

CNG Nozzle

MFCP10001005



Compact, Rugged Design

- Rugged design
- Aluminum cover protects the vent tube from damage
- Light weight
- Customizable end configurations:
 - Compression (Parker A-Lok)
 - ORFS
 - JIC
 - Pipe
- Custom branding available
- Quantity discounts

Nozzle & Nozzle Dock

ANS1/CSA/NGV1 standard refueling nozzles for public or private use. Can be classified as Type 2 or 3, for use in both fast-fill or time-fill service. Non-marring polyurethane sleeve products vehicle body from surface damage.

Situated on the fueling station, our NGVND nozzle dock holds the nozzle when not in use, keeping it clean and readily accessible.

Simple, Familiar Process

1. Attach the nozzle to the vehicle
2. Power up the pump
3. Turn the valve to ON
4. Fill the tank
5. Turn the valve to OFF
6. Power off the pump
7. Turn the valve to vent (Depressurizes the system)
8. Disconnect



5CNG High-Pressure CNG Hose

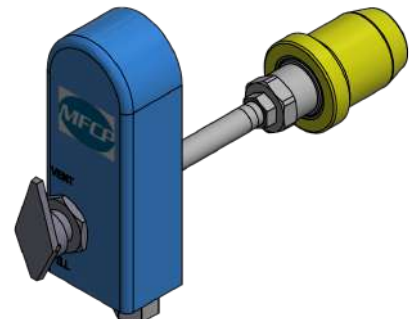
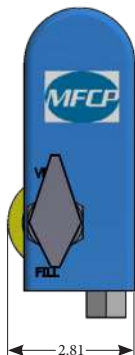
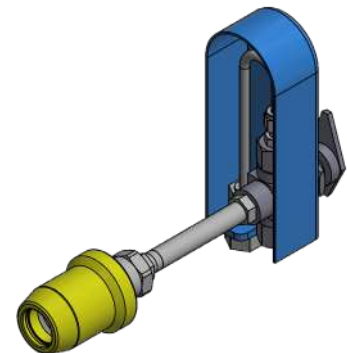
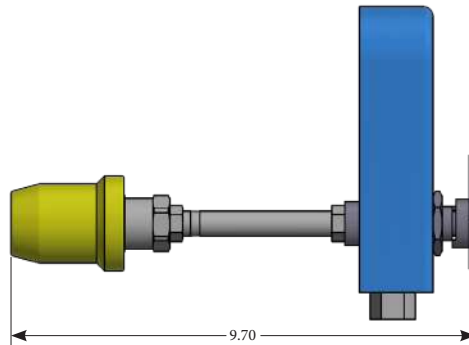
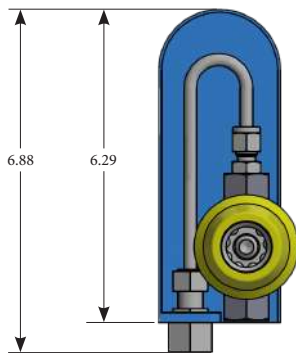
Flexible, lightweight hose serves as primary conveyance of CNG in all areas of the vehicle system up to the firewall. Class Assemblies rated to 1500F (650 C) and Class D assemblies rated to 1850F (850 C), both at 5,000 psi (345 bar).

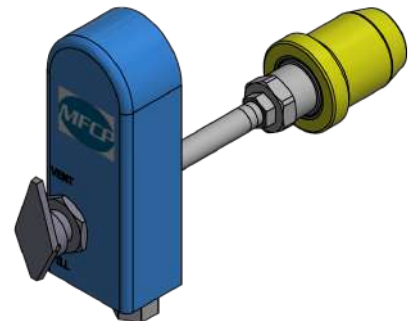
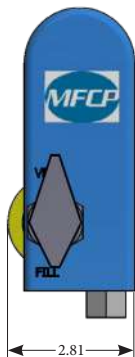
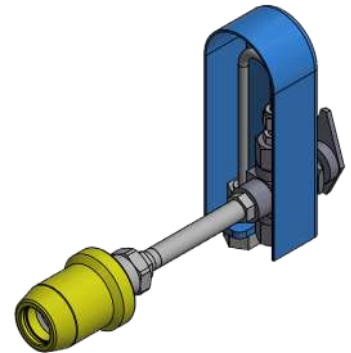
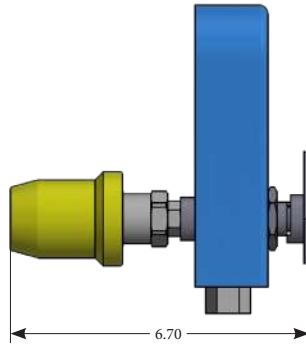
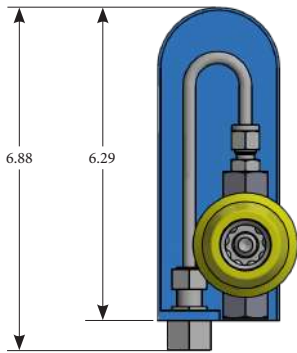
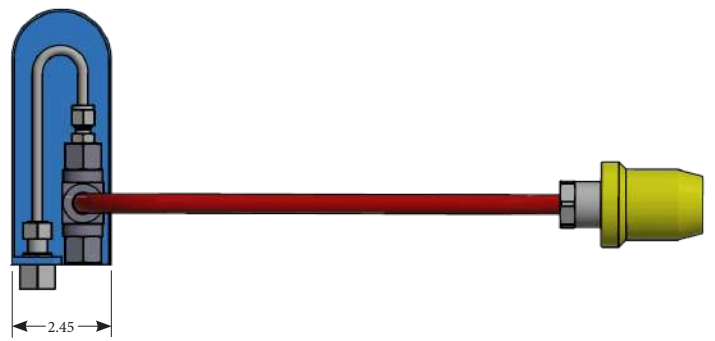
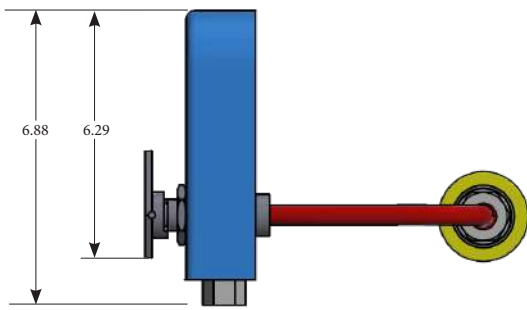
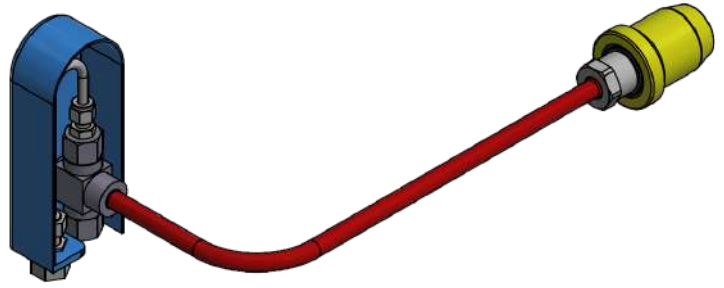
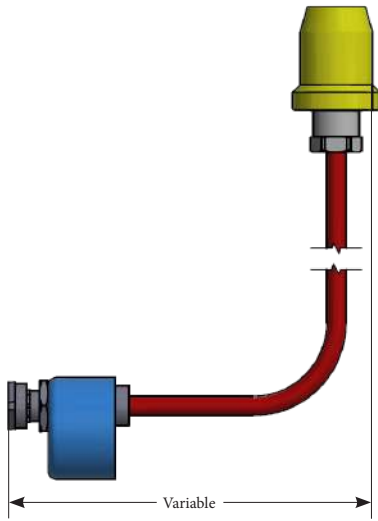
- Conforms to and listed per: ANSI/CS NGV4.2-2014 and CSA 12.52-2014
- Electrically conductive
- Dampens vibration and noise
- Up to 0% lighter than rigid tubing
- Very flexible; easy to install with faster routing and simple maintenance
- Robust hose design resists fatigue, corrosion, and environmental effects

SS23CG Low Pressure CNG Hose

CNG compatible low-pressure, rubber covered hose with nylon inner tube. High temperature rated to 2500F (1210 C) at 425 psi (29 bar). Flexible with a small bend radius for easy routing.

- CAN / CGA-8.1 <86 Type III
- Meets UL 21 588,569 specifications
- Meets ECERI 10/R67 specifications







Products

Actuators, Stages & Cylinders
Automation Components
Compressed Air Equipment
Controls
Drives & Motors
Electrical

Filtration
Gauges & Measurement
Hose, Tubing & Fittings
Hydraulics
Machine Safety
Mobile & Truck

Pneumatics
O-Rings & Seals
Sensors & Switches
Tools & Assembly
Vacuum
Valves



Services

Seal Kitting Services
Hose Kitting Services
Cylinder Interchanges
Hydraulic Component Repair
Tube Bending and Fabrication
Rental Units/Equipment

Vendor Managed Inventory



Engineered Solutions

Control Systems & Enclosures
Standard Hydraulic Power
Units
Custom Hydraulic Power
Units
Custom Hydraulic Manifolds

Pneumatic Systems &
Assemblies
Seal Engineering
System Installation
System Design
Schematics

Custom Machine Guarding
Workstations & Workcells



Technologies

Automation
Compressed Air & Pneumatics
Controls/Control Panel
Electromechanical
Filtration
Hose, Tubing & Fittings

Hydraulics
Mobile Controls &
Hydraulics
Machine Safety
Seals & Engineered
Materials

Industrial Hose



Locations

We support our customers in the Western United States with a growing number of locations. When you visit one of our ParkerStores, you can count on quick, friendly service from one of our store professionals.

All of our ParkerStores stock products provide hose assemblies while you wait, adapters, and many Parker fluid connector products. Individual stores offer additional products and services to support the industries in their specific locations.