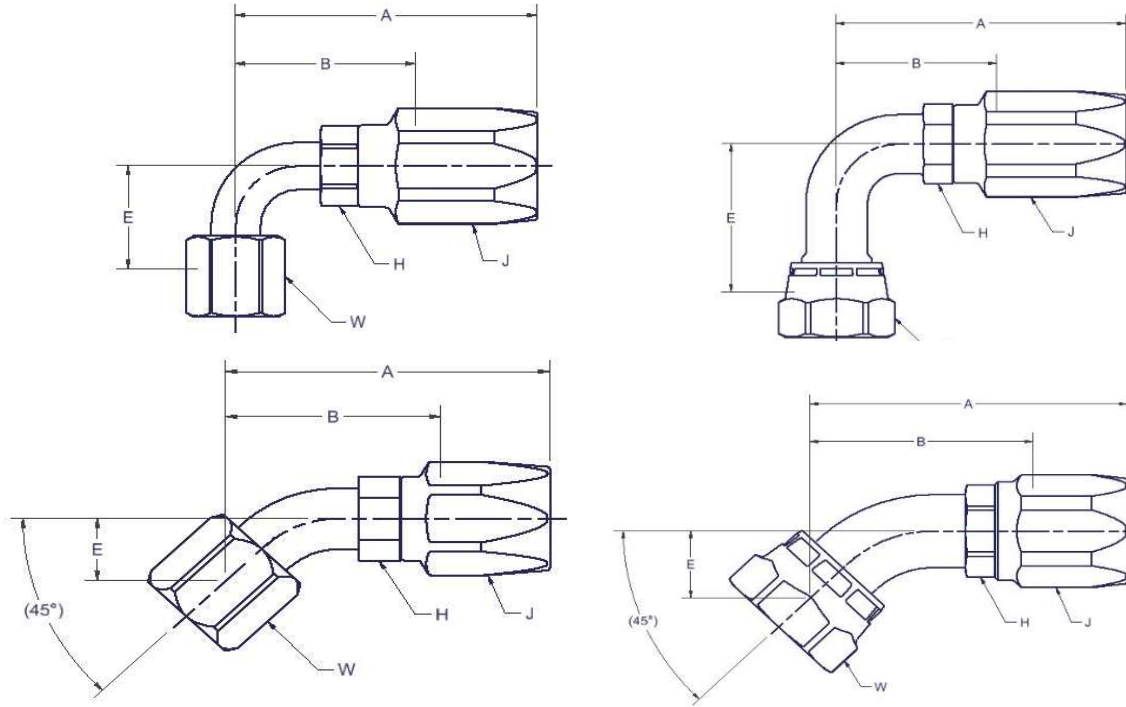


# Dimensional Changes for Parker 20, 21 & 30 Series Monoblock Crimp Fittings

## 20, 21, and 30 Series Monoblok™ Fittings: Slip-On and Crimp Designs

Slip On Nut:

Crimp Nut:



20 SERIES CATALOG DIMENSIONS

Part No.	Constr.	A		B		E		H Hex	J Hex	W Hex
		mm	Inch	mm	Inch	mm	Inch	Inch	Inch	Inch
23920-5-5	Existing	58	2.28	37	1.47	20	0.77	7/16	11/16	5/8 (Slip-On)
	Monoblok	58	2.28	37	1.47	21	0.83	1/2	11/16	5/8 (Crimp)
23920-10-10	Existing	81	3.20	50	1.98	31	1.24	3/4	1-1/8	1
	Monoblok	81	3.20	50	1.98	32	1.26	7/8	1-1/8	1
24120-10-10	Existing	83	3.27	52	2.05	66	2.58	3/4	1-1/8	1
	Monoblok	83	3.27	52	2.05	70	2.76	7/8	1-1/8	1
2J120-8-8	Existing	74	2.93	48	1.88	64	2.52	5/8	15/16	15/16
	Monoblok	74	2.93	48	1.88	64	2.52	3/4	15/16	15/16
2J120-10-10	Existing	83	3.27	52	2.05	70	2.76	3/4	1-1/8	1-1/8
	Monoblok	83	3.27	52	2.05	70	2.76	15/16	1-1/8	1-1/8
2J920-10-10	Existing	80	3.16	49	1.94	32	1.26	3/4	1-1/8	1-1/8
	Monoblok	81	3.20	20	1.98	32	1.26	15/16	1-1/8	1-1/8
23720-5-5	Existing	58	2.28	37	1.47	9	0.36	7/16	11/16	5/8 (Slip-On)
	Monoblok	60	2.36	39	1.55	10	0.39	1/2	11/16	5/8 (Crimp)
23720-10-10	Existing	85	3.35	54	2.14	17	0.65	3/4	1-1/8	1
	Monoblok	85	3.35	54	2.14	16	0.63	7/8	1-1/8	1

20, 21, and 30 Series Monoblok™ Fittings – Table 1: Dimensional Changes

**20, 21, and 30 Series Monoblok™ Fittings – Table 1: Dimensional Changes (Continued)**

**21 SERIES CATALOG DIMENSIONS**

Part No.	Constr.	A		B		E		H Hex	J Hex	W Hex
		mm	Inch	mm	Inch	mm	Inch	Inch	Inch	Inch
23921-5-5	Existing	53	2.07	34	1.33	20	0.77	7/16	5/8	5/8 (Slip-On)
	Monoblok	53	2.07	34	1.33	21	0.83	1/2	5/8	5/8 (Crimp)
23921-8-8	Existing	63	2.49	40	1.57	28	1.09	5/8	7/8	7/8 (Slip-On)
	Monoblok	63	2.49	40	1.57	29	1.14	11/16	7/8	7/8 (Crimp)
23921-10-10	Existing	68	2.69	43	1.69	31	1.23	3/4	1-1/16	1 (Slip-on)
	Monoblok	71	2.78	45	1.78	32	1.26	7/8	1-1/16	1 (Crimp)
24121-10-10	Existing	74	2.91	49	1.91	65	2.57	3/4	1-1/16	1 (Slip-on)
	Monoblok	74	2.91	49	1.91	70	2.76	7/8	1-1/16	1 (Crimp)
23721-5-5	Existing	53	2.07	34	1.33	9	0.36	7/16	5/8	5/8 (Slip-On)
	Monoblok	55	2.18	37	1.44	10	0.39	1/2	5/8	5/8 (Crimp)
23721-8-8	Existing	68	2.73	46	1.81	14	0.55	5/8	7/8	7/8 (Slip-On)
	Monoblok	71	2.79	47	1.87	15	0.59	11/16	7/8	7/8 (Crimp)
23721-10-10	Existing	75	2.97	50	1.97	16	0.63	3/4	1-1/16	1 (Slip-on)
	Monoblok	75	2.97	50	1.97	16	0.63	7/8	1-1/16	1 (Crimp)

**30 SERIES CATALOG DIMENSIONS**

Part No.	Constr.	A		B		E		H Hex	J Hex	W Hex
		mm	Inch	mm	Inch	mm	Inch	Inch	Inch	Inch
2J930-6-6	Existing	74	2.91	45	1.77	2	0.091	9/16	15/16	13/16
	Monoblok	75	2.95	46	1.81	2	0.091	11/16	15/16	13/16
2J930-8-8	Existing	84	3.31	50	1.97	29	1.14	11/16	1-1/16	15/16
	Monoblok	86	3.40	52	2.06	29	1.14	3/4	1-1/16	15/16
23930-4-4	Existing	64	2.52	40	1.56	21	0.83	7/16	3/4	9/16 (Slip-On)
	Monoblok	64	2.52	40	1.56	21	0.83	7/16	3/4	9/16 (Crimp)
23930-6-6	Existing	74	2.91	45	1.77	22	0.85	9/16	15/16	11/16 (Slip-On)
	Monoblok	75	2.95	46	1.81	23	0.91	9/16	15/16	11/16 (Crimp)
23930-8-6	Existing	77	3.04	48	1.90	28	1.09	11/16	15/16	7/8 (Slip-On)
	Monoblok	80	3.13	51	1.99	29	1.14	11/16	15/16	7/8 (Crimp)
23930-8-8	Existing	84	3.31	50	1.97	28	1.09	11/16	1-1/16	7/8 (Slip-On)
	Monoblok	86	3.40	52	2.06	29	1.14	11/16	1-1/16	7/8 (Crimp)
23930-10-8	Existing	88	3.46	54	2.12	31	1.24	13/16	1-1/16	1
	Monoblok	90	3.53	56	2.19	32	1.26	7/8	1-1/16	1
23930-12-12	Existing	98	3.86	62	2.43	46	1.81	15/16	1-3/8	1-1/4
	Monoblok	98	3.86	62	2.43	48	1.89	1"	1-3/8	1-1/4
23730-6-6	Existing	76	3.01	47	1.87	10	0.40	9/16	15/16	11/16 (Slip-On)
	Monoblok	76	3.01	47	1.87	11	0.43	9/16	15/16	11/16 (Crimp)
23730-8-8	Existing	90	3.55	56	2.21	14	0.55	11/16	1-1/16	7/8 (Slip-On)
	Monoblok	90	3.55	56	2.21	15	0.59	11/16	1-1/16	7/8 (Crimp)