

## Product Overview

**End of Arm  
Tooling Solutions**

**Tool Changers | End-of-Arm Tooling |  
Vacuum Products**



## Built on a Strong Foundation



Grippers, Rotaries and Linear Slides

Indexers, Positioners, and Conveyors

End Effectors and Vacuum Products

Manual and Pneumatic Clamps

Sheet Metal Grippers

Power Clamping and Locating

Destaco, a Dover company, is a global leader in the design and manufacture of high-performance automation, workholding and remote-handling solutions. The company serves customers in a variety of end-markets, including the automotive, life sciences, consumer packaged goods, aerospace, industrial and nuclear sectors.

Built on a legacy of more than 100 years, Destaco offers a comprehensive portfolio of products designed to engineer precise movement, placement and control solutions that drive productivity and uptime for manufacturers around the world. The Destaco family of products consists of industry-leading brands such as Destaco Manual Clamps, Power Clamps, and End Effectors; CAMCO™ and Ferguson™ Indexers; Robohand™ Grippers; and CRL™ Manipulators and Transfer Ports.

Destaco is based in Auburn Hills, Michigan, U.S.A. The company has more than 800 employees with 13 locations, in 9 countries, across the Americas, Europe and Asia.

Destaco is part of Dover Corporation, a diversified global manufacturer with annual revenues of \$7 billion. The company delivers innovative equipment and components, specialty systems and support services through four major operating segments: Energy, Engineered Systems, Fluids, and Refrigeration & Food Equipment. Headquartered in Downers Grove, IL, (NYSE: DOV)

More information is available at [destaco.com](http://destaco.com) and [dovercorporation.com](http://dovercorporation.com)

## Focusing all of our Resources

### New Product Development

Destaco has dedicated resources to design and build the next generation of end effector products and solutions

### Customer Service and Technical Support

Destaco has industry leading global support to address any product and application concerns you may have

### Design Tools

Destaco provides an extensive CAD library, sizing software, and online tools to support our global customers



## Our Insight Working for You

### Application Engineering

We utilize our expertise and complete portfolio of products to create solutions that fit our customers' needs and applications

### Custom Solutions

If our off-the-shelf solutions don't fit, we will partner with our customers to develop products that will



#### CLICK OR SCAN

To view PDFs of the following literature:














Full Catalog



Visual Selection Guide

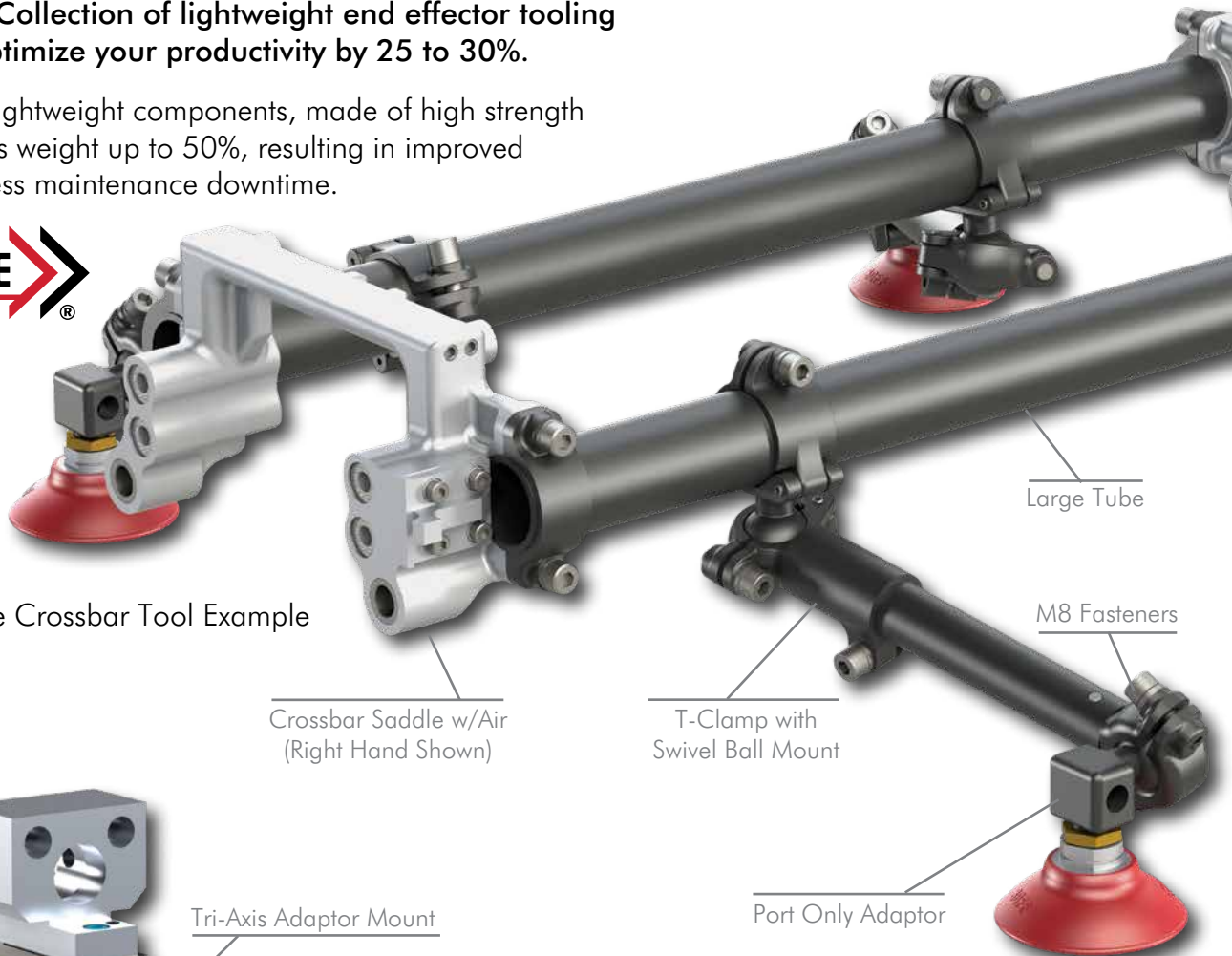
## Features, Markets and Applications

 SPEED	<ul style="list-style-type: none"> <li>Speed matters - Destaco end effectors are designed to help you move parts faster in today's production line by using high strength, lightweight aluminum modular components, durable vacuum cups and the fastest venturis on the market.</li> </ul>	 TRANSPORTATION	 STAMPING
 LIGHTWEIGHT	<ul style="list-style-type: none"> <li>Lightweight material - All tooling components are constructed from lightweight aircraft aluminum for improved safety and ergonomics when setting or storing end effectors.</li> </ul>	 INDUSTRIAL	 ASSEMBLY
 INTERCHANGEABLE	<ul style="list-style-type: none"> <li>Ease of use - Modular components allow changes to the end effector in minutes, greatly reducing maintenance time and start up time to launch.</li> </ul>	 AEROSPACE	 WELDING
		 FOOD & PACKAGING	 MOLDING

ACCELERATE® COLLECTION

The Accelerate® Collection of lightweight end effector tooling is designed to optimize your productivity by 25 to 30%.

This collection of lightweight components, made of high strength aluminum, reduces weight up to 50%, resulting in improved ergonomics and less maintenance downtime.



Saddle Crossbar Tool Example

Crossbar Saddle w/Air (Right Hand Shown)

T-Clamp with Swivel Ball Mount

Large Tube

M8 Fasteners

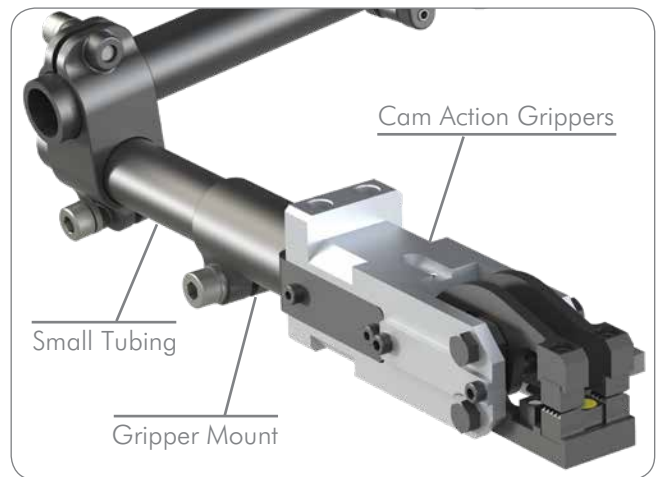
Port Only Adaptor



Tri-Axis Adaptor Mount

M8 Fasteners

Single End Extension



Cam Action Grippers

Small Tubing

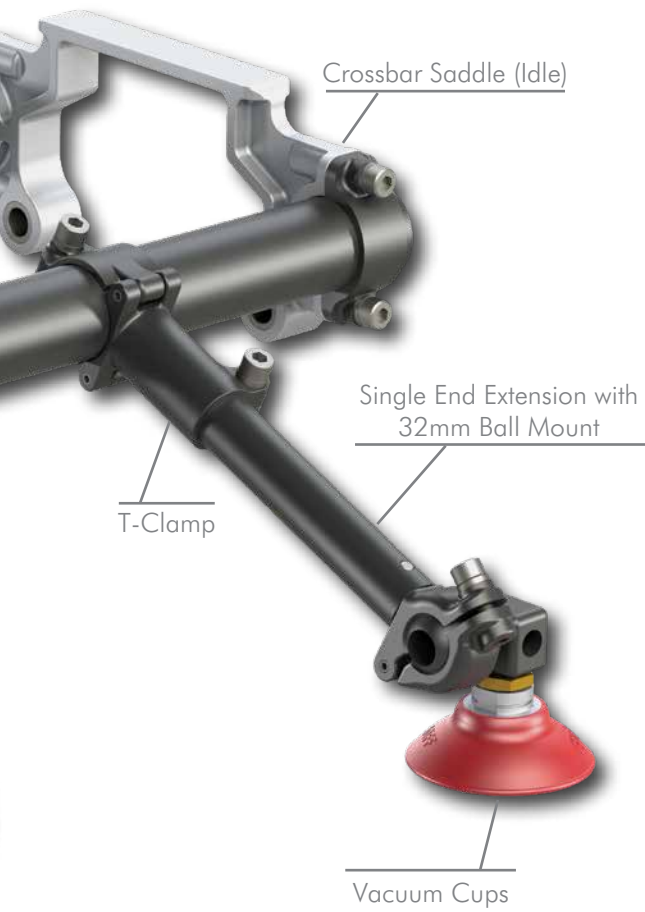
Gripper Mount

Cross Clamp

Single End Extension with 32mm Ball Mount

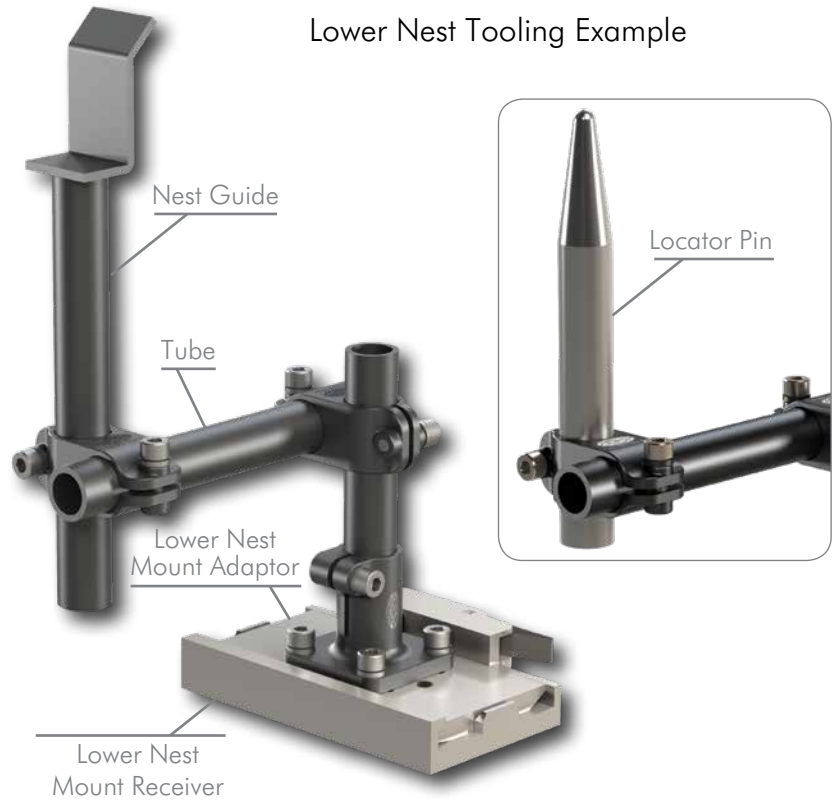
Shovel with 32mm Ball

Tri-Axis Tool Example



**Most commonly used in:**

Applications	Markets
<ul style="list-style-type: none"> <li>• Load and Unload</li> <li>• Hi-Speed Automation</li> <li>• Crossbar Transfer</li> <li>• Tri-Axis Transfer</li> <li>• Material Handling</li> </ul>	<ul style="list-style-type: none"> <li>• Automotive</li> <li>• Transportation</li> <li>• Plastic Injection Molding</li> </ul>



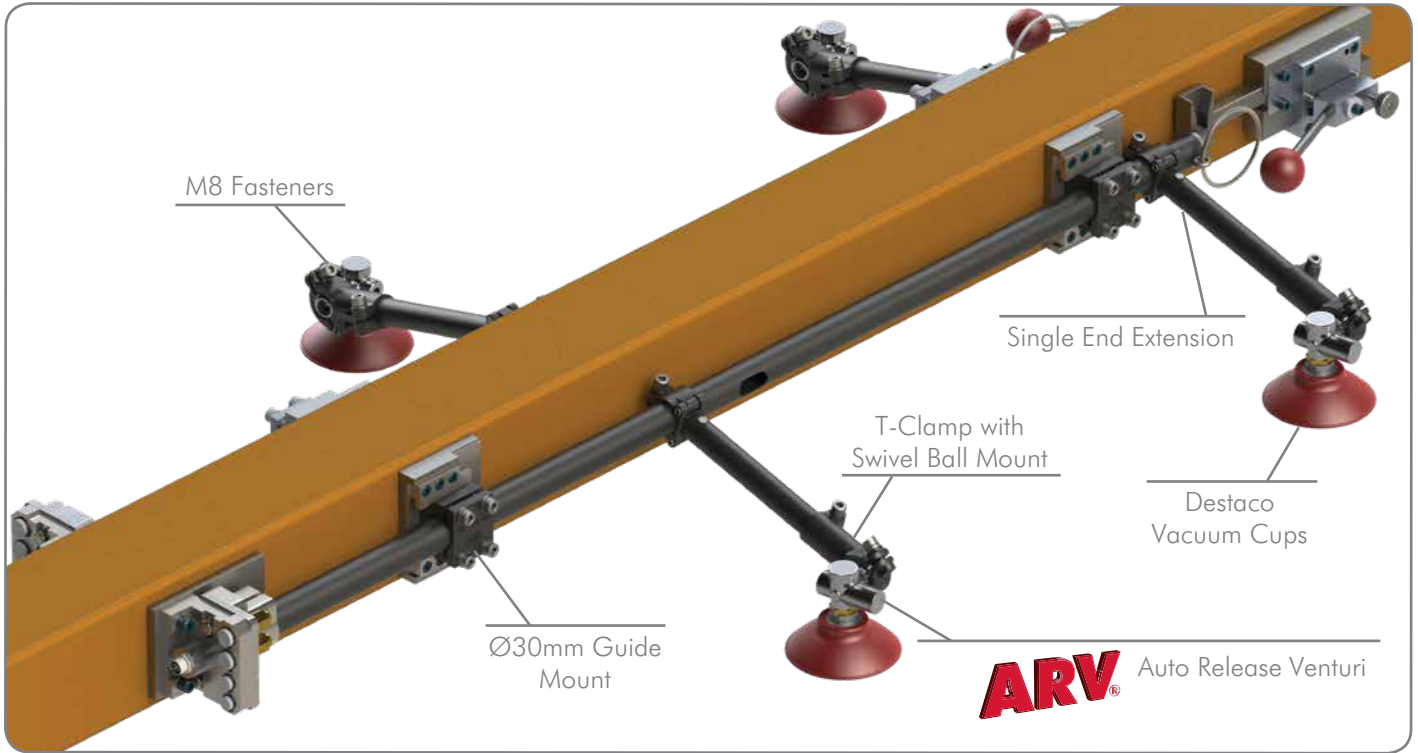
Designed to **Accelerate**  
Your Productivity

The Accelerate Collection will help you move parts faster in today's production line.

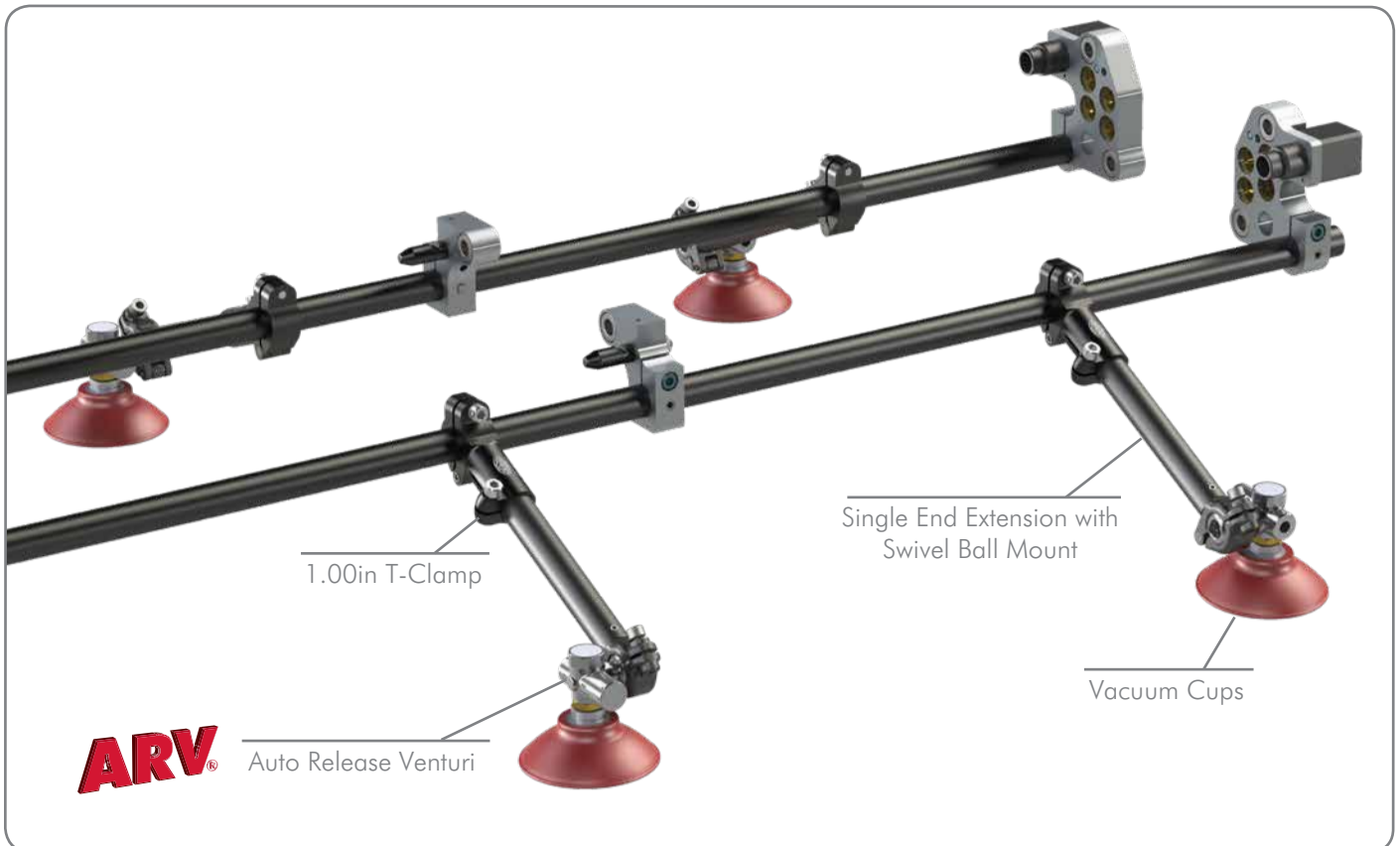
Destaco offers local support throughout Europe, Asia, North and South America.



Interpress Crossbar with Accelerate Tooling

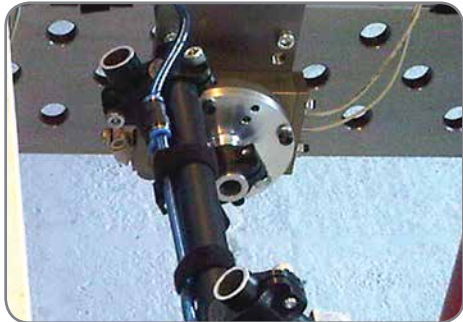
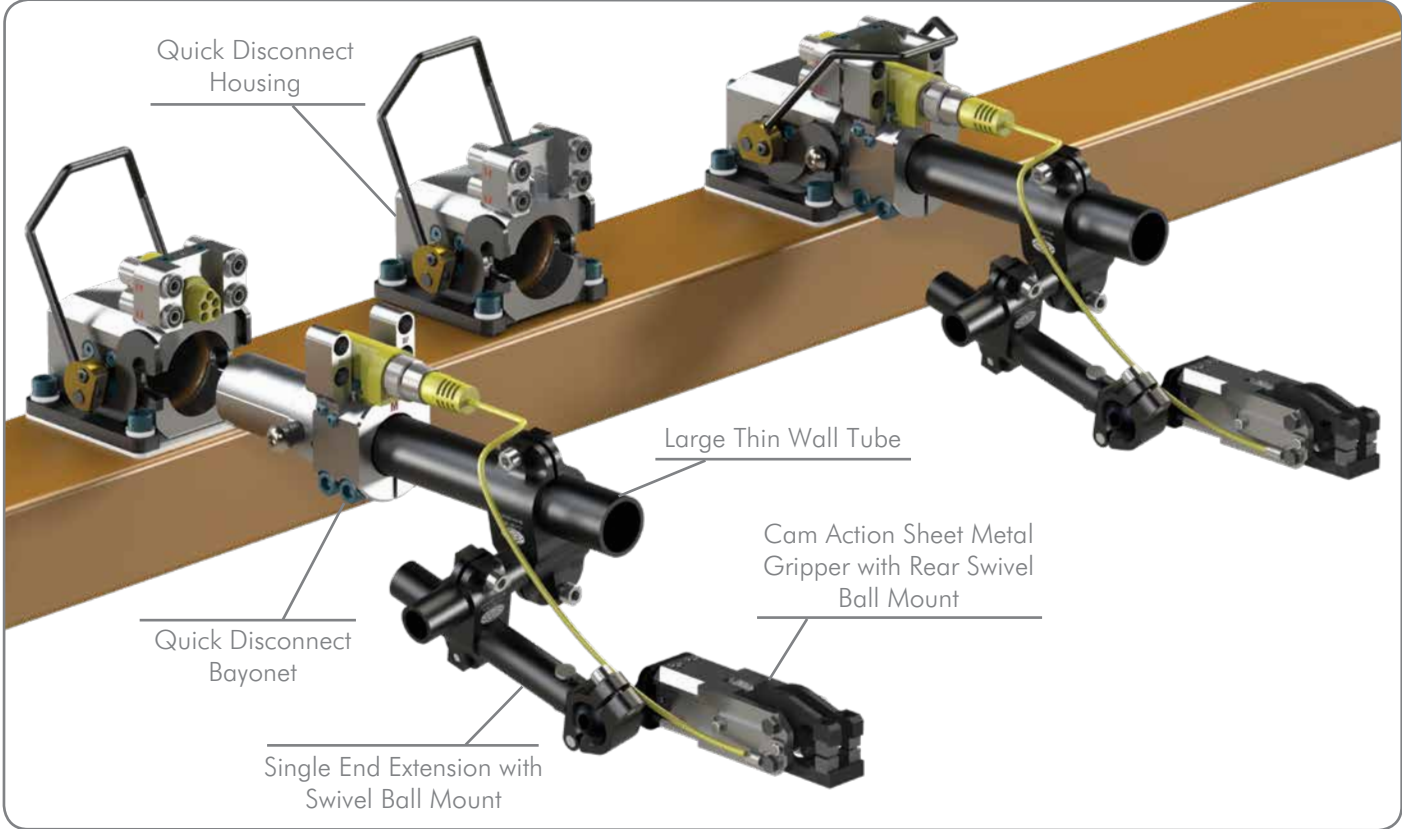


Split Saddle Crossbar with Accelerate Tooling





Tri-Axis Transfer with Accelerate Tooling

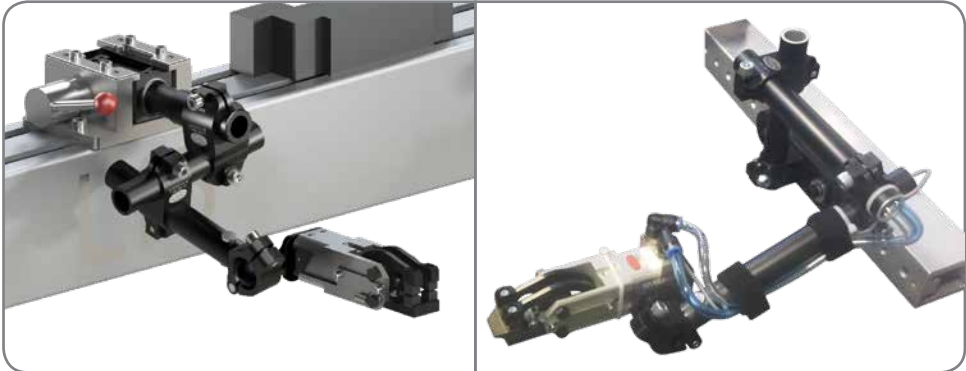


Standard rotary tip unit with Accelerate® tooling

Most commonly used in:

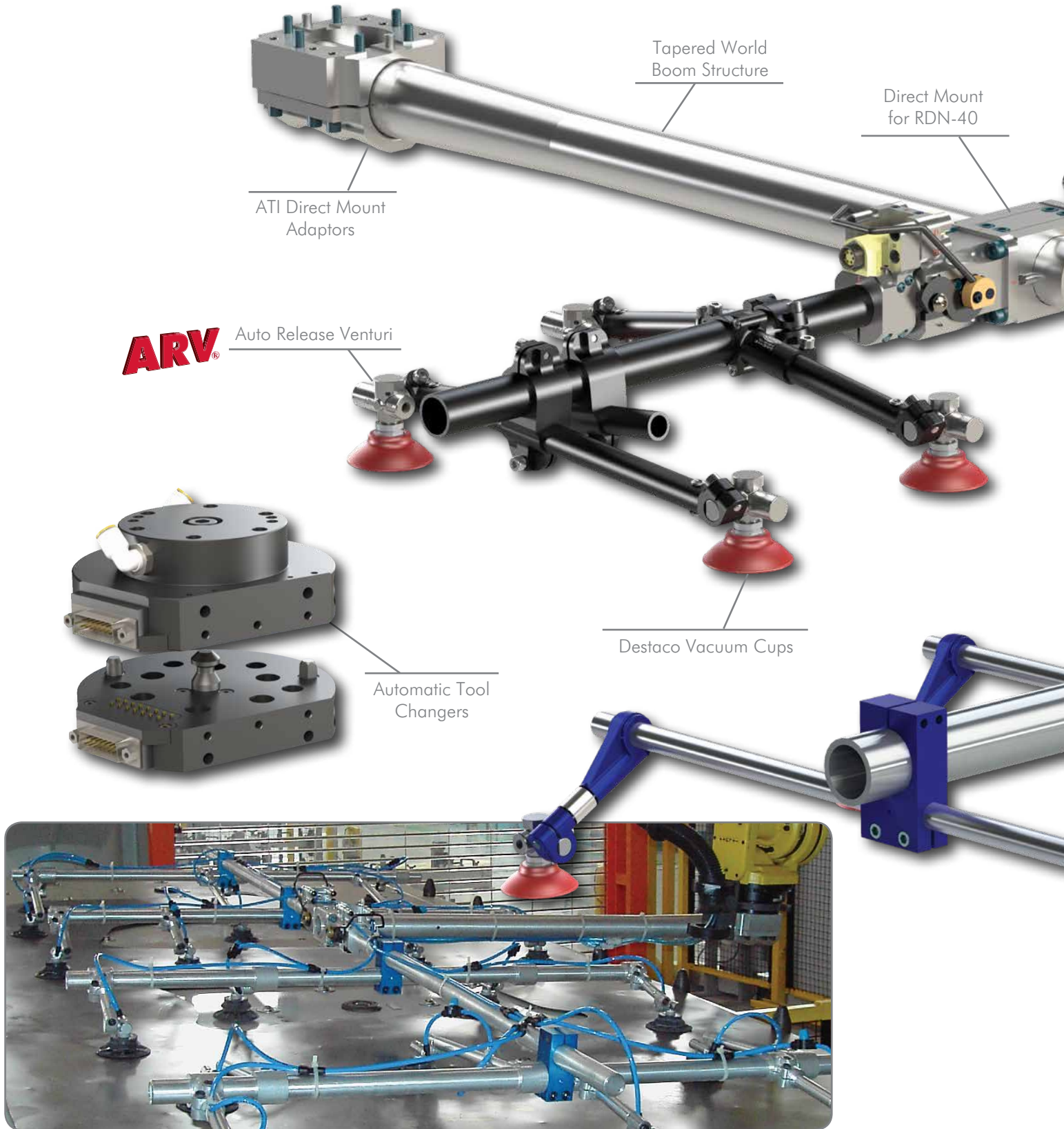
Applications	Markets
<ul style="list-style-type: none"> <li>• Load and Unload</li> <li>• Hi-Speed Automation</li> <li>• Crossbar Transfer</li> <li>• Tri-Axis Transfer</li> <li>• Material Handling</li> </ul>	<ul style="list-style-type: none"> <li>• Automotive</li> <li>• Transportation</li> <li>• Plastic Injection Molding</li> </ul>

The Accelerate Collection provides a lightweight and flexible tooling configuration equipped to handle parts of any size and shape throughout the stamping process.



# WORLD TOOL BOOM SYSTEM

Destaco's world tool components are configured to handle parts of any size and shape, and can be re-used for future applications.





Round tooling components are used in combination with the Accelerate® Collection for lightweight tooling solutions



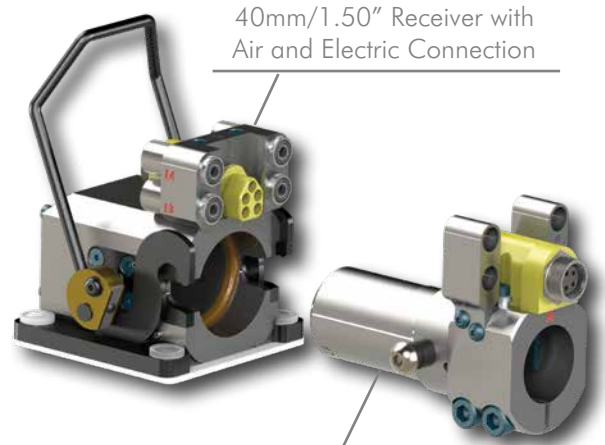
**Most commonly used in:**

Applications	Markets
• Load and Unload	• Automotive
• Pick and Place	• Industrial
• Material Handling	• Appliance
• Hot Forming	• Plastics



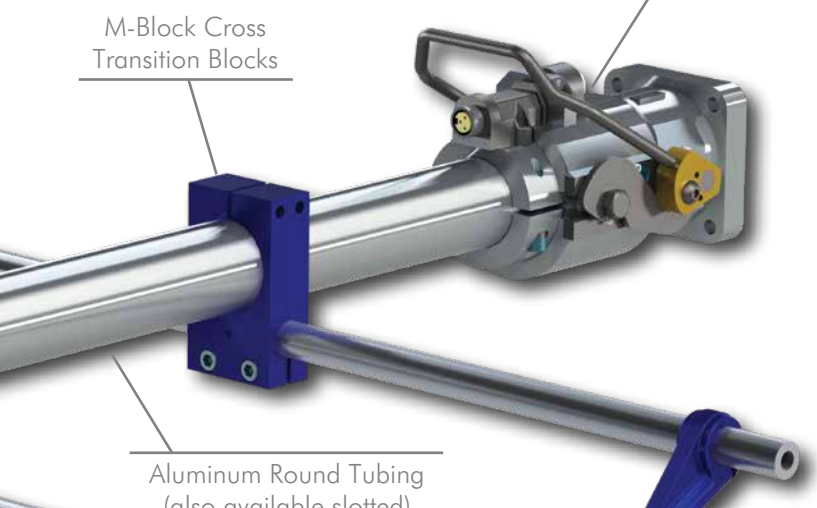
40mm/1.50" Quick Disconnect

60mm/2.50" Quick Disconnect with Electric Connection



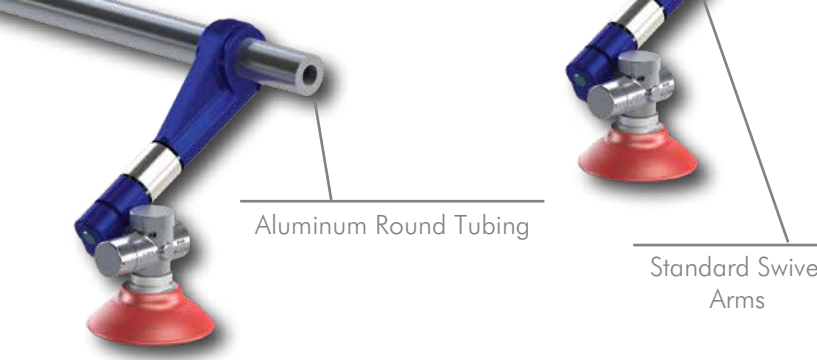
40mm/1.50" Receiver with Air and Electric Connection

40mm/1.50" Receiver with Air and Electric Connection



M-Block Cross Transition Blocks

Aluminum Round Tubing (also available slotted)



Aluminum Round Tubing

Standard Swivel Arms

**Hot Forming Solutions**

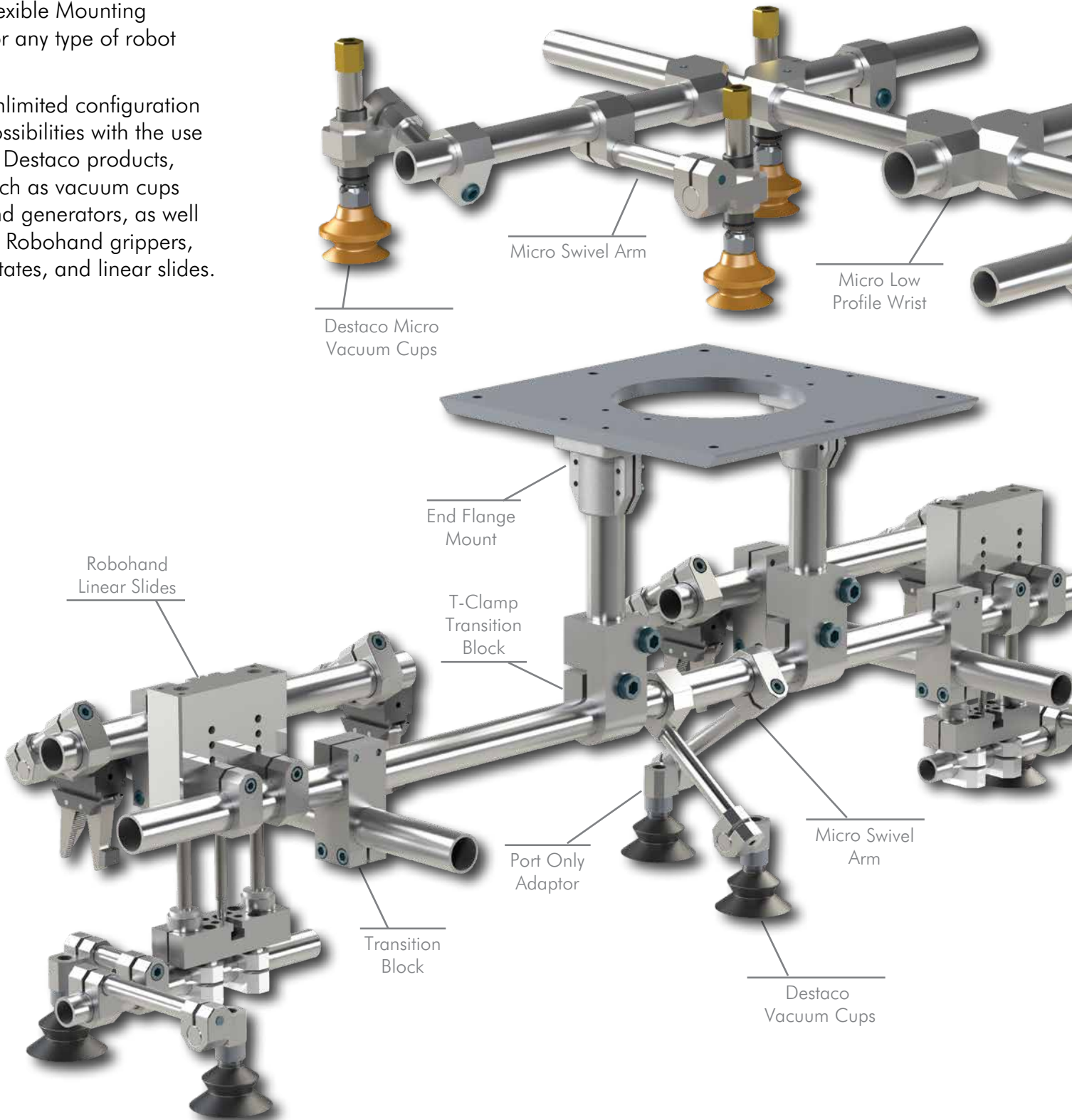


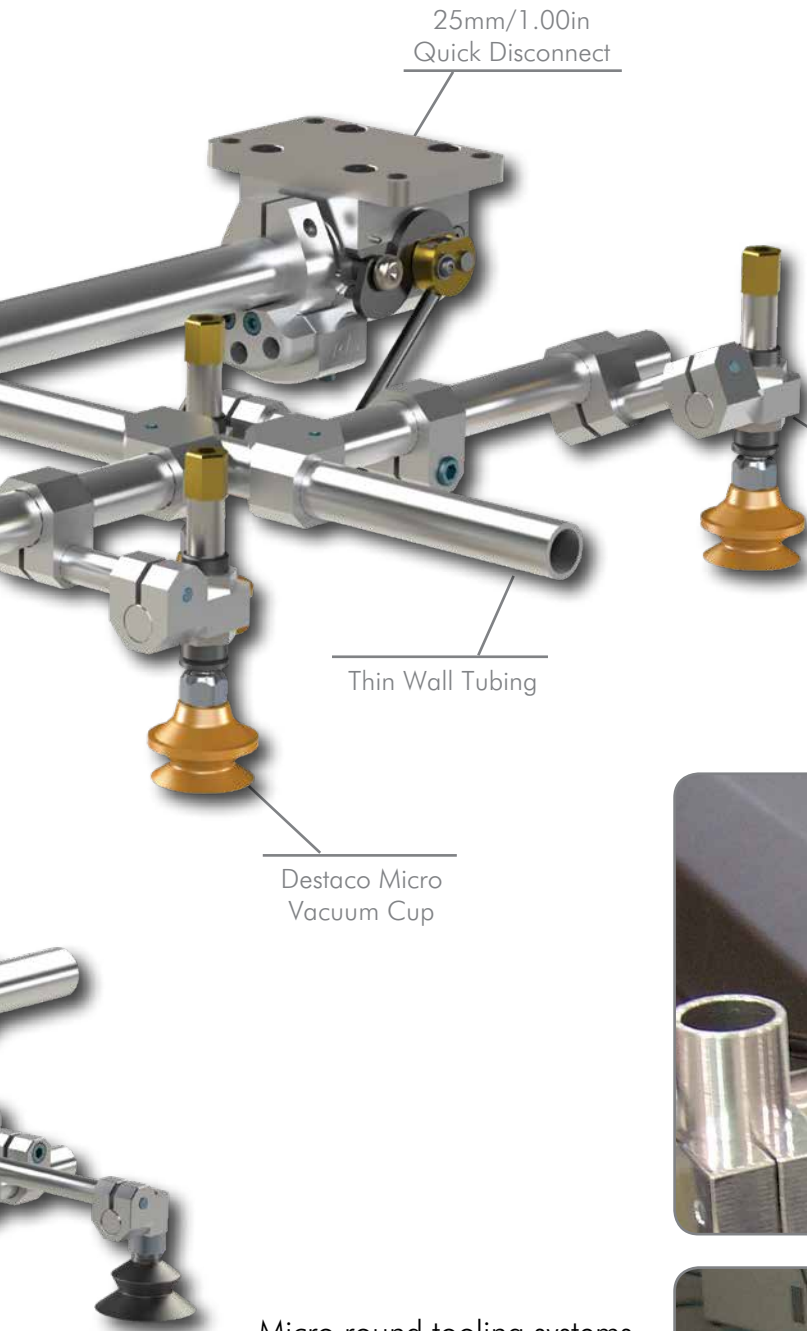
## MICRO ROUND TOOLING COMPONENTS

A family within the traditional round tooling system, micro tooling components are made from lightweight aluminum with thin wall tubing. This system is designed to handle small, lightweight parts, plastic injection mold unloading, and unusual shaped objects.

Flexible Mounting  
For any type of robot

Unlimited configuration possibilities with the use of Destaco products, such as vacuum cups and generators, as well as Robohand grippers, rotates, and linear slides.

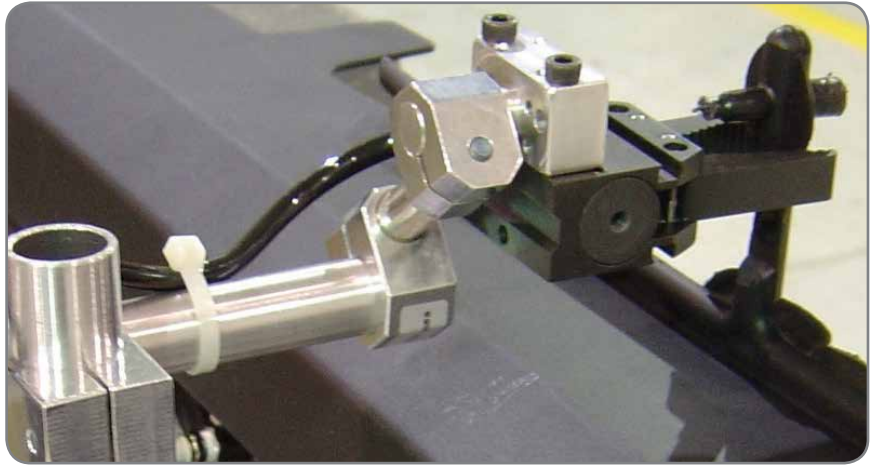




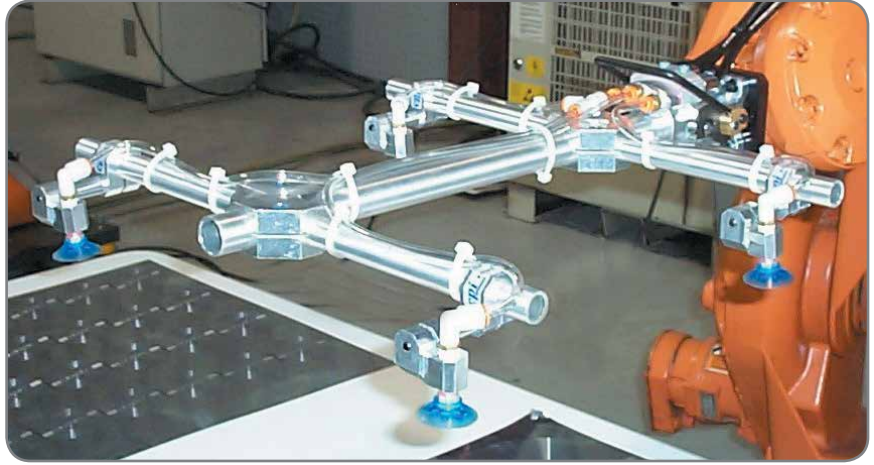
**Most commonly used in:**

Applications	Markets
<ul style="list-style-type: none"> <li>• Pick and Place</li> <li>• Material Handling</li> <li>• Plastic Injection</li> <li>• Vision/Testing</li> </ul>	<ul style="list-style-type: none"> <li>• Medical</li> <li>• Industrial</li> <li>• Consumer</li> <li>• Food and Packaging</li> </ul>

The Micro Tooling system can be used with Destaco's award winning, world's first electric vacuum cup.



Micro round tooling systems can be permanently mounted to the robot with a direct mount or with manual or automatic tool changers. Optional quick disconnect air ports provide a simple connection point for air supply when changing between different tooling configurations.

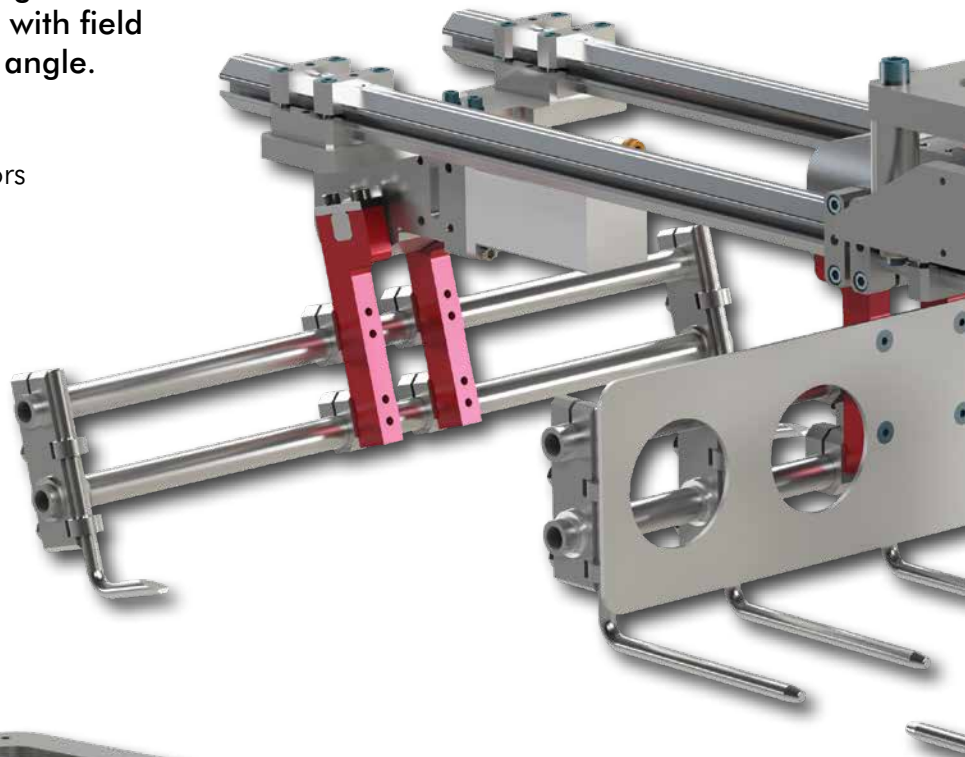


## BAG GRIPPER AND PALLETIZING SOLUTIONS

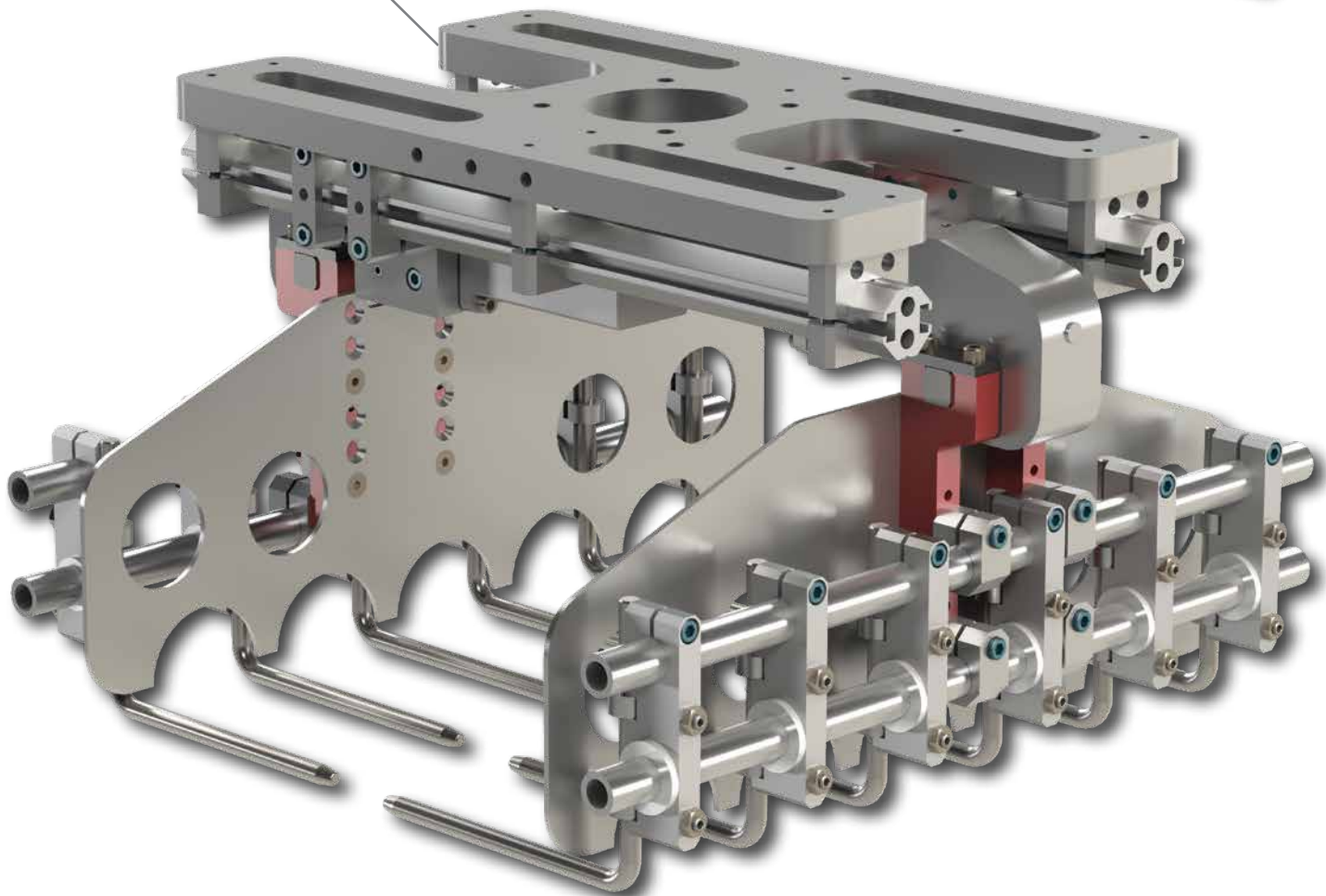
Destaco bag gripper end effector solutions offer end of line pick and place and palletizing solutions. The DBG Series has a simplified design with field adjustable finger position and opening angle.

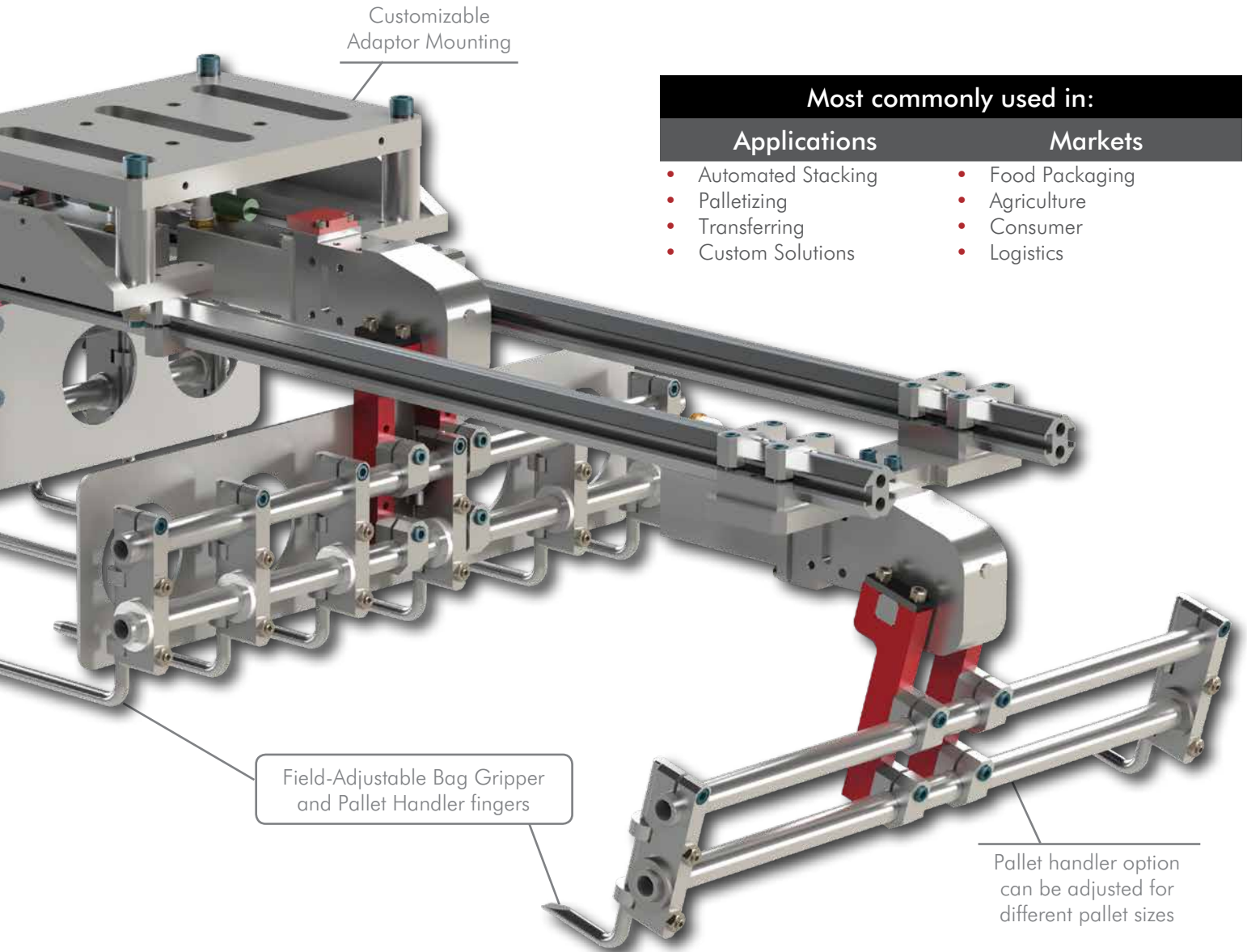
Features also include:  
Pneumatic or electric fully enclosed actuators  
Integrated open/closed position sensors  
Standard off-the-shelf components

Two sizes available:  
DBG50 (50lb Max Load)  
DBG100 (100lb Max Load)



Customer Specified  
Robot Mounting Pattern





**Most commonly used in:**

**Applications**

- Automated Stacking
- Palletizing
- Transferring
- Custom Solutions

**Markets**

- Food Packaging
- Agriculture
- Consumer
- Logistics

Destaco DBG Series bag gripper also features optional integrated slip sheet and pallet handling. Products are held secure even if air pressure is lost.

With rapid actuation, the DBG can palletize up to 30 bags per minute when working in concert with robotic automation.

Destaco also provides custom design and build solutions for handling any packaging transfer and palletizing needs.

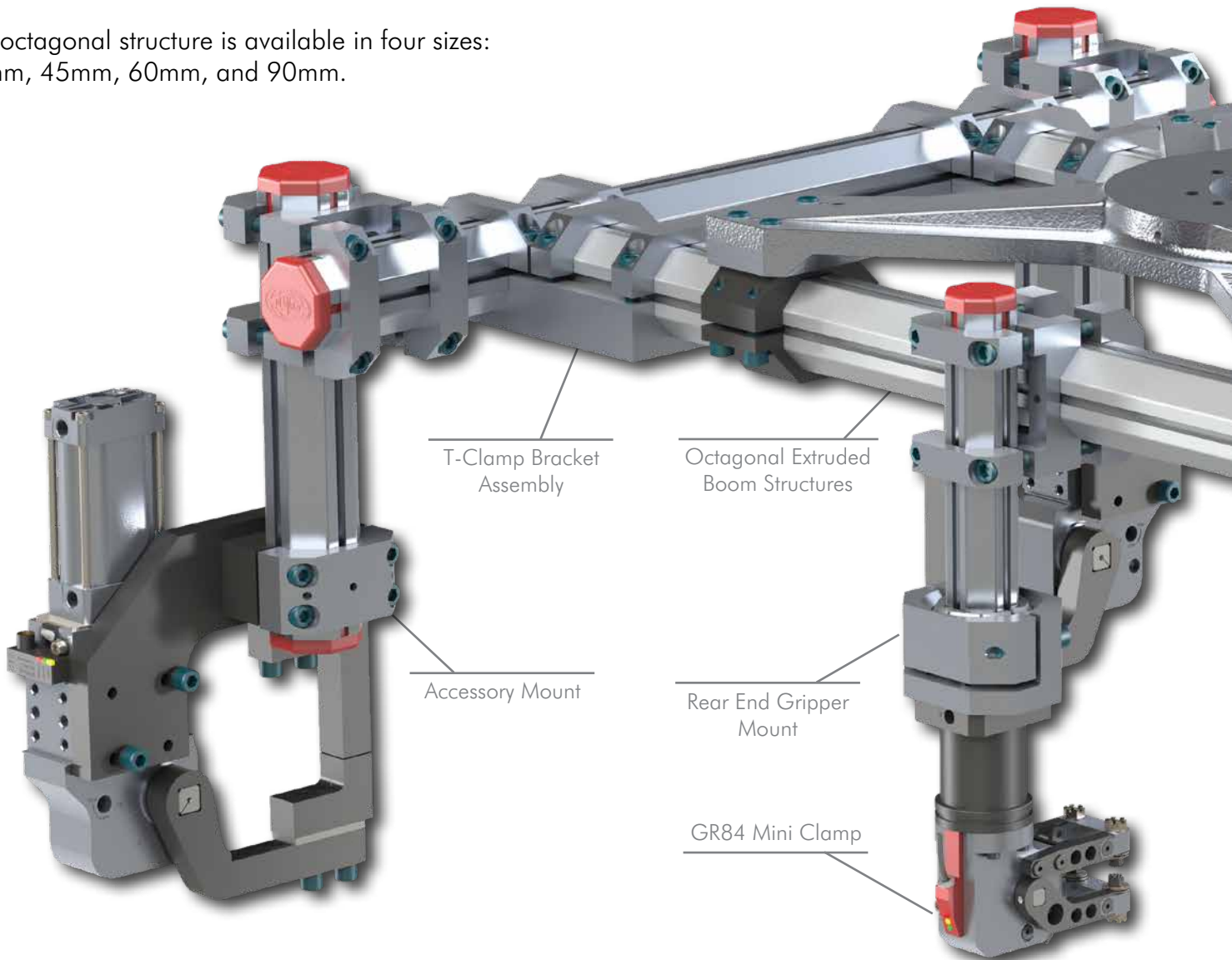


## BODYBUILDER™ OCTAGONAL END EFFECTOR SYSTEM



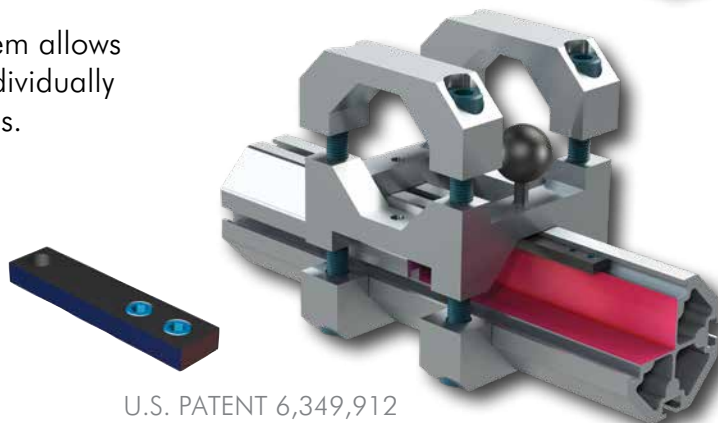
The BodyBuilder™ End Effector System is designed to maximize productivity, both before and after installation. The flexibility of the system allows modifications to the end effector in minutes, greatly reducing start up time to launch.

The octagonal structure is available in four sizes: 30mm, 45mm, 60mm, and 90mm.



The patented BodyBuilder™ Alignment System allows the modular components to be replaced individually and easily returned to their original positions.

Alignment nut(s) are included with every Bodybuilder™ modular component, utilizing the patented alignment system.





Most commonly used in:

Applications

Markets

- |  |   |
|--|---|
| <ul style="list-style-type: none"> <li>• Robot Welding</li> <li>• Pick and Place</li> <li>• Material Handling</li> <li>• Lower Nest</li> </ul> | <ul style="list-style-type: none"> <li>• Industrial</li> <li>• Automotive</li> <li>• Transportation</li> <li>• Appliance</li> </ul> |
|--|---|

Heavy Duty  
Mid Mount Assembly

M-Series Cross  
Bracket Assembly

Ready-to-assemble  
mounts and accessories  
eliminate drilling and  
welding at assembly.

82M Series Power  
Clamp

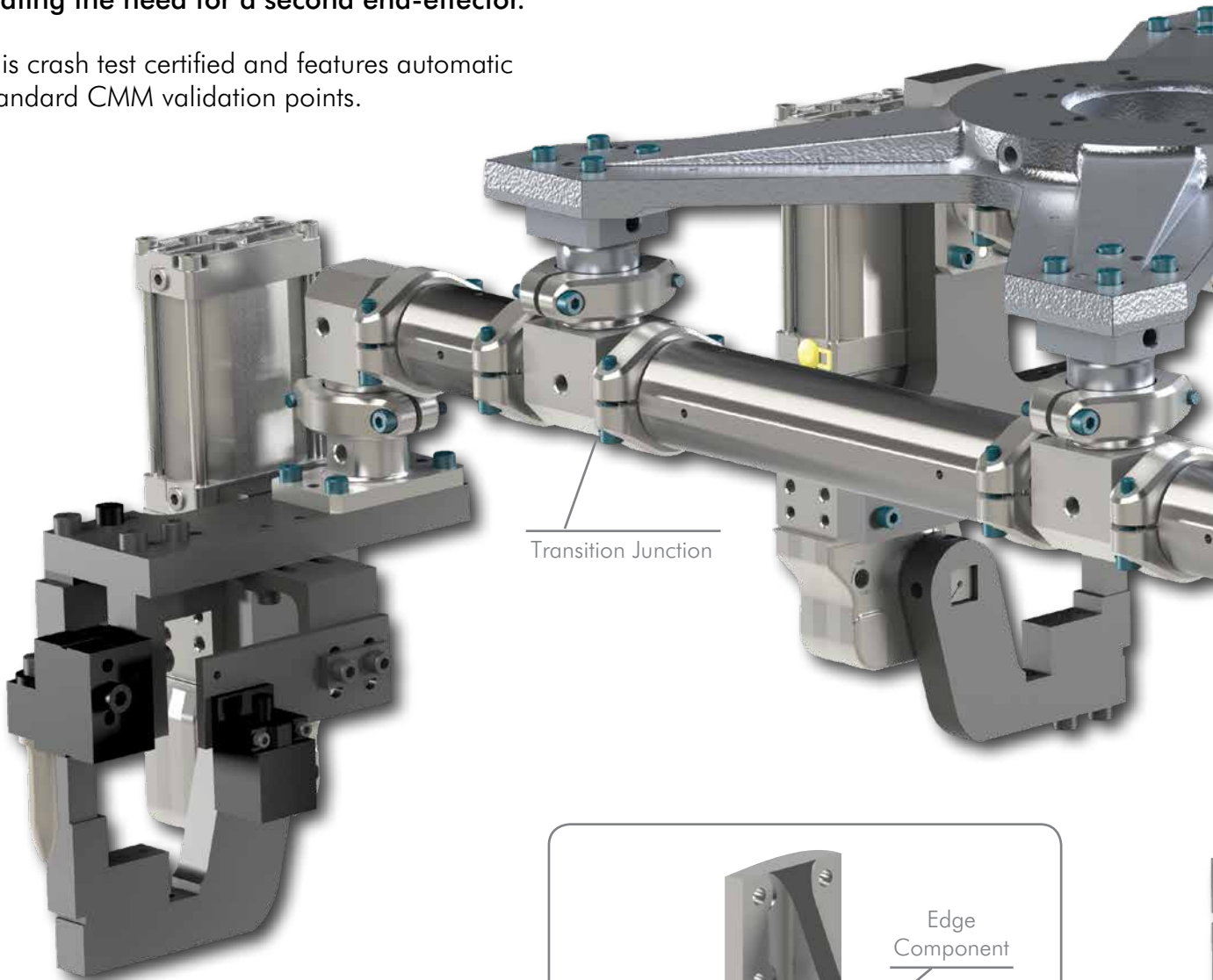


## SPIDERGRIP GEOMETRIC END EFFECTOR SYSTEM

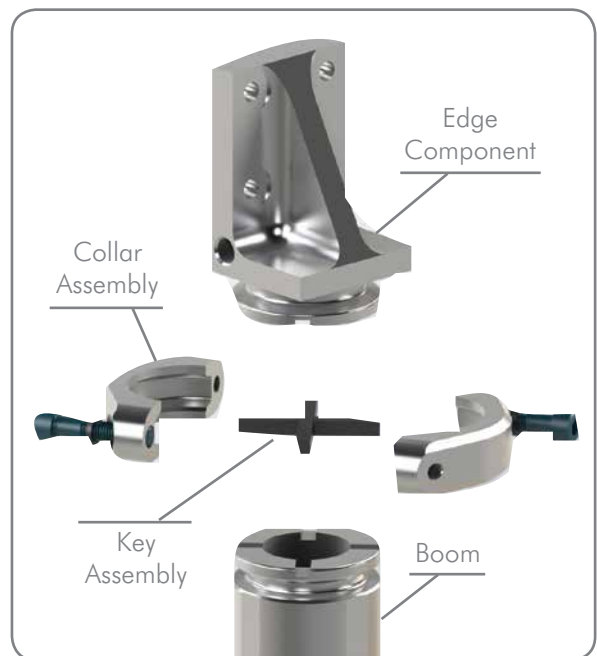
SpiderGrip Tooling System offers a standard cost effective solution by making it easy for each component to be replaced individually in the robotic cell, dramatically reducing production downtime and eliminating the need for a second end-effector.



This system is crash test certified and features automatic optical & standard CMM validation points.



Transition Junction

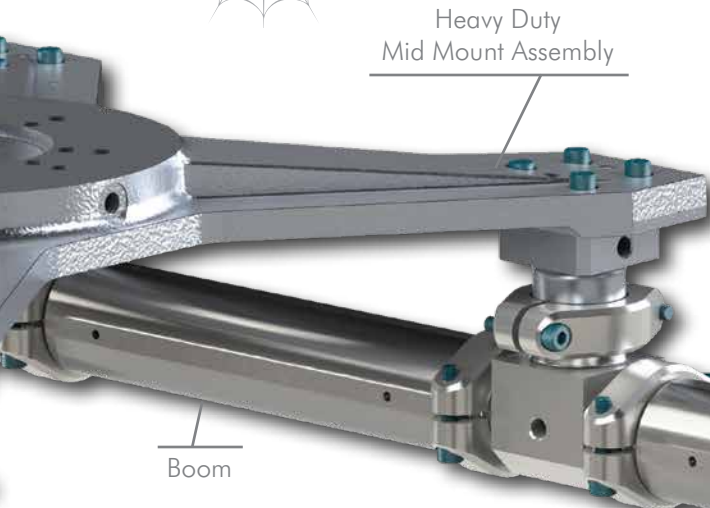


Spidergrip modular components are easily configurable and offer high strength to weight ratios while maintaining dimensional accuracy after continuous minor collisions. The patented collar/key design and engineered breakaway base anchor provides quick crash recovery.





# SPIDERGRIP GEOMETRIC END EFFECTOR SYSTEM



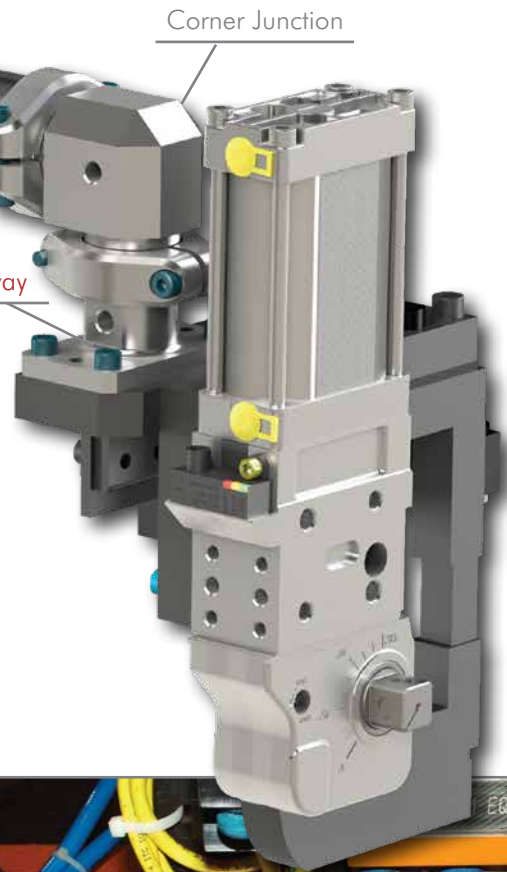
Heavy Duty  
Mid Mount Assembly

Boom



82M Series  
Power Clamp

Base Anchor  
Engineered Breakaway



Corner Junction

## Most commonly used in:

Applications	Markets
<ul style="list-style-type: none"> <li>• Fixture Welding</li> <li>• Pick and Place</li> <li>• Material Handling</li> <li>• Geometric Fixtures</li> </ul>	<ul style="list-style-type: none"> <li>• Industrial</li> <li>• Automotive</li> <li>• Aerospace</li> <li>• Appliance</li> </ul>



## VACUUM SOLUTIONS

Destaco Vacuum Cups can be ordered in different types, sizes, materials and durometers to be used in a broad array of applications, ranging from sheet metal handling to plastics to glass.



Destaco also provides vacuum cups for extreme temperatures and hot-forming applications



EcoCup™ is the world's first electric vacuum cup, creating vacuum without air.

The EcoCup™ is ideal for pick-and-place applications of flat, rigid, non-porous parts, including plastic, glass, and other consumer goods with smooth, flat surfaces.



ARV® - the original, patented Auto-Release Venturi offers users the fastest vacuum and blow-off in the industry with single line operation, integrated blow-off and built-in exhaust silencer. Mounting options include right or left hand apple core mounting or no apple core mount for use with Destaco's spring cup mounts.

Destacker Double Blank Detectors (DBD) allows compliance to blanks within  $\pm 15^\circ$  without needing to adjust the robot, automation or tooling.

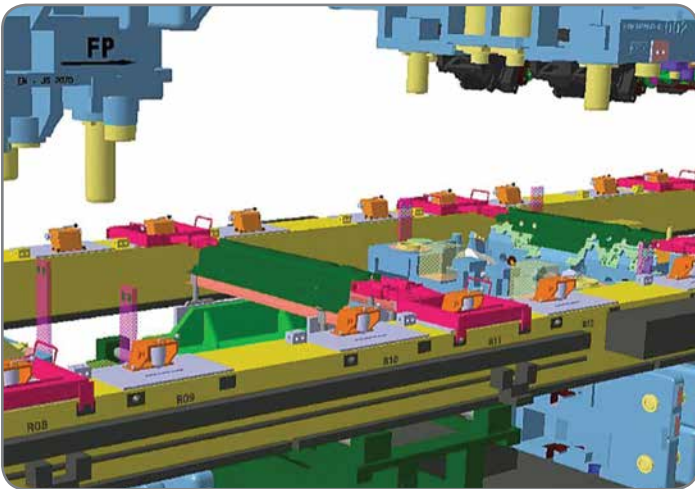


The launch of our new accelerate light weight tooling in 2013 was specific for the new generation fast press lines but usable as backwards retrofit to all older standards. Today, more customers are asking for an integrated digital supply package. Digital build allows us to manufacture tools without a stage sample or 2D drawings.



We partner with our customers to provide designs for all press types:

- Servo press
- Robot crossbar
- Feeder crossbar
- Speedbar
- Robot tandem
- Tri-axis transfer



### Digital Press Shop and Virtual Assembly

- 3D model design and collision checking of die, press, automation, and tooling
- Digital simulation using Delmia
- Precise build capability using robot technology<sup>①</sup>
- Tool qualification using metrology<sup>①</sup>
- Installation using own physical simulation and install teams

① Where Available





## GLOBAL LOCATIONS

### NORTH AMERICA

#### Corporate Headquarters

Auburn Hills, Michigan  
Toll Free: 1.888.DESTACO  
Marketing: [marketing@destaco.com](mailto:marketing@destaco.com)

#### Global Technology Center

Auburn Hills, Michigan  
Tel: 1.248.836.6700  
Customer Service: [customerservice@destaco.com](mailto:customerservice@destaco.com)

Mt. Juliet, Tennessee  
Tel: 1.888.DESTACO  
Customer Service: [customerservice@destaco.com](mailto:customerservice@destaco.com)

Wheeling, Illinois  
Tel: 1.800.645.5207  
Customer Service: [camco@destaco.com](mailto:camco@destaco.com)

Red Wing, Minnesota (Central Research Laboratories)  
Tel: 651.385.2142  
Customer Service: [sales@centres.com](mailto:sales@centres.com)

### ASIA

Bangkok, Thailand  
Tel: +66-2-326-0812  
Customer Service: [info@destaco.com](mailto:info@destaco.com)

Shanghai, China  
Tel: +86-21-6081-2888  
Customer Service: [china@destaco.com](mailto:china@destaco.com)

Bangalore, India  
Tel: +91-80-41123421-426  
Customer Service: [india@destaco.com](mailto:india@destaco.com)

### EUROPE

Oberursel, Germany  
Tel: +49-6171-705-0  
Customer Service: [europe@destaco.com](mailto:europe@destaco.com)

Sainte Florine, France  
Tel: +33-4-73545001  
Customer Service: [france@destaco.com](mailto:france@destaco.com)

Wolverhampton, United Kingdom  
Tel: +44-1902-797980  
Customer Service: [uk@destaco.com](mailto:uk@destaco.com)

Sant Boi de Llobregat, Spain  
Tel: +34-936361680  
Customer Service: [spain@destaco.com](mailto:spain@destaco.com)

Uithoorn, Netherlands  
Tel: +31-297285332  
Customer Service: [benelux@destaco.com](mailto:benelux@destaco.com)