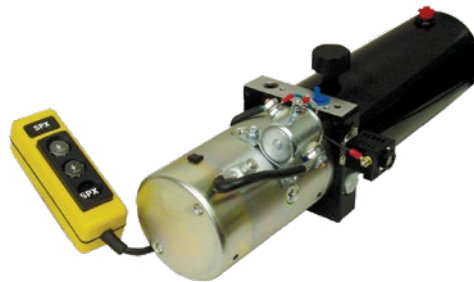


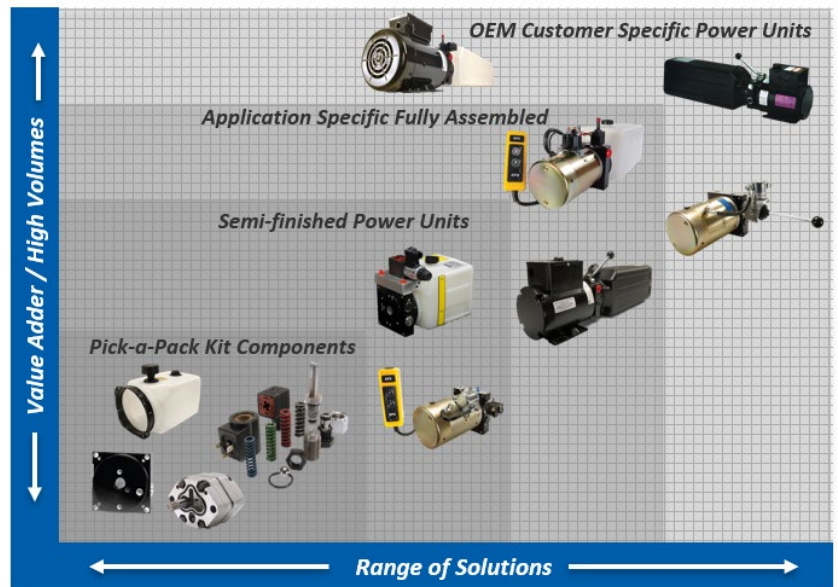
AC POWER UNITS  
DC POWER UNITS  
PICK-A-PACK PRODUCTS



Wide Range of Configured Hydraulic Power  
Units & Component Kits for Industry

# THE STONE HYDRAULIC ADVANTAGE

**Complete Versatility,  
We Offer Four Distinct  
Solutions To Best Fit  
Your Needs & Market  
Application.**

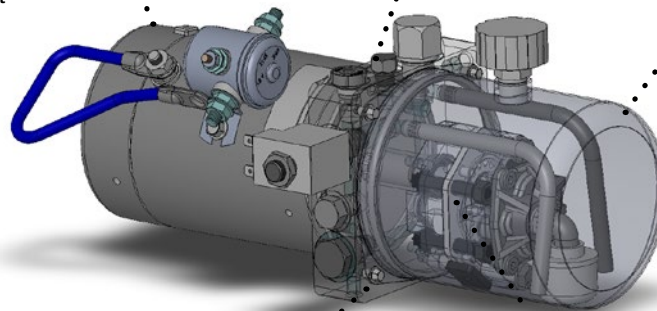


## MODULAR HIGH QUALITY AC & DC HYDRAULIC POWER

Motors offer unique benefits to the market. AC and DC versions are available in a wide range of voltages and duty cycles. Each motor is equipped with a spine shaft to increase connection point durability. (DC Motor Shown)

Valves are available in solenoid or manual actuation. Industry standard cartridge valves ensure system versatility.

Reservoirs are available in steel or plastic configurations with capacities from 3 Qt to 14 gallon.



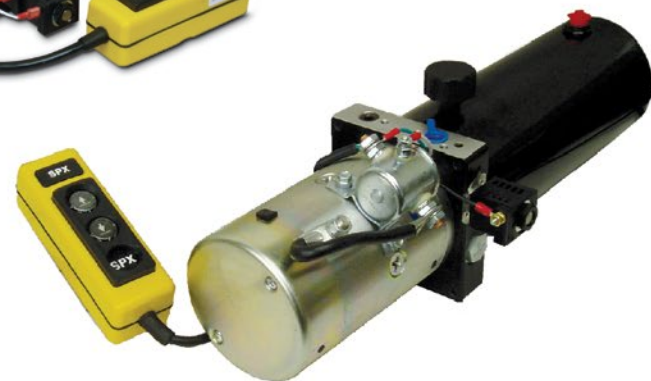
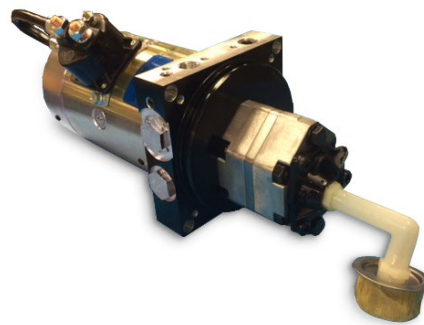
Universal End Head design's offers easy adaptability for most combination pumps, motor, reservoir, and valve assemblies.

Gear pumps are equipped with 13-tooth gears that have precision fixed clearances. Designed with hardened and ground sintered gears in high tensile strength housings.

# FACTORY ASSEMBLED UNITS

## DC UNITS SEMI-FINISHED (NO TANK)

- DC-10SF** 12V DC Manual Operated Power Up/Gravity Down
- DC-20SF** 12V DC Solenoid Operating Power Up/Gravity Down
- DC-30SF** 12V DC Check and Relief Valve Power Unit
- DC-60SFC** 12V DC Solenoid Operated Power Up/Power Down
- DC-90SF** 12V DC Relief Valve Only

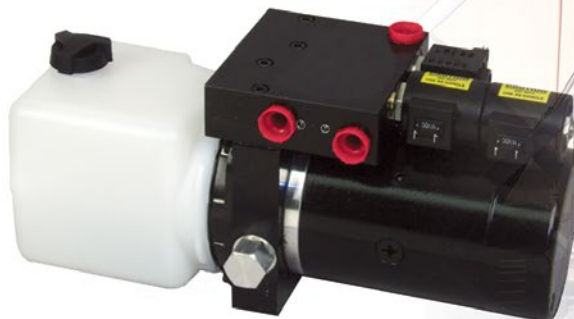




# FACTORY ASSEMBLED UNITS

## SPECIFIC APPLICATION UNITS

<b>AC-10AH</b>	230VAC 1PH Auto Hoist 2-Post Lift Power Up/Gravity Down
<b>AC-10KS</b>	230VAC 1PH Auto Hoist 2-Post Lift With Kill Switch Power Up/Gravity Down
<b>AC-10FP-A</b>	230VAC 1PH Auto Hoist 4-Post Lift Power Up/Gravity Down
<b>AC-10TC</b>	115VAC 1PH Tire Changer Power Up/Gravity Return
<b>AC-40FC</b>	115VAC 1PH Filter Crusher Power Extend/Gravity Return
<b>DC-24MH</b>	24VDC Material Handling Solenoid Operated Power Up/Gravity Down
<b>DC-70BS</b>	12VDC Bale Spike Solenoid Operated Power Up/Power Down
<b>DC-80SPC</b>	12VDC Snow Plow Solenoid Operated Power Angle & Lift/Gravity Down



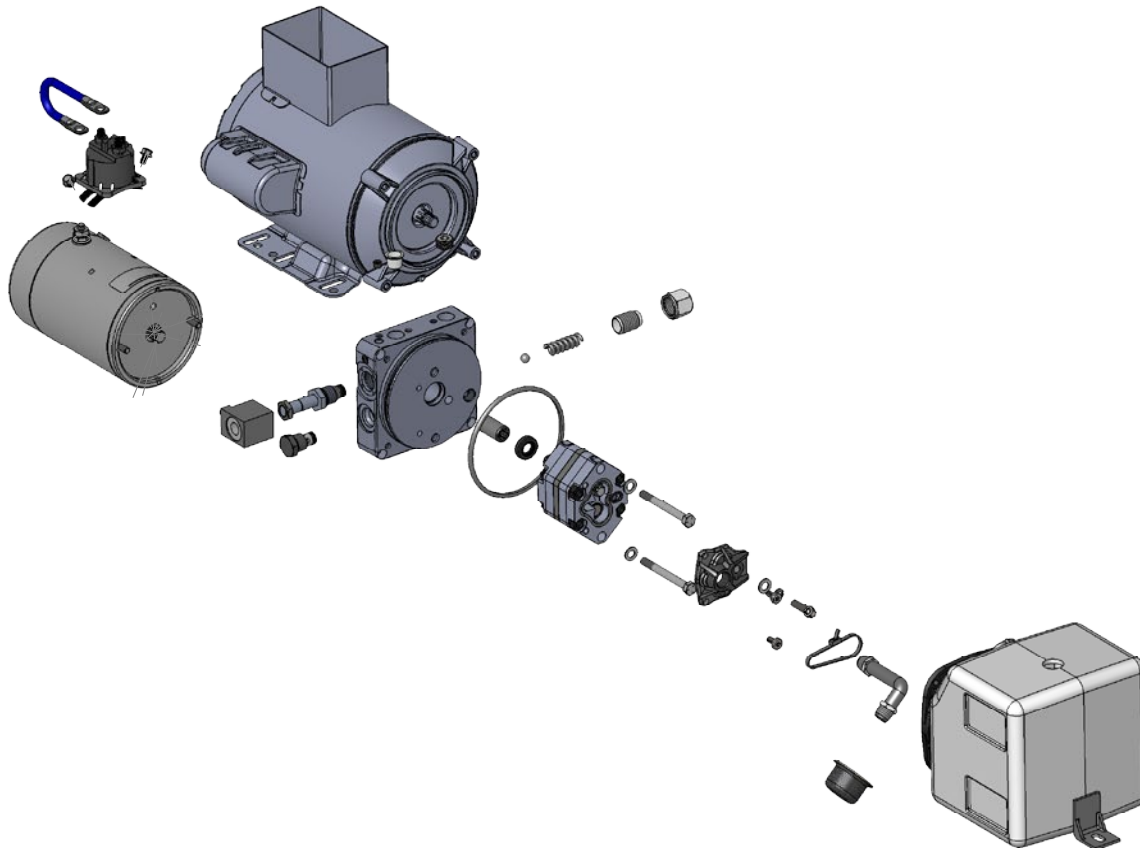
# PICK-A-PACK INTRODUCTION

The Stone Pick-A-Pack product range is based on a system of modular construction which was pioneered by Stone Hydraulics when the company was founded in 1968. This concept and the components utilized have been continuously refined and improved through the years. Today, Stone applies the most advanced manufacturing technologies and the highest quality materials and components available to provide this unique and extremely flexible product range.

## International Distributor Pick-A-Pack Product Range

This section is designed to aid the user in selecting a combination of pump, motor, reservoir, and valves which will precisely suit their needs.

All of the components in the Pick-A-Pack product range are designed to be interchangeable with mating components. All components are modular in design and the "International" endhead is the key component of this interchangeable system. Any desired combination of drive motor, pump, reservoir, and control valving can be either assembled into or manifolded onto this endhead. This is available in three configurations, with either NPTF or SAE porting.



# PICK - A - PACK PRODUCT RANGE

## POWER UNIT ORDERING CODES

1 Select - Motor / Motor Adaptor

\_\_\_\_\_

2 Select - Pump

\_\_\_\_\_

3 Select - Endhead

\_\_\_\_\_

4 Select - Integral Valve

\_\_\_\_\_

5 Select - Reservoir

\_\_\_\_\_

6 Select - Plumbing

\_\_\_\_\_

0 Select - Manifold Valve

\_\_\_\_\_

0 Select - Electrical Accessories

\_\_\_\_\_

1	2	3
Motor / Motor Adaptor	Pump	Endhead
KM_ KMC KMD KMP	KP_ KU_	KN_
 3" DC Motors		
 4.5" DC Motors	 Pumps	 Metric Footmounts with SAE or BSPP Ports
 High Power DC Motors	 HI-LO Pumps	
 Nema C AC Motors Customer Supplied		
 AC Motors	 Unload Valve Assembly	 UNC Footmounts with SAE or NPT Ports
 Adaptors		

4 Integral Valving	5 6 Reservoir / Plumbing	Optional Manifold Valves	Optional Electrical Accessories
KC_ KFC_	KR_ KH KV	KB_ KDVC	KG_ KS_
 <p>Relief Valve-Only Kit</p>  <p>Relief and Check Valve Kit</p>  <p>Relief, Check, Manual NC Valve Kit</p>  <p>Relief, Check, 12VDC, 24VDC, 115VAC, 230VAC, Solenoid NC Valve Kit</p>  <p>Flow Control</p>	 <p>Steel Reservoir 4.75" (120mm) Diameter</p>  <p>Steel Reservoir 6.7" (170mm) Offset</p>  <p>Plastic Reservoir 5.0" (127 mm) Square</p>  <p>Plastic Reservoir 6.7" (170 mm) Offset</p>  <p>Industrial Reservoir</p>  <p>Vertical Inlet Plumbing</p>  <p>Horizontal Inlet Plumbing</p>	 <p>D03 Cetop Valve Adapter</p>  <p>Manifold Cartridge Valves</p>  <p>Manifold Valve Blocks</p>	 <p>Cord Set: Options</p> <ul style="list-style-type: none"> <li>▪ Power Up, Gravity Down</li> <li>▪ Power Up, Power Down (1) Solenoid</li> <li>▪ Power Up, Power Down (2) Solenoids</li> </ul>  <ul style="list-style-type: none"> <li>▪ 12 &amp; 24VDC Start Solenoids</li> </ul>



# PICK - A - PACK PRODUCT RANGE

## AC MOTORS

### KMC16 1HP

3450 RPM, 1PH  
115/230V 60HZ

### KMC17 2HP

3450 RPM, 1PH  
115/230V 60HZ

### KMC18 3HP

3450 RPM, 3PH  
230/460VAC 60HZ

### KMC19 3HP

3450 RPM, 3PH  
230/460V 60HZ

### KMC20 5HP

3450 RPM, 3PH  
230/460V 60HZ

### KMC21 1/2 HP

1725 RPM, 1PH  
115/230V

### KMC22 1/2 HP

1725 RPM, 3PH  
230/460V 60HZ

### KMC23 1 HP

1725 RPM, 1PH  
115/230V 60HZ

### KMC24 1HP

1725 RPM, 3PH  
230/460V 60HZ

## ADAPTORS

### KM96

182/184  
NEMA CFACE

### KM97

56/143/145  
NEMA CFACE

## DC MOTORS

KIT NUMBER	VOLTAGE	DUTY	UL RECOGNIZED
KM05	12 VDC	500W	YES
KM06	24 VDC	500W	YES
KM08	12 VDC	800W	YES
KMD1	12V	STANDARD	NO
KMD2	12V	STANDARD	YES
KMD3	12V	EXTENDED	NO
KMD4	24V	EXTENDED	NO
KMD5	24V	STANDARD	YES
KMD6	24V	STANDARD	NO



# PICK - A - PACK PRODUCT RANGE

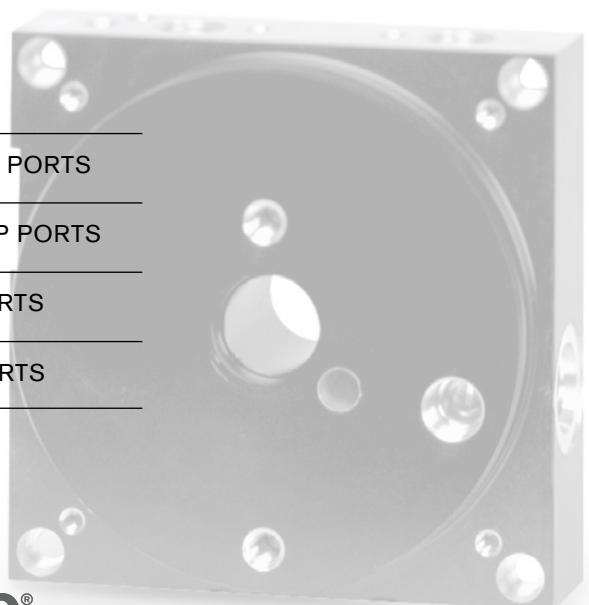
## PUMPS

KIT NUMBER	DISPLACEMENT		LENGTH		MAX RPM	MAXIMUM PRESS	
	CC REV	CIPR	MM	INCH		CONT. PSI/BAR	INTERMIT PSI/BAR
<b>KP08</b>	0.8	0.049	57	2.25	5000	4000/350	5000/350
<b>KP10</b>	1.0	0.061	58	2.28	5000	4000/350	5000/350
<b>KP12</b>	1.2	0.073	59	2.32	5000	4000/350	5000/350
<b>KP16</b>	1.6	0.098	60	2.38	5000	4000/350	5000/350
<b>KP20</b>	2.0	0.122	62	2.44	4000	4000/350	5000/350
<b>KP25</b>	2.5	0.153	64	2.52	4000	4000/350	5000/350
<b>KP31</b>	3.1	0.189	67	2.62	4000	3600/250	5000/350
<b>KP40</b>	4.0	0.244	70	2.75	4000	3000/200	4000/280
<b>KP50</b>	5.0	0.305	74	2.90	4000	2300/160	3200/220
<b>KP63</b>	6.3	0.384	79	3.11	3200	1800/125	2500/175
<b>KP80</b>	8.0	0.488	86	3.37	2400	1500/100	2000/140

Kit includes washers and mounting bolts. Use all washers. Mounting bolts are grade 5.  
**DO NOT SUBSTITUTE.** KP10 cannot be used in duplex pump applications.

## ENDHEADS

KIT NUMBER	DESCRIPTION
<b>KN09</b>	ENDHEAD METRIC FOOTMOUNTS SAE PORTS
<b>KN10</b>	ENDHEAD METRIC FOOTMOUNTS BSPP PORTS
<b>KN11</b>	ENDHEAD UNC FOOTMOUNTS NPT PORTS
<b>KN12</b>	ENDHEAD UNC FOOTMOUNTS SAE PORTS



# PICK - A - PACK PRODUCT RANGE

## INTEGRAL VALVES

KIT#	DESCRIPTION	KIT#	DESCRIPTION
<b>KC01A</b>	12VDC	DIN/HIRSCHMANN	<b>KC05</b> RELIEF, CHECK, MANUAL RELEASE VALVE KIT WITH MICRO-SWITCH
<b>KC01B</b>	12VDC	DUAL 1/4" SPADE	<b>KC07</b> RELIEF & CHECK VALVE KIT
<b>KC01C</b>	12VDC	SINGLE #10 UNF STUD	<b>KC08</b> RELIEF VALVE KIT
<b>KC01D</b>	24VDC	DIN/HIRSCHMANN	<b>KC14</b> RELIEF, CHECK, PNEUMATIC RELEASE VALVE KIT
<b>KC01E</b>	24VDC	DUAL 1/4" SPADE	<b>KC15</b> RELIEF, CHECK, DC MANUAL RELEASE VALVE KIT
<b>KC01F</b>	24VDC	SINGLE #10 UNF STUD	<b>KC18</b> RELIEF, CHECK, AC LEVER RELEASE VALVE KIT
<b>KC01G</b>	24VAC	DIN/HIRSCHMANN	<b>KFC2</b> .5 GAL PRESSURE COMP FLOW CONTROLS
<b>KC01H</b>	230VAC	DIN/HIRSCHMANN	<b>KFC4</b> 1 GAL PRESSURE COMP FLOW CONTROLS
<b>KC01J</b>	115VAC	DIN/HIRSCHMANN	<b>KFC6</b> 1.5 GAL PRESSURE COMP FLOW CONTROLS
<b>KC03</b>	RELIEF, CHECK, MANUAL RELEASE VALVE KIT DIRECT ACTING		<b>KFC8</b> 2 GAL PRESSURE COMP FLOW CONTROLS

## RESERVOIRS

KIT #	TANK	NOMINAL CAPACITY (GAL)	TANK LENGTH		USABLE OIL CAPACITY		HORIZONTAL	
			MM	INCH	LITRE	CU.IN	LITRE	CU.IN
<b>KR12</b>	STEEL	.5	216	8.50	1.4	85	1.6	90
<b>KR14</b>	STEEL	.75	305	12.00	2.4	138	2.2	135
<b>KR15</b>	STEEL	1.0	368	14.50	2.6	165	2.6	161
<b>KR22</b>	PLASTIC	.5	216	8.50	1.4	83	1.6	100
<b>KR24</b>	PLASTIC	.75	280	11.00	2.3	138	2.2	130
<b>KR25</b>	PLASTIC	1.0	356	14.00	3.3	200	2.9	175
<b>KR40</b>	STEEL	1.0	200	7.88	1.6	100	2.8	170
<b>KR45</b>	STEEL	1.2	250	9.84	2.6	160	3.6	220
<b>KR41</b>	STEEL	1.5	300	11.81	3.6	220	4.4	270
<b>KR42</b>	STEEL	2.0	400	15.75	5.6	340	5.9	360
<b>KR46</b>	STEEL	2.5	432	17.00	6.2	380	6.4	390
<b>KR43</b>	STEEL	3.0	550	21.65	8.5	520	8.2	500
<b>KR44</b>	STEEL	4.0	660	26.00	10.6	650	9.8	600
<b>KR50</b>	PLASTIC	1.0	190	7.50	1.9	120	3.1	186
<b>KR55</b>	PLASTIC	1.2	228	9.00	2.9	180	3.8	230
<b>KR51</b>	PLASTIC	1.5	279	11.00	4.3	260	4.7	286
<b>KR52</b>	PLASTIC	2.0	330	13.00	5.6	340	5.6	345
<b>KR56</b>	PLASTIC	2.5	381	15.00	6.9	420	6.6	400
<b>KR53</b>	PLASTIC	3.0	508	20.00	10.2	620	8.8	540
<b>KR54</b>	PLASTIC	4.0	660	26.00	14.1	860	11.7	715
<b>KR71</b>	STEEL	7.0	254	10.00	20	1250	—	—
<b>KR72</b>	STEEL	TANK NECK-RING KIT FOR USE WITH SELF-MANUFACTURED STEEL RESERVOIRS.						
<b>KR73</b>	STEEL	14	508	20.00	50	3000	—	—

# PICK - A - PACK PRODUCT RANGE

## PLUMBING

**KH HORIZONTAL**

**KV VERTICAL**

For flows over 3 GPM Order 1412-AA Filter



## MANIFOLD BLOCKS

- KB11** SINGLE MANIFOLD BLOCK FOR D03 CETOP VALVE/SAE PORTS TOP MOUNT

---

- KB21** SINGLE MANIFOLD BLOCK FOR D03 CETOP VALVE/SAE PORTS SIDE MOUNT

---

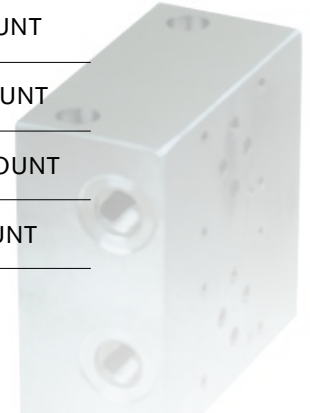
- KB22** DOUBLE MANIFOLD BLOCK FOR D03 CETOP VALVE/SAE PORTS SIDE MOUNT

---

- KB23** TRIPLE MANIFOLD BLOCK FOR D03 CETOP VALVE SAE PORTS SIDE MOUNT

---

Note: Manifold blocks cannot be used with KN12 endheads.



## CARTRIDGE VALVE MANIFOLDS

- KDVC1** 12VDC 2P4W WITH DPO CHECKS     **KDVC4** 24VDC 3P4W WITH DPO CHECKS

---

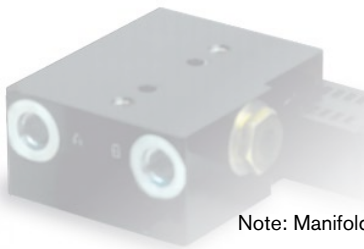
- KDVC2** 24VDC 2P4W WITH DPO CHECKS     **KDVC5** 115VAC 3P4W WITH DPO CHECKS

---

- KDVC3** 12VDC 3P4W WITH DPO CHECKS     **KDVC6** 230VAC 3P4W WITH DPO CHECKS

---

Note: Manifold valves cannot be used with KN12 endheads.



## CORD SET

- KG11** 10 FT CONTROL HANDSET FOR SINGLE-ACTING UNITS

---

- KG12** 10 FT CONTROL HANDSET FOR SINGLE SOLENOID, DOUBLE-ACTING UNITS

---

- KG13** CONTROL HANDSET FOR DOUBLE SOLENOID, DOUBLE-ACTING UNITS

Please consult factory for other options



## START SOLENOIDS

KIT #	VOLTAGE	DUTY	SERVICE PART#	GROUND	UL REC	KIT #	VOLTAGE	DUTY	SERVICE PART#	GROUND	UL REC
<b>KS1</b>	12VDC	INTERMITTENT	2145-AA	INT	NO	<b>KS1P</b>	12VDC	INTERMITTENT	4795-AA	INT	NO
							(NEW PLASTIC)				
<b>KS2</b>	24VDC	INTERMITTENT	2151-AA	INT	NO	<b>KS2P</b>	24VDC	INTERMITTENT	5024-AA	INT	NO
							(NEW PLASTIC)				
<b>KS3</b>	12VDC	INTERMITTENT	1866-CA	EXT	YES	<b>KS3P</b>	12VDC	INTERMITTENT	5022-AA	EXT	YES
							(NEW PLASTIC)				
<b>KS4</b>	24VDC	INTERMITTENT	2150-AA	EXT	YES	<b>KS4P</b>	24VDC	INTERMITTENT	5025-AA	EXT	YES
							(NEW PLASTIC)				
<b>KS7</b>	12VDC	200 AMP	3823-AA	EXT	YES	<b>KS7P</b>	12 12VDC	200 AMP	4764-AA	EXT	YES
	(NEW STEEL)	CONTINUOUS					CONTINUOUS				
<b>KS8</b>	24VDC	200 AMP	3822-AA	EXT	YES	<b>KS8P</b>	24VDC	100 AMP	5026-AA	EXT	YES
	(NEW STEEL)	CONTINUOUS					(NEW PLASTIC)	CONTINUOUS			

## GLOBAL CUSTOMER SERVICE CENTERS

### North America Headquarters

5885 11th Street  
Rockford, IL 61109  
USA

### Customer Service/Order Entry

Tel: +1 800 541 1418  
Fax: +1 800 288 7031

Send P.O's to: [info@stonehydraulics.com](mailto:info@stonehydraulics.com)

### Technical Services

Tel: +1 800 477 8326  
Fax: +1 800 765 8326

### European Headquarters

Albert Thijsstraat 12  
6471 WX Eygelshoven  
The Netherlands  
Tel: +31 45 567 8877

[infoeurope@stonehydraulics.com](mailto:infoeurope@stonehydraulics.com)

### SEA Headquarters

20 Pioneer Crescent #06-01  
West Park BizCentral  
Singapore 628555  
Tel: +65 6264 4366  
Fax: +65 6265 9133

[infoasia@stonehydraulics.com](mailto:infoasia@stonehydraulics.com)

### India Headquarters

SPX Flow Technology (India) Pvt. Limited  
Survey No. 275  
Odhav, Ahmedabad - 382 415  
Tel: +91-99099-85454  
+91-97277-19950

[india@stonehydraulics.com](mailto:india@stonehydraulics.com)

### China Headquarters

7F Treasury Building  
1568 Huashan Road  
Shanghai, 200052 China  
Tel: +86 21 2208 5888  
Fax: +86 21 2208 5682

[infochina@stonehydraulics.com](mailto:infochina@stonehydraulics.com)

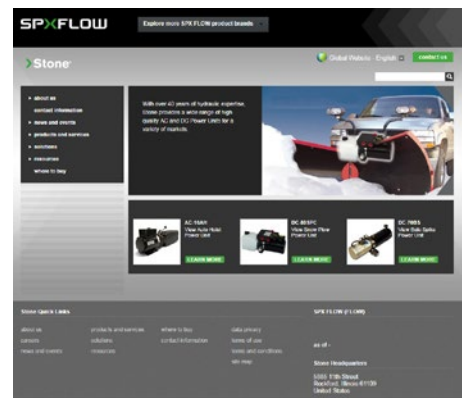
### Australia Headquarters

SPX Flow Technology Australia Pty Ltd  
Quad 2, 6 Parkview Drive  
Homebush Bay NSW 2127  
Tel: +61 02 9763 4900  
Fax: +61 02 9763 7888

[Ft.aus.cs@spxflow.com](mailto:Ft.aus.cs@spxflow.com)

Distributed by:

Visit us at [stonehydraulics.com](http://stonehydraulics.com) to learn more.



SPX FLOW, Inc. reserves the right to incorporate our latest design and material changes without notice or obligation.

Design features, materials of construction and dimensional data, as described in this bulletin, are provided for your information only and should not be relied upon unless confirmed in writing. Please contact your local sales representative for product availability in your region. For more information visit [www.spxflow.com](http://www.spxflow.com).

The green "S" and "X" are trademarks of SPX FLOW, Inc.

Bulletin: ST\_SC 1019