

Aluminum T-Slot Solutions



Automation ♦ Pneumatics ♦ Electro-Mechanical ♦ Hose, Tubing & Fittings ♦ Filtration
Hydraulics ♦ Machine Safety ♦ Seals & Gaskets ♦ Engineered Materials ♦ Remote System Monitoring -
IIoT ♦ Instrumentation ♦ Alternative Fuel ♦ Bonding ♦ Process Controls

T-SLOT FRAMING

With T-Slot extrusions and components, the possibilities of what can be constructed are endless. We offer a wide variety of high-quality components that are vital to providing T-Slot Solutions.

T-Slot Components

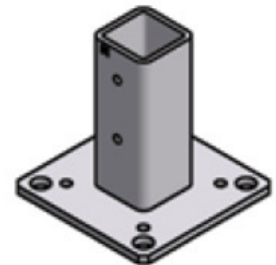
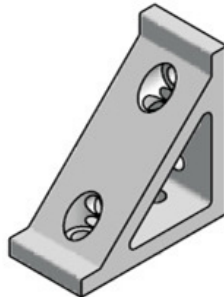
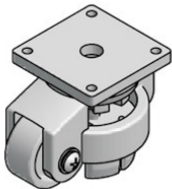
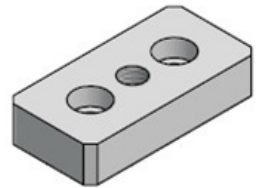
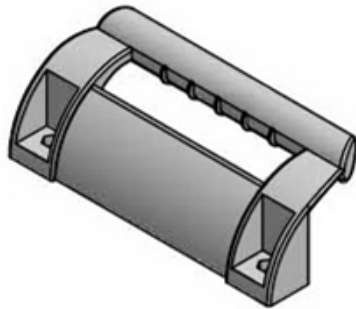
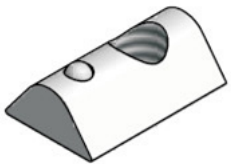
- Extrusions
- Fasteners
- Brackets
- Panels
- Doors
- Handles
- Hinges
- Casters
- Floor Mounts
- Linear Motion
- LED Lighting

T-Slot Solutions

- Guarding
- Enclosures
- Linear Motion
- Workstations
- Test Stands
- Machine Frames
- Lean Workstations
- Tables
- Carts
- Perimeter Guarding
- Safety Sensors

T-Slot Services

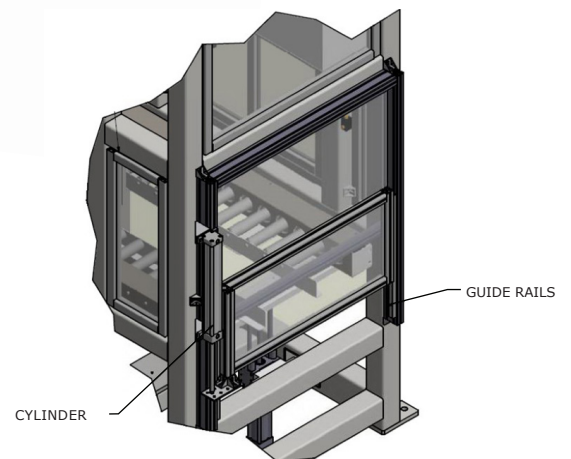
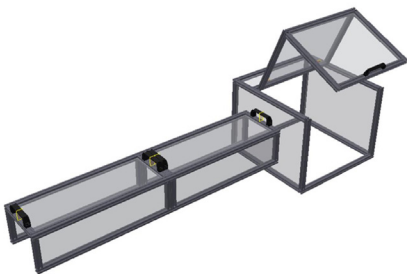
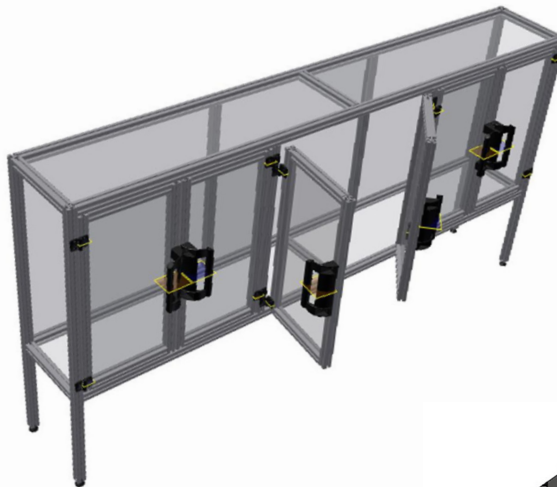
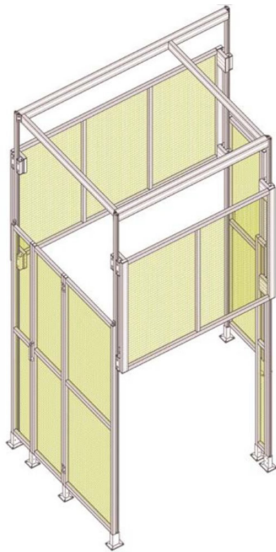
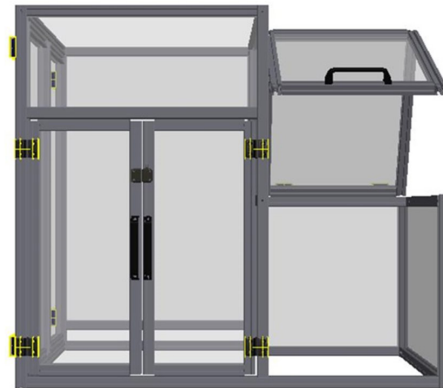
- Design Service
- Installation
- Assembly
- Kitting



CUSTOM GUARDING

Utilizing aluminum T-Slot extrusion, MFCP can design and fabricate all types of guarding solutions to fit your specific requirement or machine. MFCP is ready to solve your complex safety guarding needs. Our Application Specialists will work with you to design a perfect fit solution.

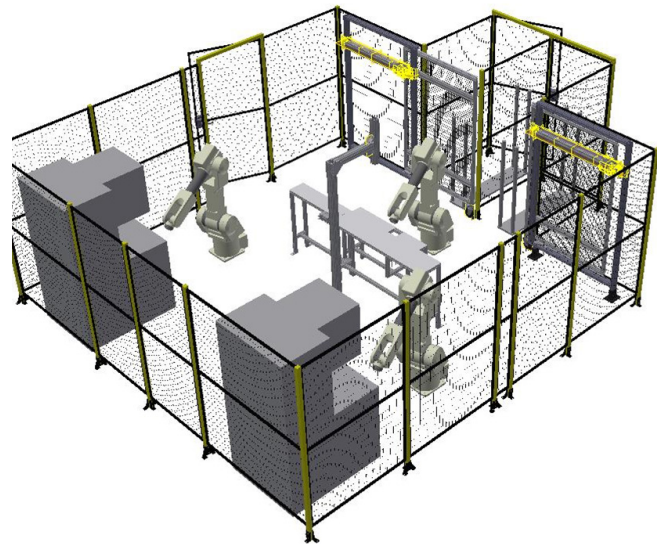
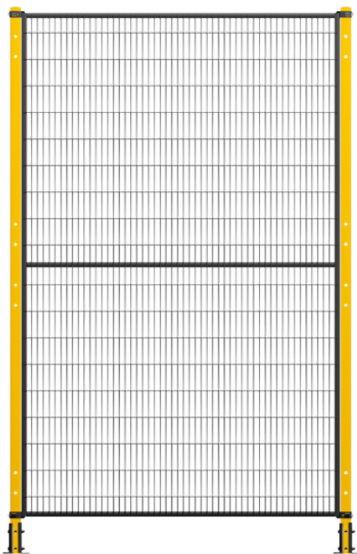
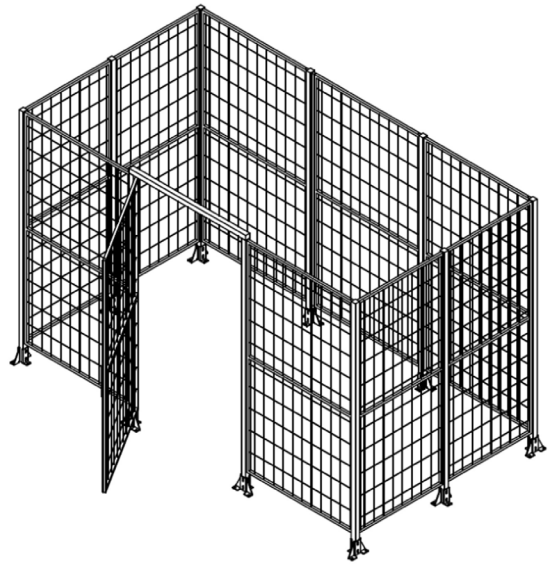
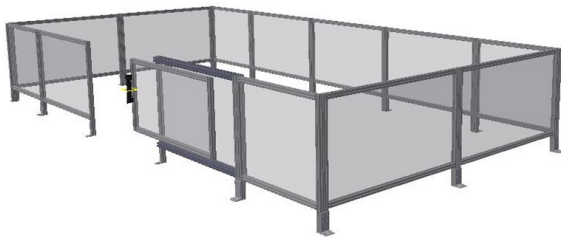
- Solution for new or existing machines
- Replace old or broken guards
- Access doors or panels available
- Door monitoring sensors available
- Safety interlocks available
- Installation available



PERIMETER GUARDING

We offer various options to ensure your safety fence is tailored specifically for you. From modular machine guard systems, doors, and accessories that provide off-the-shelf solutions or with the flexibility of aluminum T-slot construction, MFCP can solve your perimeter guard needs.

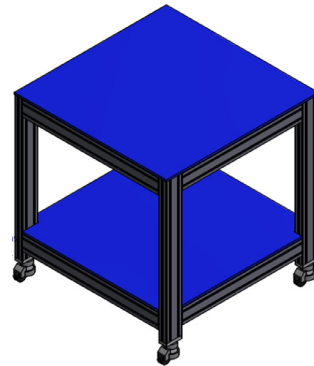
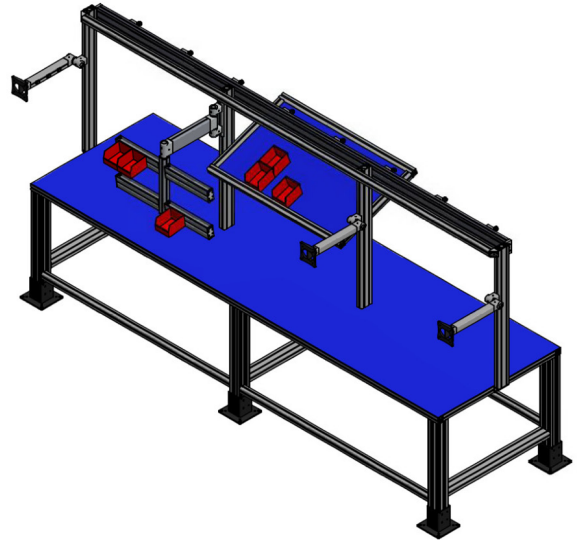
- Standard & custom sizes
- Large variety of panels or mesh available
- Access doors
- Safety interlocks available
- Installation available



TABLES & WORKBENCHES

MFCP can design and fabricate all types of tables and specialty workbenches.

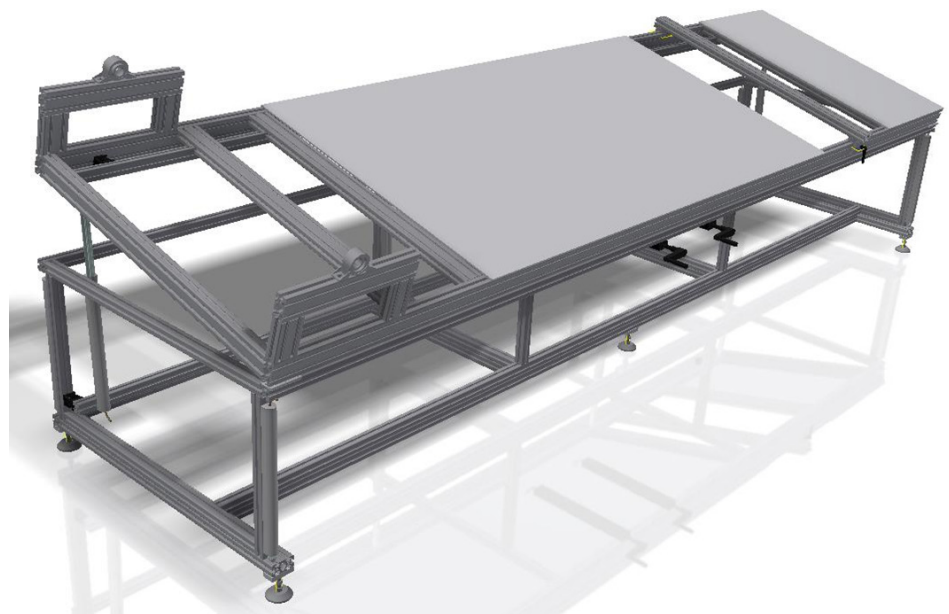
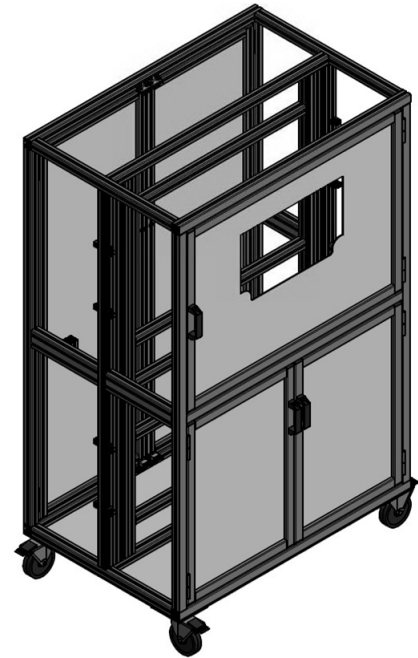
- Custom Drawers and Shelf
- Adjustable height and angles
- Standard or custom sizes
- Variety of tops available
- Casters or leveling feet



MACHINE FRAMES

We work mainly with aluminum t-slot extrusion to provide unique, hard to source custom frames. Design assistance is available.

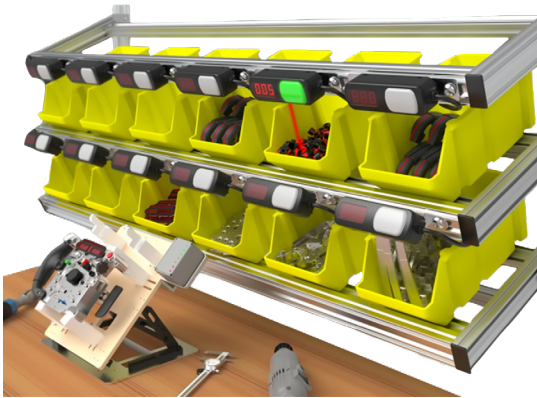
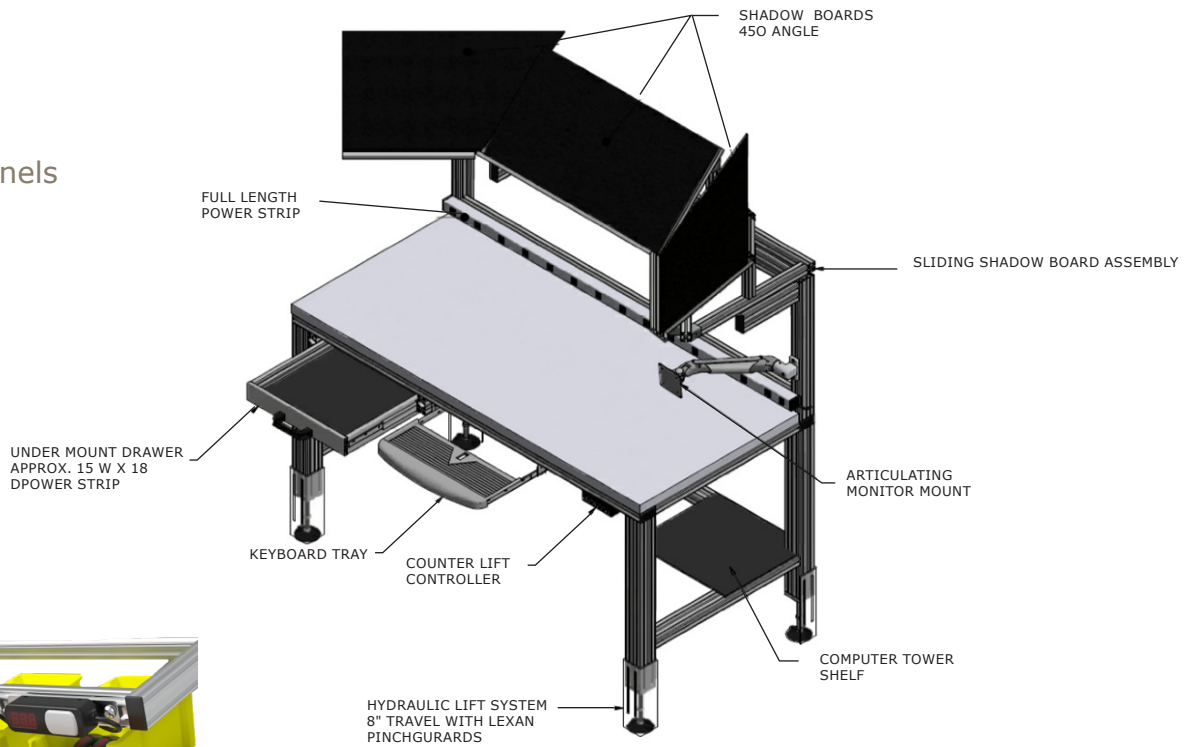
- Solution for unique requirements
- Manual, mechatronic, or pneumatic drives
- Custom workcell or worksurfaces
- Safety interlocks available
- Integrated guarding available



WORKSTATIONS

Our custom industrial workbenches, designed to fit your operations, can be built to suit any application.

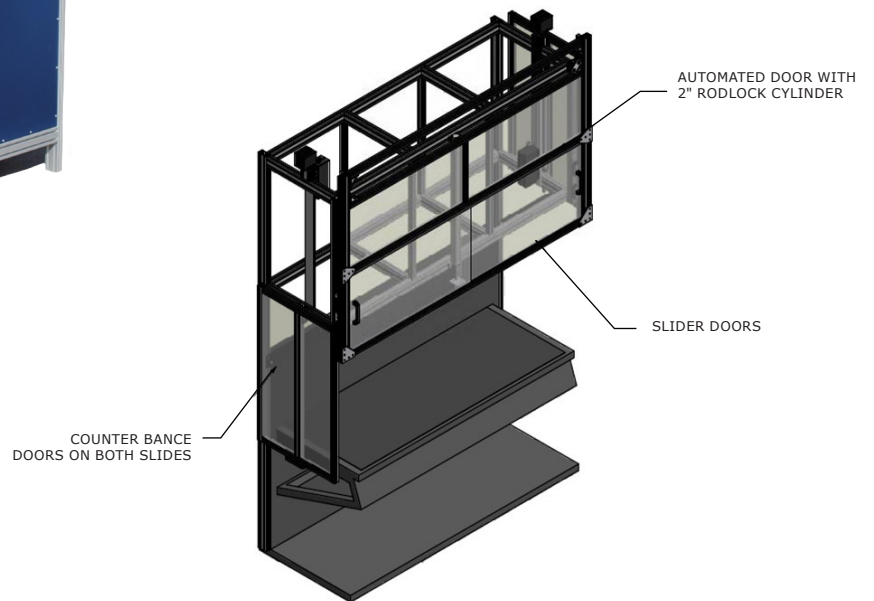
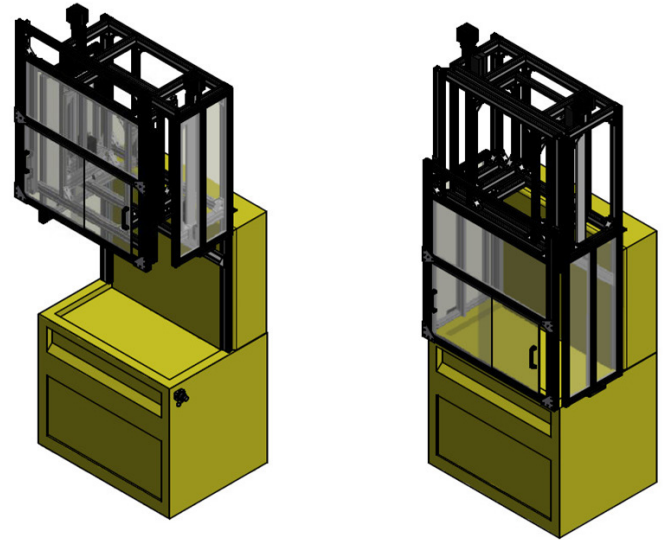
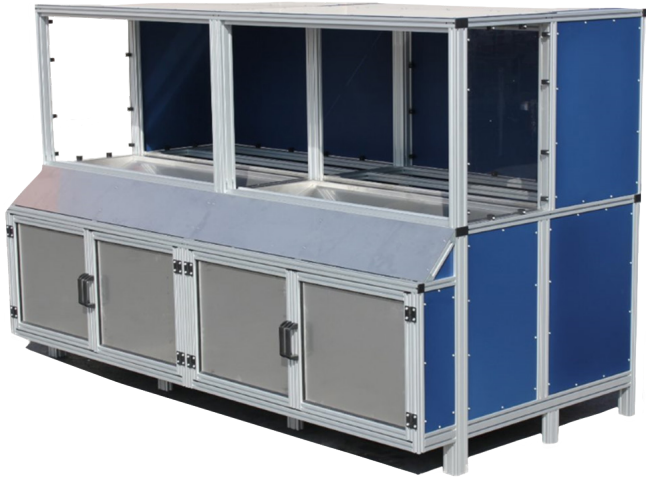
- Built to Last
- Reconfigurable
- Reuseable
- Custom Size
- Custom Shapes
- Lean Shadow Panels
- Light to Pick



TEST STAND GUARDS

MFCP can design and fabricate all types of test stands, and test stand guards. Our specialty is guarding existing test stands, and our controls engineers can interface with most existing controls.

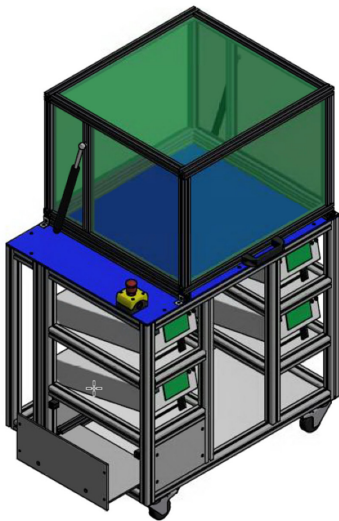
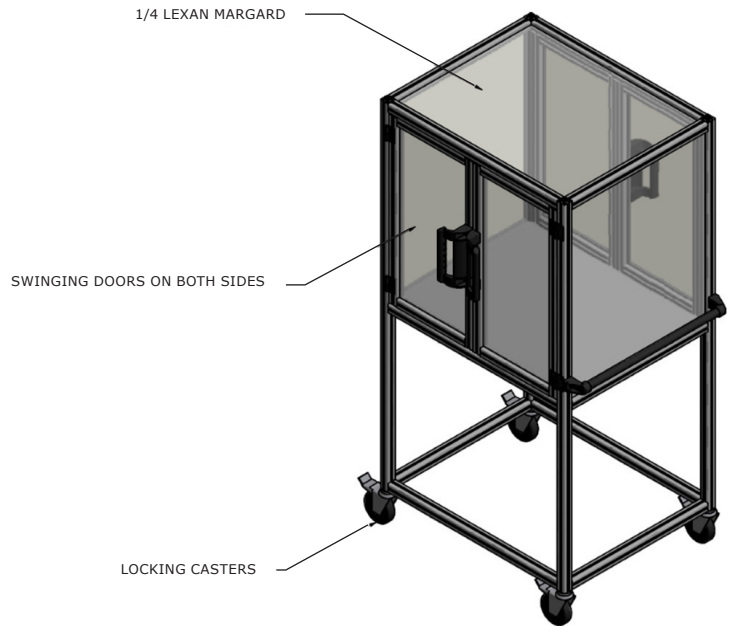
- Custom built to fit your requirements
- Expandable
- Many panel options
- Skydrol compatible available
- Counter balance or air powered door opening
- Panels for mounting gauges, valves, etc



CARTS

MFCP can provide a custom cart for your unique application.

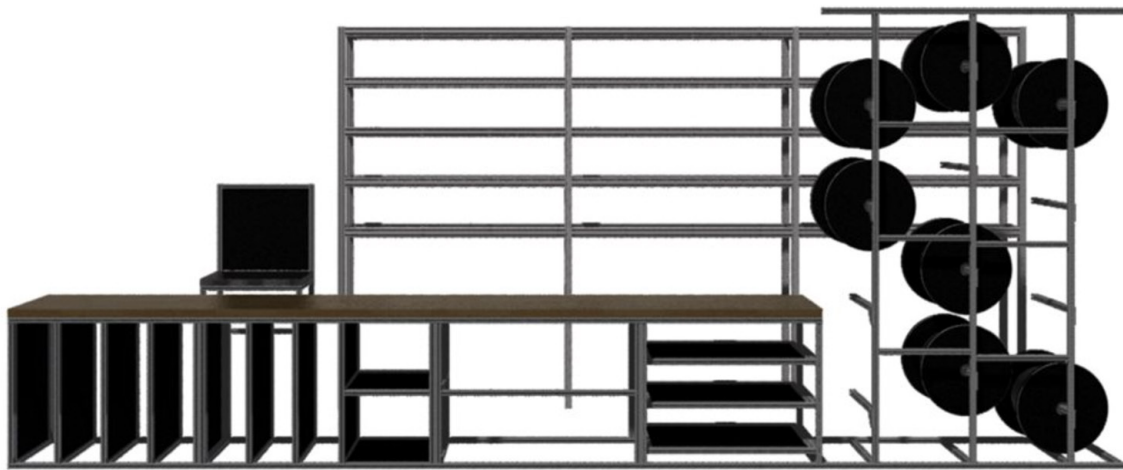
- Any size possible
- Variety of panels available
- Variety of handles available
- Custom Tops - Material or Machined
- Adjustable height and workarea



FIXTURES & DISPLAYS

MFCP can design and fabricate all types of store counters, product displays, or fixtures.

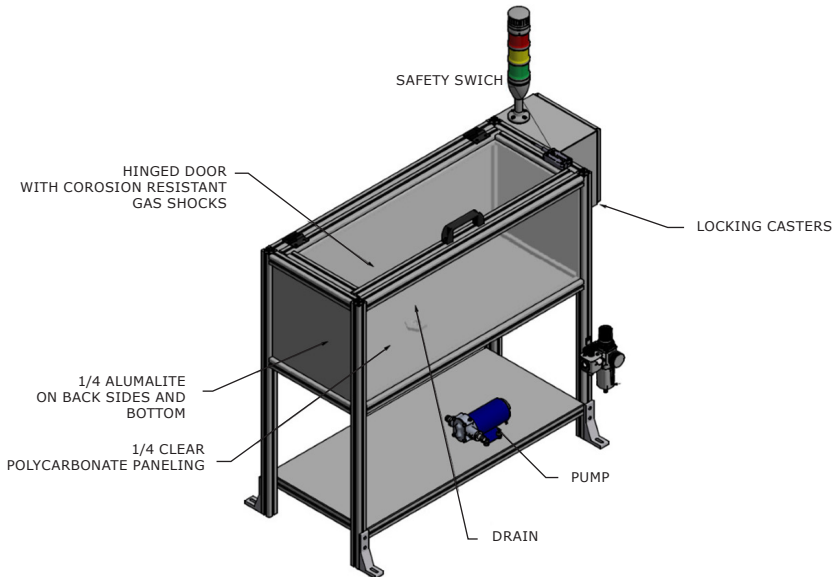
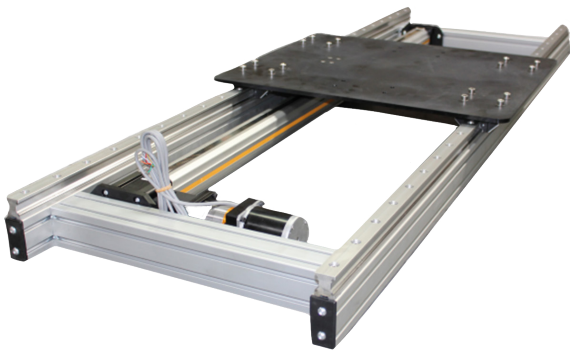
- Custom built to fit your requirements
- Expandable
- Many panel and countertop options



MOTION & CONTROLS

Motion can be integrated with MFCP through the use of either electro-mechanical or pneumatic actuators. MFCP is a UL-508A certified panel builder and provides complete control solutions.

- Complete control solution available
- Electric, hydraulic or pneumatic controls
- Integrated Safety Controls available



MACHINE SAFETY

MFCP offers a wide variety of machine safety sensors, components and controls.

- Safety Light Curtains
- Safety Controllers & Relays
- Emergency Stop & Controls
- Safety Switches
- Solenoid
- Two-Hand Controls
- Safety Laser Scanners
- Safe Torque Off



LIGHTING SOLUTIONS

MFCP offers a wide variety of lighting solutions for workbenches, manual assembly stations, and visual inspection stations.

- Adjustable
- LED
- AC or DC Powered
- Inspection Light Bars
- Analog Dimming
- Harsh Environment
- Multi-color
- Task Spotlight
- High Temperature





Technologies

Automation
Compressed Air &
Pneumatics
Controls/Control Panel
Electromechanical

Filtration
Hose, Tubing & Fittings
Hydraulics
Mobile Controls &
Hydraulics

Machine Safety
Seals & Engineered
Materials



Products

Actuators, Stages &
Cylinders
Automation Components
Compressed Air Equipment
Controls
Drives & Motors
Electrical

Filtration
Gauges & Measurement
Hose, Tubing & Fittings
Hydraulics
Machine Safety
Mobile & Truck
Pneumatics

O-Rings & Seals
Sensors & Switches
Tools & Assembly
Vacuum
Valves



Engineered Solutions

Control Systems &
Enclosures
Standard Hydraulic Power
Units
Custom Hydraulic Power
Units

Custom Hydraulic Manifolds
Pneumatic Systems &
Assemblies
Seal Engineering
System Installation
System Design

Schematics
Custom Machine Guarding
Workstations & Workcells



Services

Seal Kitting Services
Hose Kitting Services
Cylinder Interchanges
Hydraulic Component
Repair
Tube Bending and

Fabrication
Rental Units/Equipment
Vendor Managed Inventory



Locations

We support our customers in the Western United States with a growing number of locations. When you visit one of our ParkerStores, you can count on quick, friendly service from one of our store professionals.

All of our ParkerStores stock products provide hose assemblies while you wait, adapters, and many Parker fluid connector products. Individual stores offer additional products and services to support the industries in their specific locations.