

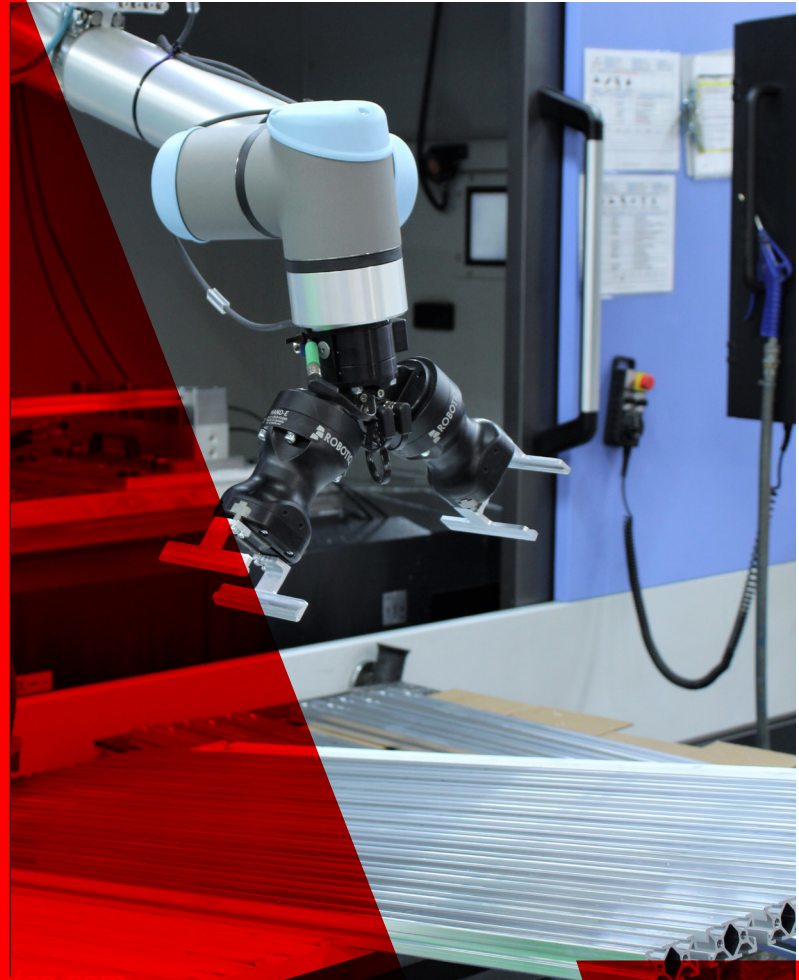


T S L O T S

BY BONNELL ALUMINUM

ROBOTIC SOLUTIONS

*WHAT DO YOU WANT TO
BUILD TODAY?*



INDUSTRIAL ROBOTIC AUTOMATION

When you walk through any manufacturing facility, you are starting to see robots pop up more and more. The use of robotics in manufacturing is continuing to grow and the technology is rapidly advancing, and will continue to do so.

Why is that?

PRO'S

CON'S

PRODUCTION

SAFETY

QUALITY

SAVINGS

EXPENSE

EXPERTISE

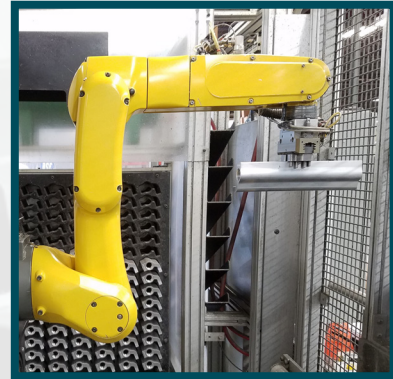
ROBOTIC BENEFITS

Robots don't need downtime and can work around the clock. This increase in productivity saves time, money, and makes you more competitive. This will allow you to distribute shares of benefits to the labor force. As with all technology there is a price to pay, but the advantages heavily outweigh the disadvantages!

WIN WITH TSLOTS

TSLOTS is a perfect solution for various applications that can be used in the robotics industry. With our aluminum extrusions being lightweight, creating a durable frame, guarding structure, or robotic stand is an incredible advantage, especially for mobile units!

- Material Handling
- Quality Inspections
- Conveyor Lines
- Actuators
- Machine Guarding
- Robotic Arms
- Enclosures



COBOTS ARE CHANGING THE GAME!

Collaborative robots share all the great benefits as industrial robotic automation, except the extra costs, extensive programming, ability to share space with humans.

WHY COBOTS?

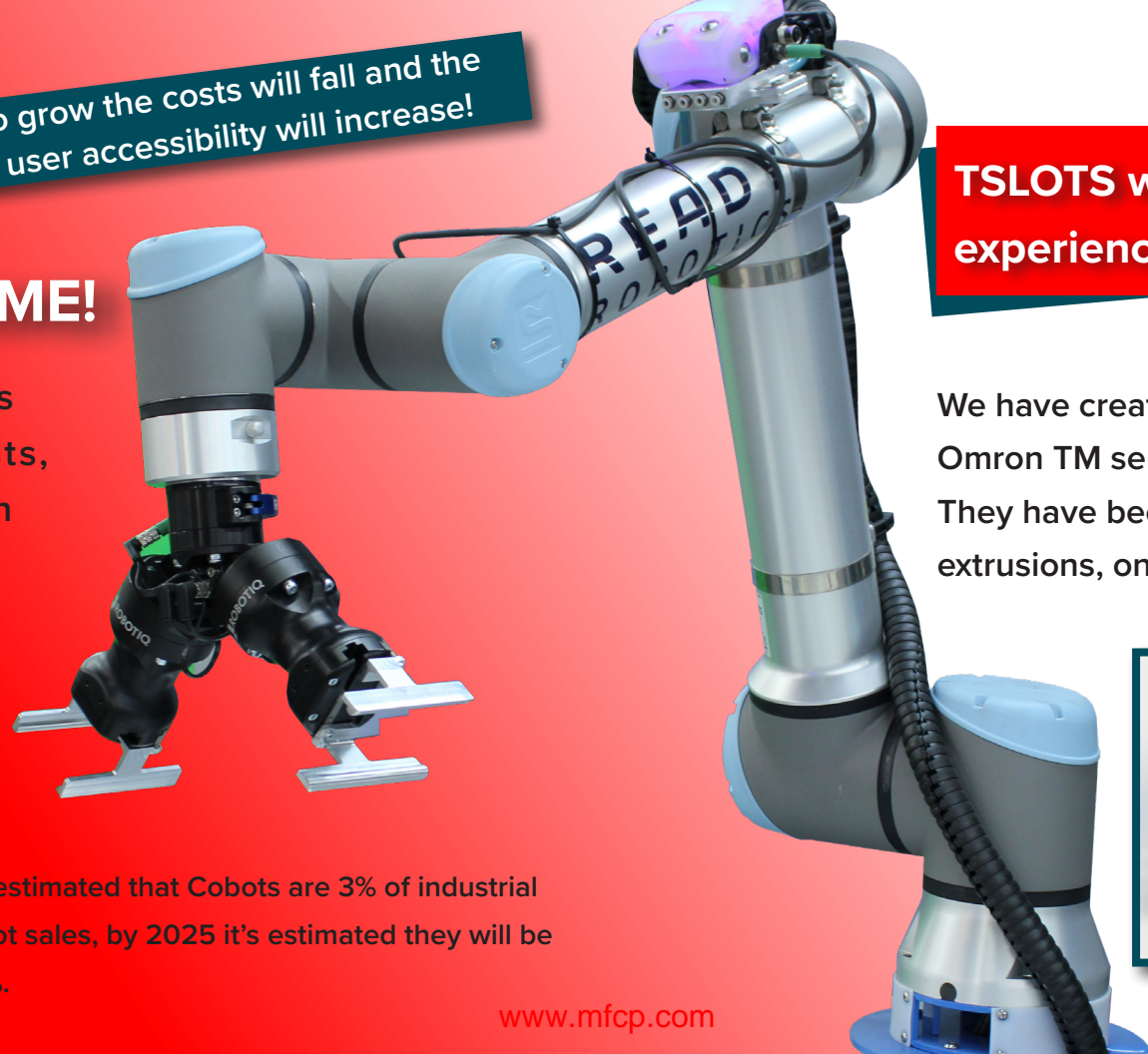
- Easy programming
- Fast setup time
- Flexible Automation
- Safety

34%
Growth in sales



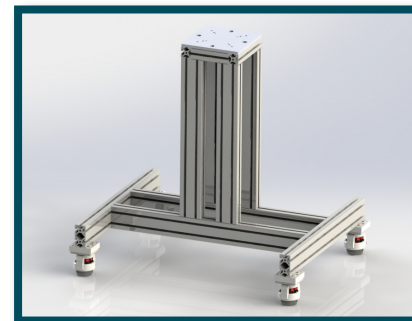
It's estimated that Cobots are 3% of industrial robot sales, by 2025 it's estimated they will be 34%.

As they continue to grow the costs will fall and the customization and user accessibility will increase!

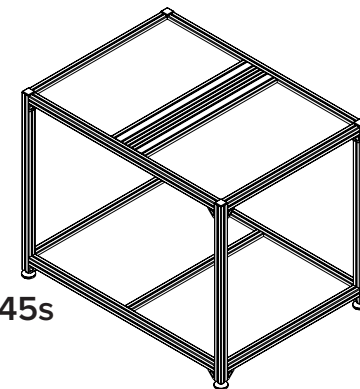


TSLOTS wants to make your experience with cobots the best!

We have created mounted plates that work with Omron TM series and Universal Robots cobot series. They have been manufactured to fit our 15s, 40s, and 45s extrusions, one plate fits all!



Choose and download one of our preconfigured stands or tables to mount your robot to or customize your own to fit your specific project need.





T S L O T S

BY BONNELL ALUMINUM

TSLOTS by Bonnell Aluminum
1201 S. Freeport Industrial Pkwy
Clearfield, UT 84015

800.824.2049 TOLL FREE

www.tslots.com



www.mfcp.com