

# Tapered spigots

The BFM® Spigot has a slightly tapered tail. This allows the spigot to be welded onto pipes that may vary slightly in diameter from the standard diameter (please refer to the drawing on the following page).

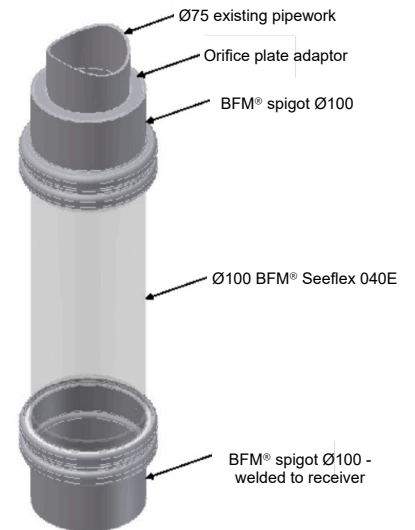
Here are a few factors to take into account:

- Spigot diameters for all sizes over Ø100mm are measured on the inside (ID) at the base of the tail. This means the OD (outside diameter) at the base of the tail is **4mm greater** than the ID given 2mm stainless steel.
- The OD at the top of the tail is **5mm greater than the base**, so a 200mm spigot is 204 OD at the base of the tail and 209 OD at the top where the tail intersects with the lower seat radius.

*NOTE: There is a ±2mm tolerance on the tail diameter for all spigot sizes.*

- All spigots have the same tail length and curve, so the taper difference applies to all diameters.
- The spigots do not taper in an exact straight line, there is a slight curve. This means there is no exact equation. Given that there is often a slight variance, and that this variance can be countered through welding, this will not be a problem.

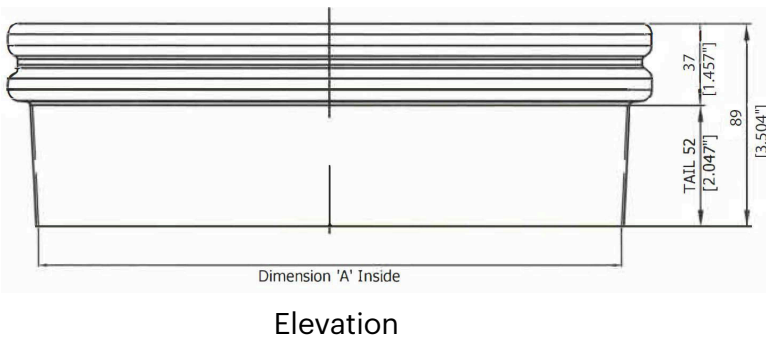
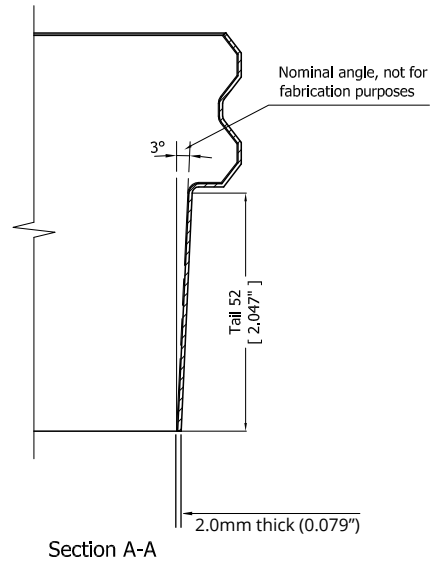
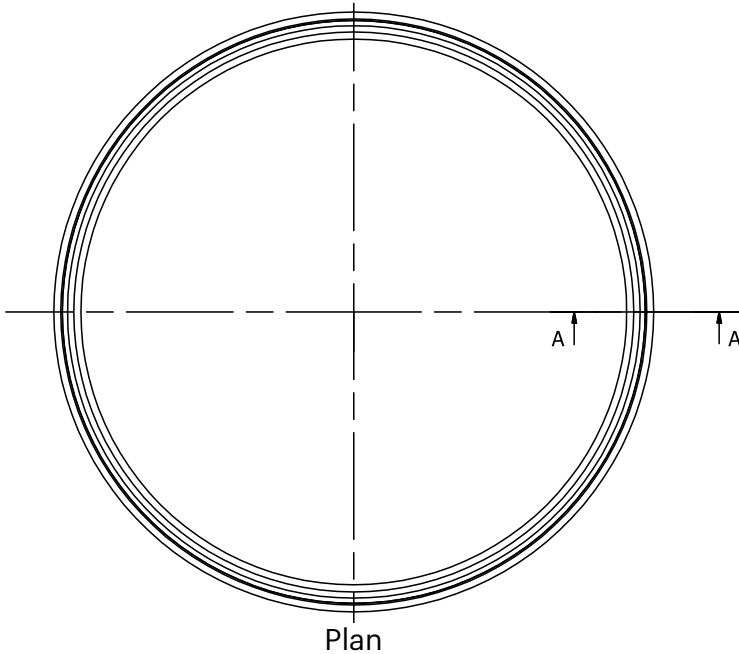
All pipes that are too large will need some type of tapered transition to allow them to be welded in place (see adjacent example). This is also the case when enlarging a pipe to suit.



Below are some examples where pipes have been altered to suit:



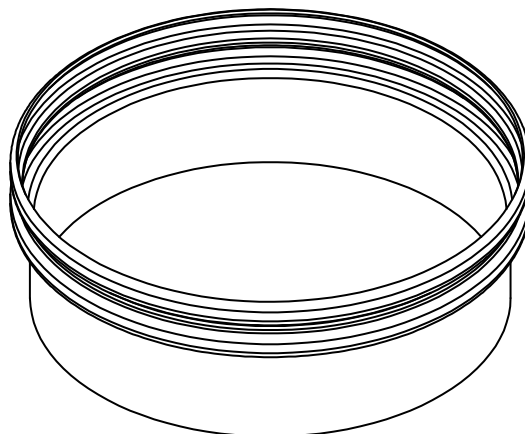
# Tapered spigots (contd)



Dimension 'A' (Diameter $\phi$ )	
Nominal mm	Nominal inches
*100	*3.937
125	4.921
150	5.905
200	7.874
250	9.842
300	11.811
350	13.779
400	15.748
450	17.716
500	19.685
550	21.653
600	23.622
650	25.590

**NOTE:** There is a  $\pm 2\text{mm}$  tolerance on the tail diameter for all spigot sizes.

\* The 100mm BFM spigots are sized to fit standard tube which is measured externally. All other BFM spigots are measured internally to accommodate nominal bore standard pipe which is measured internally.



Isometric Representation

**NOTE:** Section A-A is common to all spigots in the BFM Connector Range.

Larger sizes available in increments of 50mm [2.0"] on request. Please contact your local distributor.

Spigots are manufactured from 304L & 316L stainless Steel.

Patent # 547189  
Design Patent # 407574