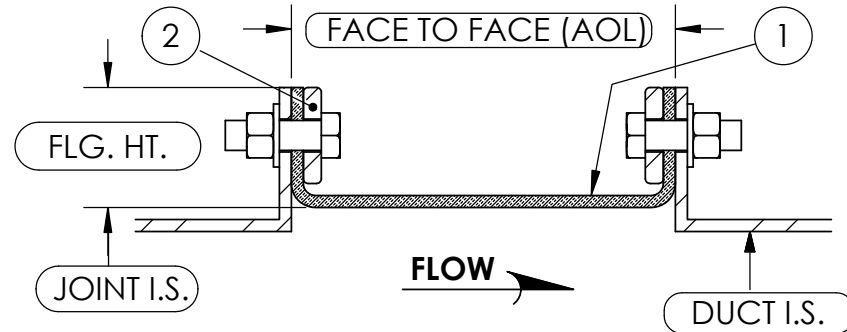
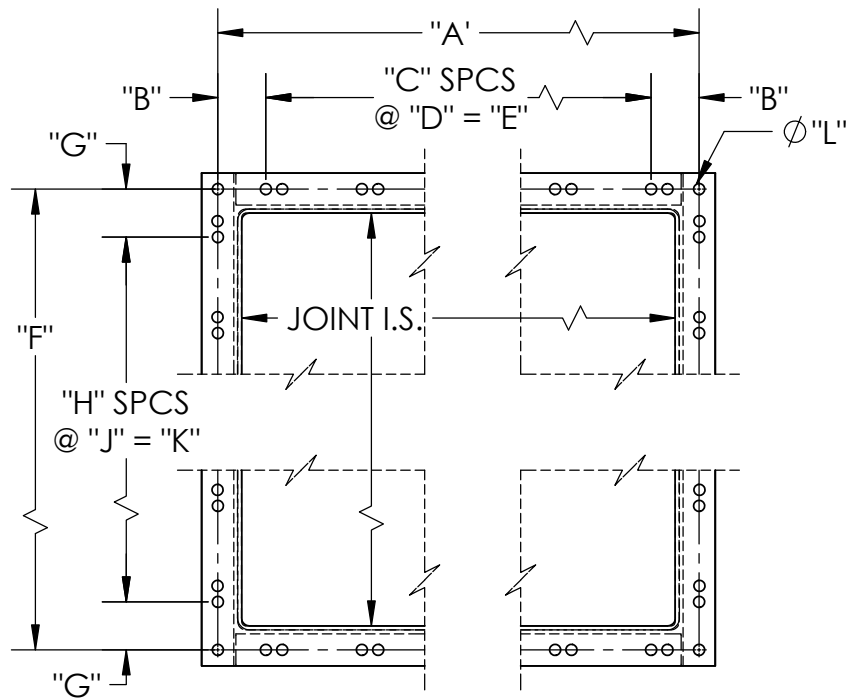


BILL OF MATERIALS				
ITEM NO	COMPONENT	DESCRIPTION	QTY.	MATERIAL
1	JOINT ELEMENT	1/4" NOM. THICKNESS	1	
2	BACKUP BAR SET	3/8" THICK X 2" WIDE	2	



TYPICAL CROSS SECTION

GENERAL DIMENSIONS	
JOINT I.S.	
FLANGE HEIGHT	3"
FACE TO FACE (O.A.L.)	
DUCT I.S.	



TYPICAL END VIEW
BOLT PATTERN LAYOUT

BOLT HOLE TABLE	
"A"	
"B"	
"C"	
"D"	
"E"	
"F"	
"G"	
"H"	
"J"	
"K"	
"L"	

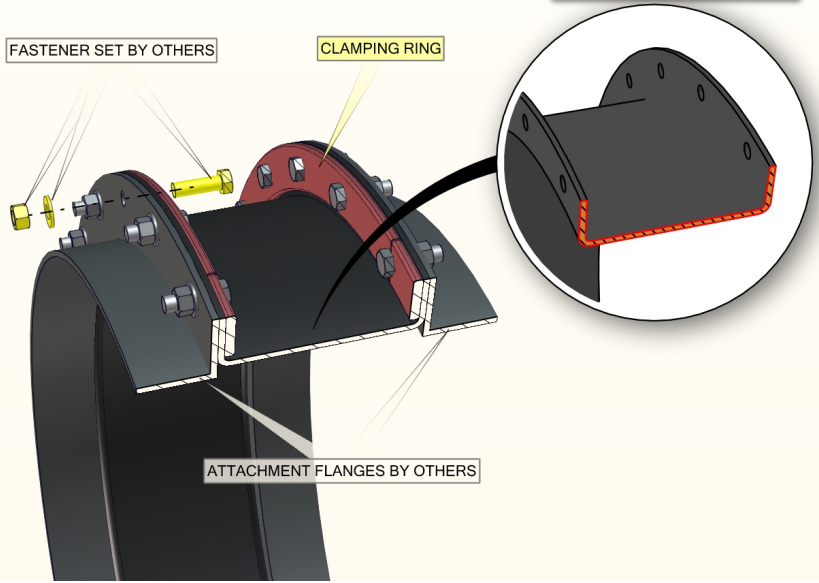
DRAWING IS NOT TO SCALE

TEMPERATURE		PRESSURE	
COMPRESSION	EXTENSION	LATERAL	
STYLE 520-U DESIGN RECTANGULAR DUCT CONNECTOR			
CUSTOMER			
TAG NO.		QTY	
DWG. NO.		REV	
		-	

STYLE 520 U-DESIGN
DUCT CONNECTOR FOR
STANDARD MOVEMENTS

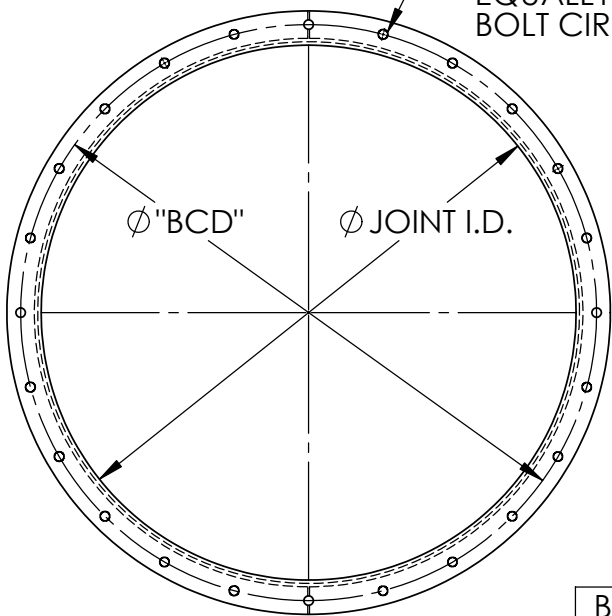
FASTENER SET BY OTHERS

CLAMPING RING



ATTACHMENT FLANGES BY OTHERS

"N" HOLES, "D" DIAMETER
EQUALLY SPACED ON
BOLT CIRCLE DIA. (BCD)



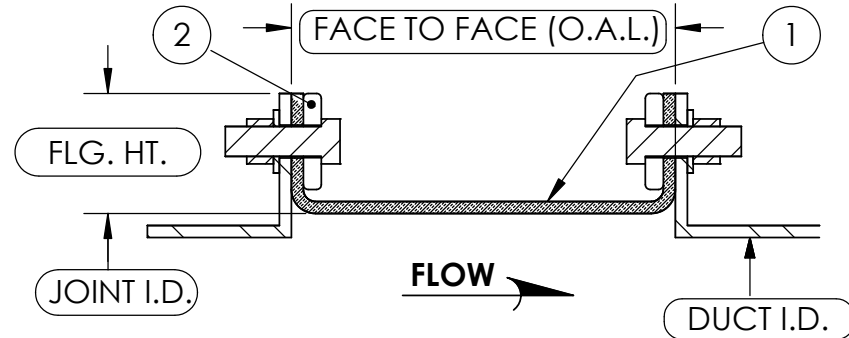
TYPICAL END VIEW
BOLT PATTERN LAYOUT

BOLT HOLE TABLE

"BCD"	
"N"	
φ "D"	

BILL OF MATERIALS

ITEM NO	COMPONENT	DESCRIPTION	QTY.	MATERIAL
1	JOINT ELEMENT		1	
2	CLAMPING RING		2	



TYPICAL CROSS SECTION

GENERAL DIMENSIONS

JOINT I.D.	
FLANGE HEIGHT	3"
FACE TO FACE (O.A.L.)	
DUCT I.D.	

TEMPERATURE		PRESSURE	
COMPRESSION	EXTENSION	LATERAL	

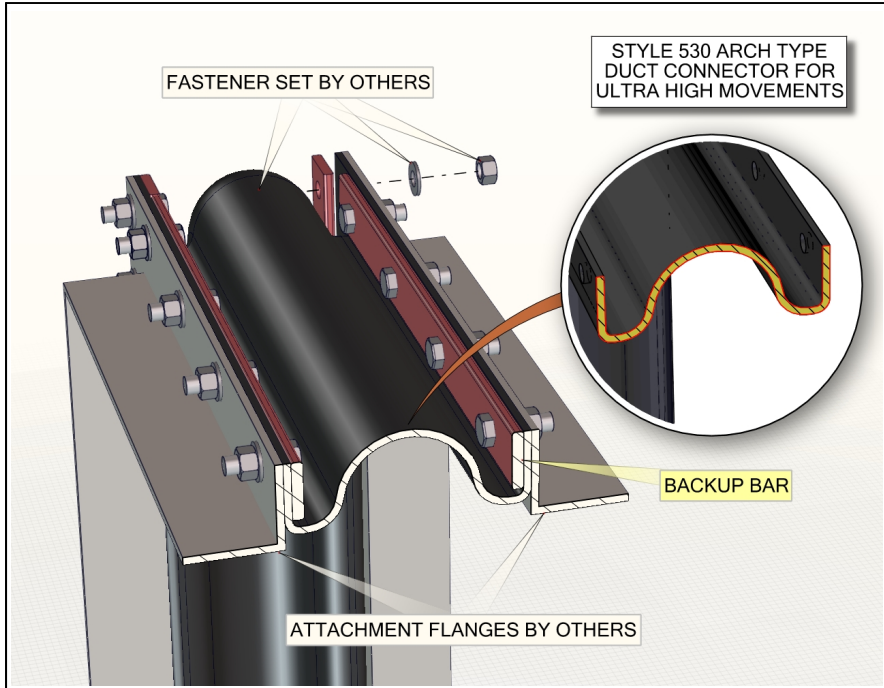


STYLE 520 U-DESIGN
ROUND DUCT CONNECTOR

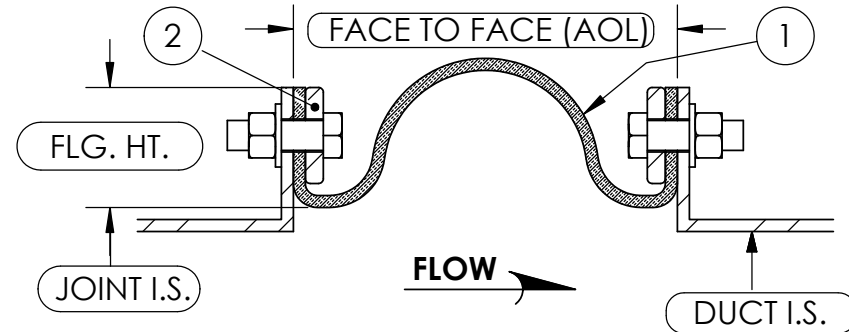
CUSTOMER	
TAG NO.	QTY
DWG. NO.	REV
	-

DRAWING IS NOT TO SCALE

THE INFORMATION CONTAINED IN THIS DRAWING IS THE SOLE PROPERTY OF PROCO PRODUCTS INC. ANY REPRODUCTION IN PART OR AS A WHOLE WITHOUT THE WRITTEN PERMISSION OF PROCO PRODUCTS INC. IS PROHIBITED.

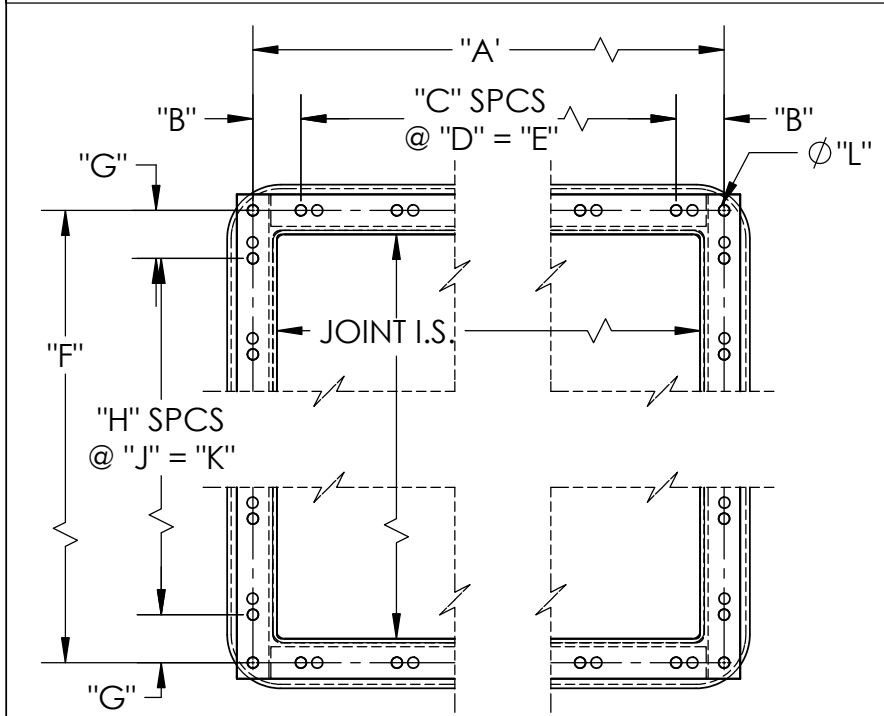


BILL OF MATERIALS				
ITEM NO	COMPONENT	DESCRIPTION	QTY.	MATERIAL
1	JOINT ELEMENT	1/4" NO M. THIC KNESS	1	
2	BACKUP BAR SET	3/8" THIC K X 2" WIDE	2	



TYPICAL CROSS SECTION

GENERAL DIMENSIONS	
JOINT I.S.	
FLANGE HEIGHT	3"
FACE TO FACE (O.A.L.)	
DUCT I.S.	



TYPICAL END VIEW
BOLT PATTERN LAYOUT

BOLT HOLE TABLE	
"A"	
"B"	
"C"	
"D"	
"E"	
"F"	
"G"	
"H"	
"J"	
"K"	
"L"	

DRAWING IS NOT TO SCALE

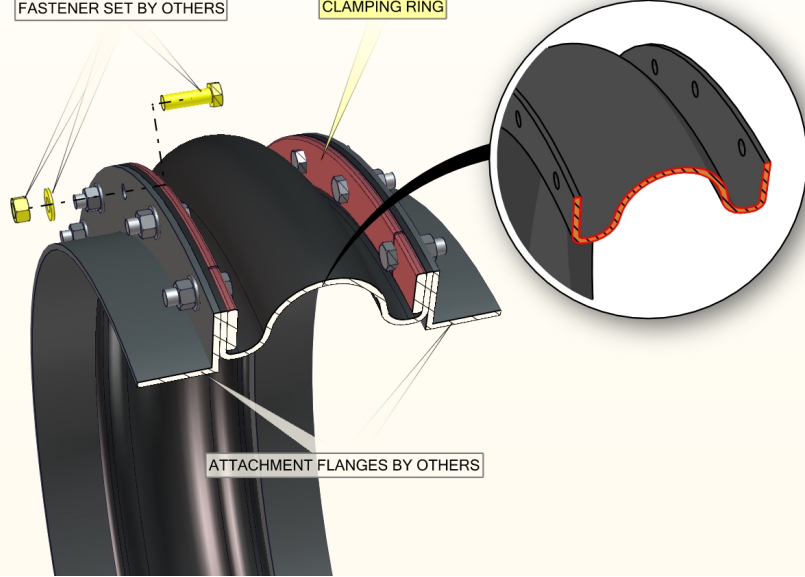
TEMPERATURE		PRESSURE	
COMPRESSION	EXTENSION	LATERAL	
PROCO PROCO PRODUCTS, INC.			
STYLE 530 ARCH TYPE RECTANGULAR DUCT CONNECTOR			
CUSTOMER			
TAG NO.			QTY
DWG. NO.			REV
			-

STYLE 530 ARCH DESIGN
DUCT CONNECTOR FOR
ULTRA HIGH MOVEMENTS

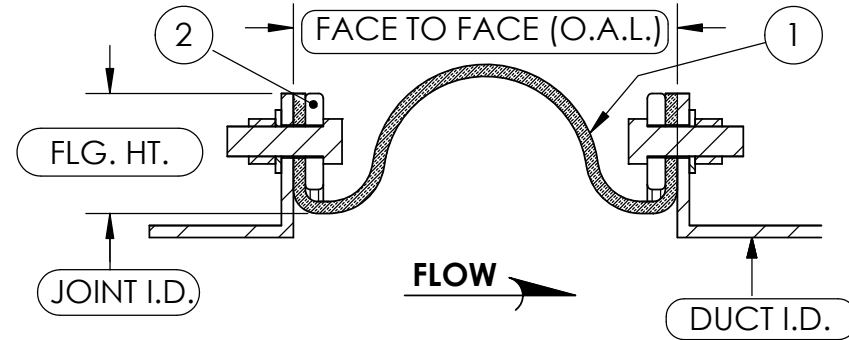
FASTENER SET BY OTHERS

CLAMPING RING

ATTACHMENT FLANGES BY OTHERS

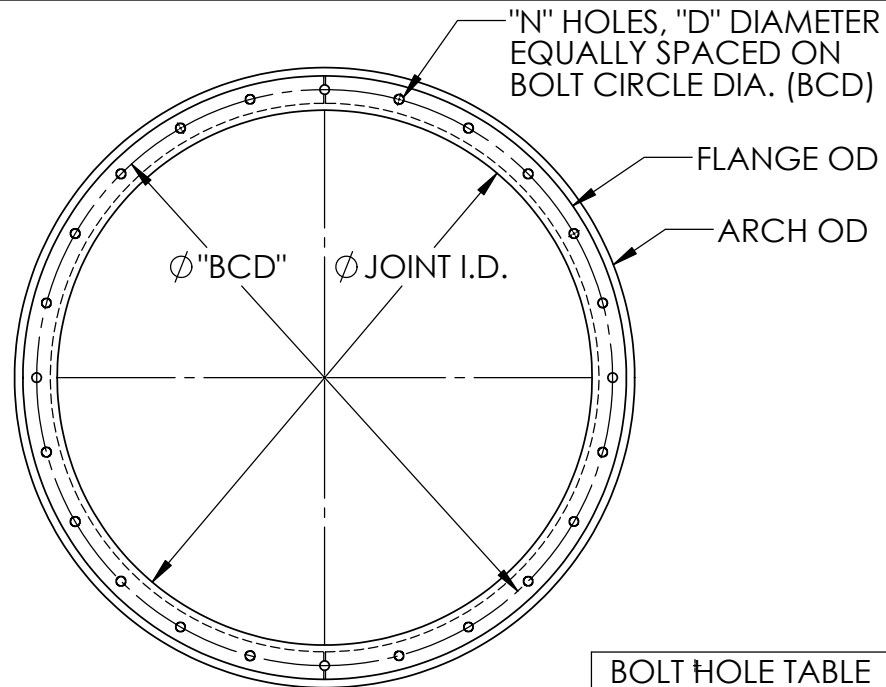


BILL OF MATERIALS				
ITEM NO	COMPONENT	DESCRIPTION	QTY.	MATERIAL
1	JOINT ELEMENT	1/4" NO M. THICKNESS	1	EPDM
2	CLAMPING RING	3/8" THICK X 2" WIDE	2	C/S (GALV)



TYPICAL CROSS SECTION

GENERAL DIMENSIONS	
JOINT I.D.	
FLANGE HEIGHT	3"
FACE TO FACE (O.A.L.)	
DUCT I.D.	



TYPICAL END VIEW
BOLT PATTERN LAYOUT

BOLT HOLE TABLE

"BCD"	
"N"	
φ "D"	

DRAWING IS NOT TO SCALE

TEMPERATURE		PRESSURE	
COMPRESSION	EXTENSION	LATERAL	

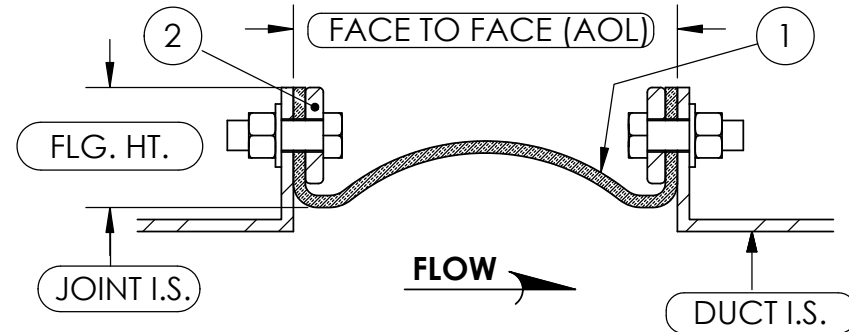
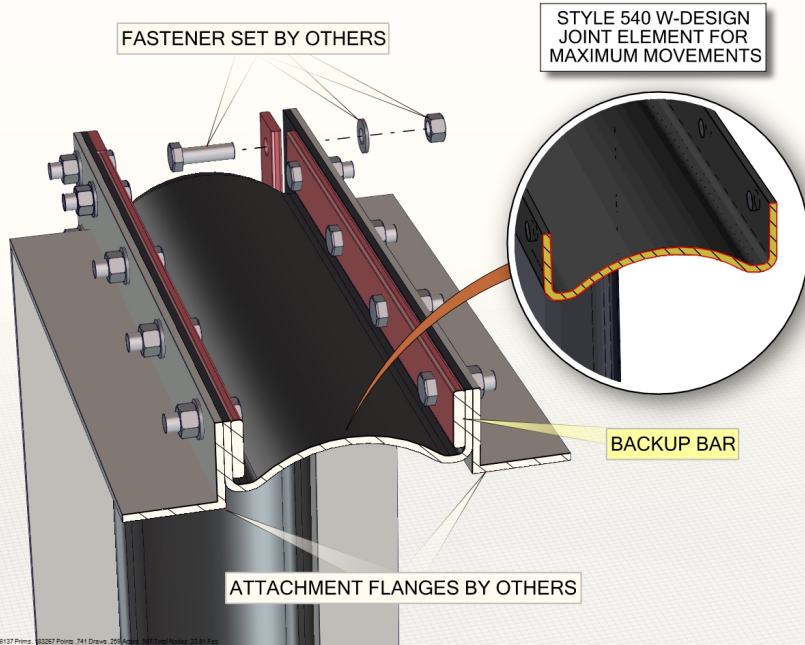


**STYLE 530 ARCH DESIGN
ROUND DUCT CONNECTOR**

CUSTOMER	
TAG NO.	QTY
DWG. NO.	REV
	-

BILL OF MATERIALS

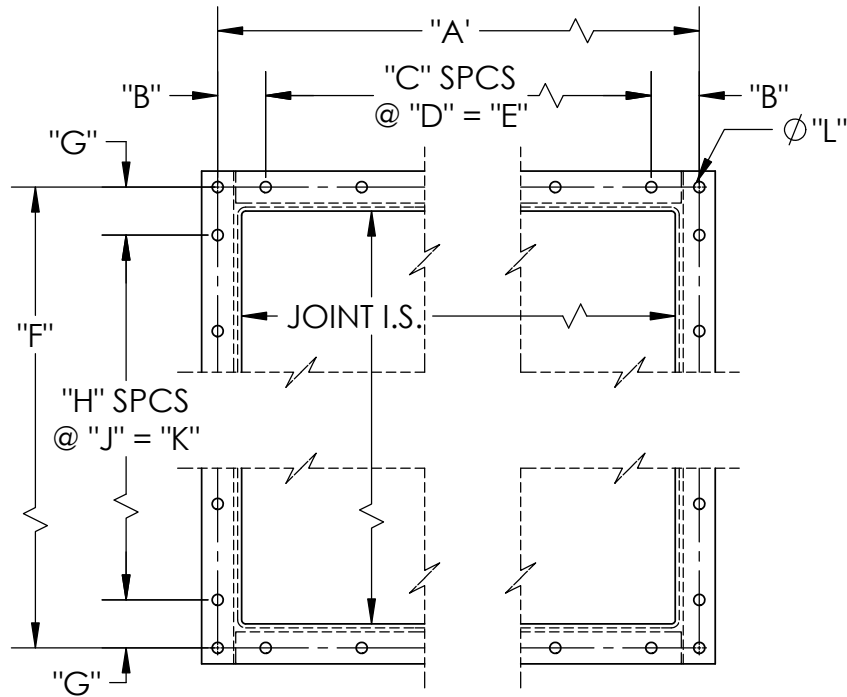
ITEM NO	COMPONENT	DESCRIPTION	QTY.	MATERIAL
1	JOINT ELEMENT	1/4" NO M. THICKNESS	1	
2	BACKUP BAR SET	3/8" THICK X 2" WIDE	2	



TYPICAL CROSS SECTION

GENERAL DIMENSIONS

JOINT I.S.	
FLANGE HEIGHT	3"
FACE TO FACE (O.A.L.)	
DUCT I.S.	



TYPICAL END VIEW
BOLT PATTERN LAYOUT

BOLT HOLE TABLE

"A"	
"B"	
"C"	
"D"	
"E"	
"F"	
"G"	
"H"	
"J"	
"K"	
"L"	

DRAWING IS NOT TO SCALE

TEMPERATURE		PRESSURE	
COMPRESSION	EXTENSION	LATERAL	



STYLE 540-W DESIGN
RECTANGULAR DUCT
CONNECTOR

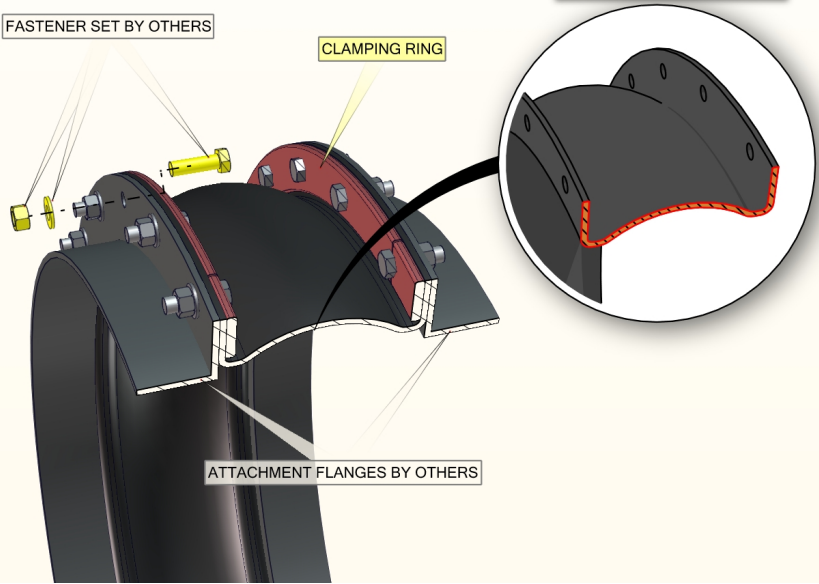
CUSTOMER	
TAG NO.	QTY
DWG. NO.	REV
	-

STYLE 540 W-DESIGN
DUCT CONNECTOR FOR
MAXIMUM MOVEMENTS

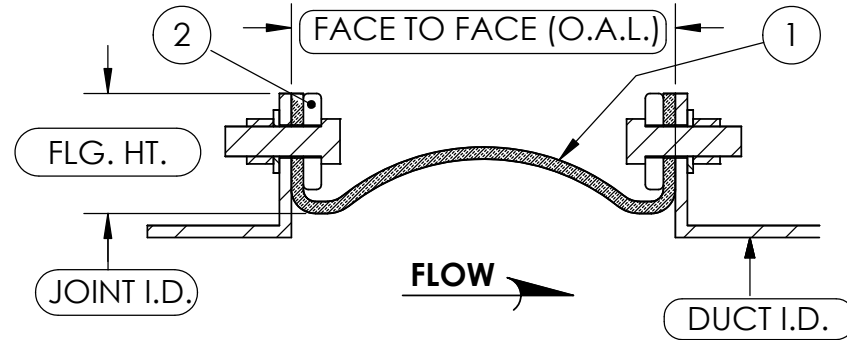
FASTENER SET BY OTHERS

CLAMPING RING

ATTACHMENT FLANGES BY OTHERS



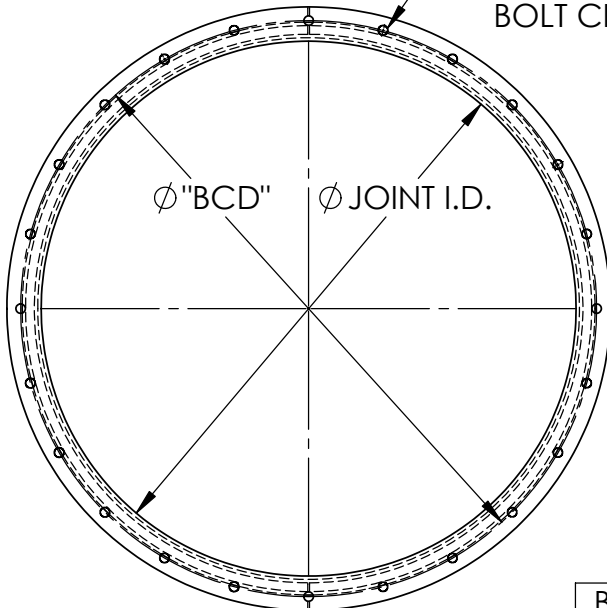
BILL OF MATERIALS				
ITEM NO	COMPONENT	DESCRIPTION	QTY.	MATERIAL
1	JOINT ELEMENT	1/4" NO M. THIC KNESS	1	
2	CLAMPING RING	3/8" THIC K X 2" WIDE	2	



TYPICAL CROSS SECTION

GENERAL DIMENSIONS	
JOINT I.D.	
FLANGE HEIGHT	3"
FACE TO FACE (O.A.L.)	
DUCT I.D.	

"N" HOLES, "D" DIAMETER
EQUALLY SPACED ON
BOLT CIRCLE DIA. (BCD)



TYPICAL END VIEW
BOLT PATTERN LAYOUT

BOLT HOLE TABLE

"BCD"	
"N"	
ϕ "D"	

DRAWING IS NOT TO SCALE

TEMPERATURE		PRESSURE	
COMPRESSION	EXTENSION	LATERAL	



**STYLE 540 W-DESIGN
ROUND DUCT CONNECTOR**

CUSTOMER	
TAG NO.	QTY
DWG. NO.	REV -