

NSS Series

Compact, Non-Spill Stainless Steel
Quick Couplings



Connect with Confidence

When your application involves a critical process environment where fluid loss or air inclusion can cause significant quality or safety issues, Parker's NSS Series non-spill couplings provide a secure connection. Constructed of corrosion resistant, media compatible materials, NSS quick couplings are designed to perform.

Their compact size and guided alignment save time and frustration when connecting fluid lines in confined spaces.

NSS couplings deliver high flow rates with excellent flow vs pressure drop characteristics to maintain optimum system performance and efficiency.



Contact Information: NSS Series Features:

Parker Hannifin Corporation
Quick Coupling Division
8145 Lewis Road
Minneapolis, MN 55427

phone 763 544 7781
fax 763 544 3418
qcd_orders@parker.com

www.parker.com/quickcouplings

- Non-spill valving ensures minimal fluid loss and low air inclusion
- Easy push to connect operation with guided alignment
- High flow and compact size
- Stainless steel construction
- Seal material and end fitting options

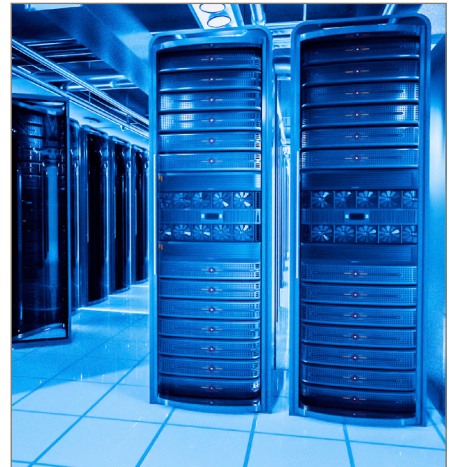


ENGINEERING YOUR SUCCESS.

Engineered to Meet the Stringent Requirements of High Tech Industries

Applications:

- Cooling Lines for Thermal Management Systems
- Drain/Fill Lines
- Lab Equipment
- Chemical Dispensing
- Food and Beverage Service
- Deionized Water Lines
- Chemical Transfer Lines
- High Purity Systems
- Clean Room Applications
- Analyzers
- Pharmaceutical Production



NSS Series Specifications

Body Size	Rated Pressure*	Rated Flow	Temperature Range	Standard Seal Material	Body/Sleeve/Valve Material	Spring Material	Locking Ball Material	Max Spillage/Air Inclusion
3/8	300 psi	10 gpm	-70° to +250° F	Ethylene Propylene	316 Stainless Steel	17-7 Stainless Steel	303 Stainless Steel	0.02 ML Spillage 0.01 ML Air Inclusion
1/2	300 psi	12 gpm	-70° to +250° F	Ethylene Propylene	316 Stainless Steel	17-7 Stainless Steel	303 Stainless Steel	0.07 ML Spillage 0.02 ML Air Inclusion

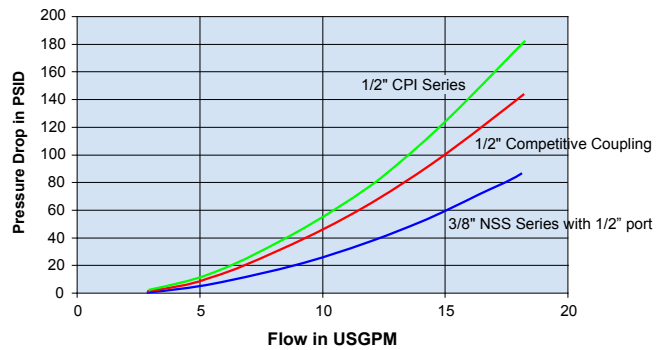
* Operating pressure may be higher for couplings with threaded connections. Contact the Quick Coupling Division with application information to determine the maximum operating pressure.

Seal Material Options

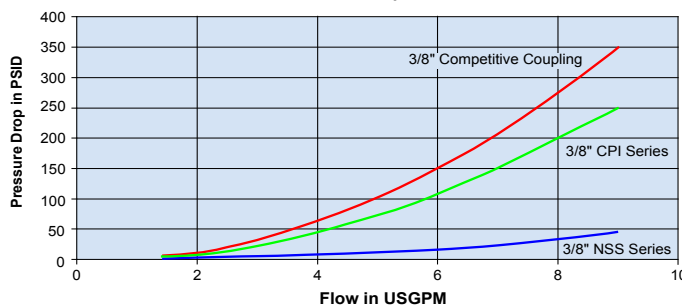
Part Number Suffix	Seal Material
N	Nitrile (NBR)
F	Fluorocarbon (FKM)
C	Neoprene (CR)
G	GFTL Fluorocarbon (FKM)
P	Perfluoroelastomer (FFKM)
L	Fluorosilicone (FVQM)

Performance

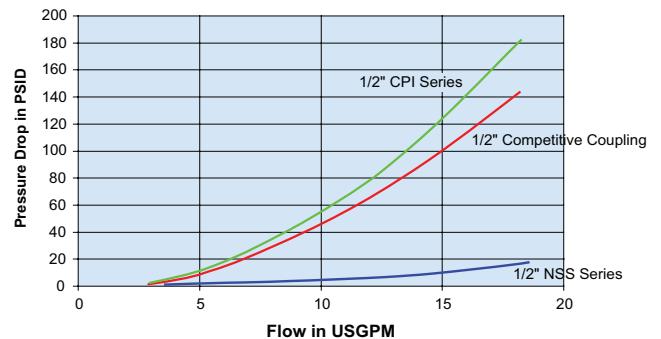
3/8" NSS vs 1/2" Instrumentation Coupler
Pressure Drop vs Flow



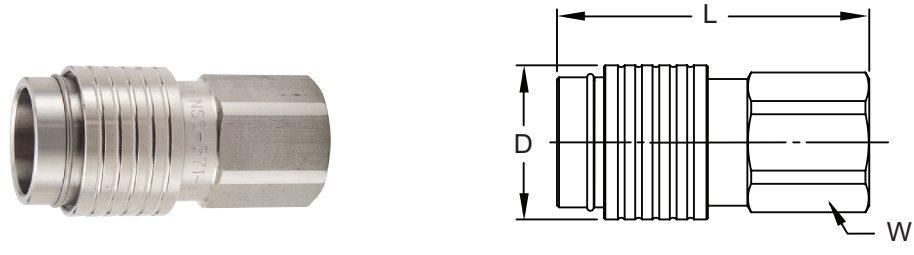
3/8" NSS vs 3/8" Instrumentation Coupler
Pressure Drop vs Flow



1/2" NSS vs 1/2" Instrumentation Coupler
Pressure Drop vs Flow

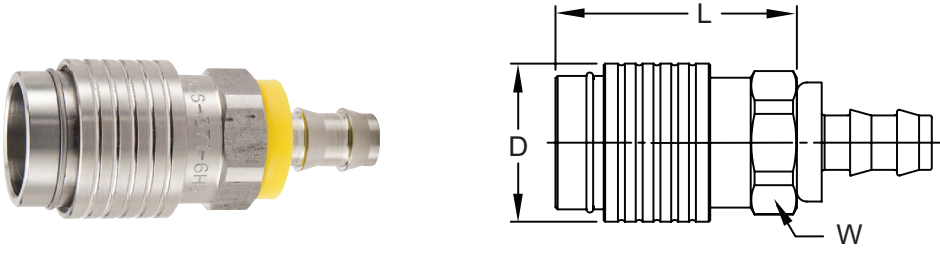


NSS Series Couplers - Female Thread



Body Size	Coupler Part Number	Port End	Length (in)	Diameter (in)	Wrench Flats (in)	Weight (lbs)
3/8	NSS-371-6FO	9/16 - 18 UNF	2.25	1.13	0.94	0.35
3/8	NSS-371-8FO	3/4 - 16 UNF	2.38	1.13	0.94	0.35
1/2	NSS-501-10FO	7/8 - 14 UNF	2.99	1.40	1.25	0.80
1/2	NSS-501-12FO	1 1/16 - 12 UNF	3.10	1.40	1.25	0.80

NSS Series Couplers - Push-LOK® Hose Barb*

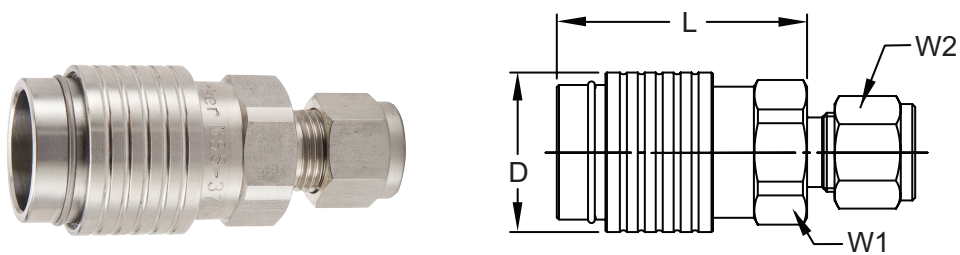


Body Size	Coupler Part Number	Hose ID (in)	Length ** (in)	Diameter (in)	Wrench Flats (in)	Weight (lbs)
3/8	NSS-371-6HB	3/8	1.70	1.13	0.94	0.30
3/8	NSS-371-8HB	1/2	1.62	1.13	0.94	0.30
1/2	NSS-501-8HB	1/2	2.23	1.40	1.25	0.80
1/2	NSS-501-12HB	3/4	2.23	1.40	1.25	0.80

* Push-Lok hose barbs are designed for use with Parker Push-Lok hose and do not require clamps.

** Length is to end of body hex and does not include fitting end.

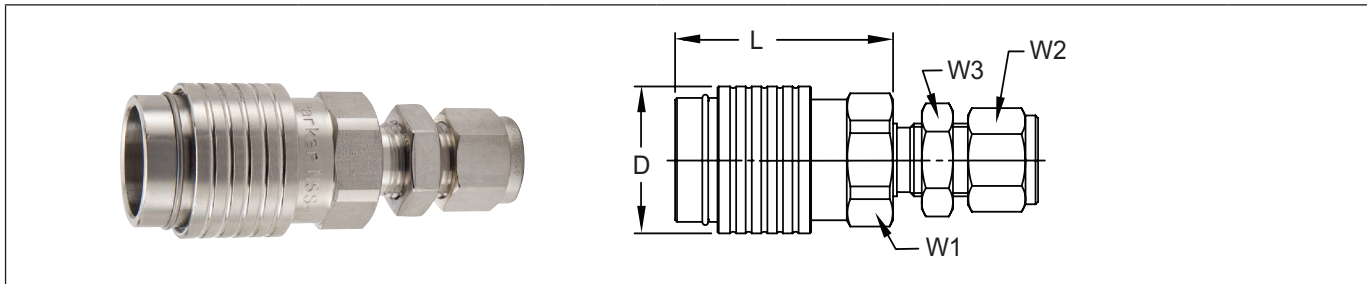
NSS Series Couplers - A-Lok® Compression Fitting



Body Size	Coupler Part Number	Port End	Length* (in)	Diameter (in)	Wrench Flats 1 (in)	Wrench Flats 2 (in)	Weight (lbs)
3/8	NSS-371-6MA	3/8 A-Lok	1.75	1.13	0.94	0.69	0.35
3/8	NSS-371-8MA	1/2 A-Lok	1.67	1.13	0.94	0.88	0.37
1/2	NSS-501-8MA	1/2 A-Lok	2.23	1.40	1.25	0.88	0.80
1/2	NSS-501-12MA	3/4 A-Lok	2.23	1.40	1.25	1.13	0.80

* Length is to end of body hex and does not include fitting end.

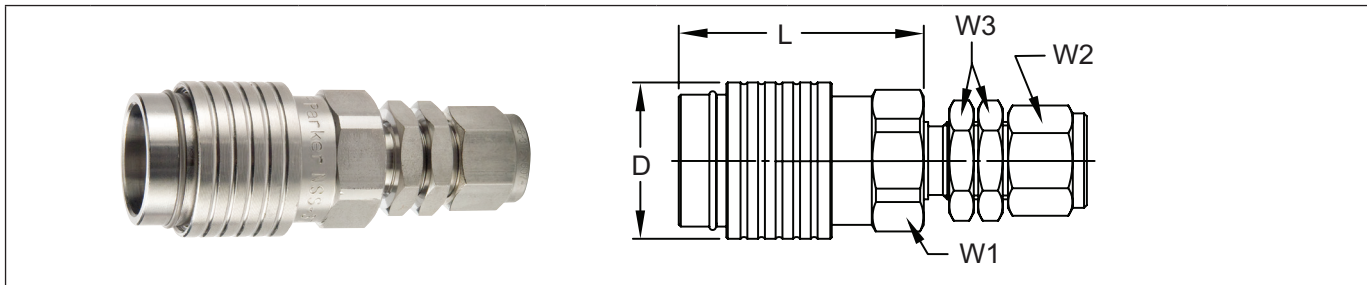
NSS Series Couplers - A-Lok® Compression Fitting / Bulkhead Mount



Body Size	Coupler Part Number	Port End	Length* (in)	Diameter (in)	Wrench Flats 1 (in)	Wrench Flats 2 (in)	Wrench Flats 3 (in)	Weight (lbs)
3/8	NSS-371-6BMA	3/8 A-Lok	1.75	1.13	0.94	0.69	0.75	0.40
1/2	NSS-501-8BMA	1/2 A-Lok	2.23	1.40	1.25	0.88	0.94	0.80
1/2	NSS-501-12BMA	3/4 A-Lok	2.23	1.40	1.25	1.13	1.19	0.80

* Length is to end of body hex and does not include fitting end.

NSS Series Couplers - A-Lok® Compression Fitting / Panel Mount



Body Size	Coupler Part Number	Port End	Length* (in)	Diameter (in)	Wrench Flats 1 (in)	Wrench Flats 2 (in)	Wrench Flats 3 (in)	Weight (lbs)
3/8	NSS-371-6HMA	3/8 A-Lok	1.75	1.13	0.94	0.69	0.75	0.40
1/2	NSS-501-8HMA	1/2 A-Lok	2.23	1.40	1.25	0.88	0.94	0.80
1/2	NSS-501-12HMA	3/4 A-Lok	2.23	1.40	1.25	1.13	1.19	0.80

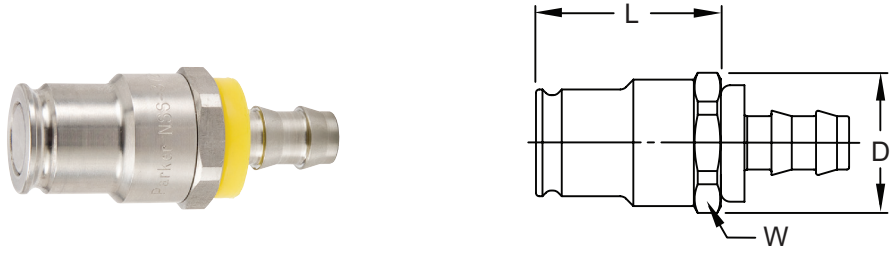
* Length is to end of body hex and does not include fitting end.

NSS Series Nipples - Female Thread



Body Size	Coupler Part Number	Port End	Length (in)	Diameter (in)	Wrench Flats (in)	Weight (lbs)
3/8	NSS-372-6FO	9/16 - 18 UNF	1.84	1.02	0.94	0.20
3/8	NSS-372-8FO	3/4 - 16 UNF	1.99	1.02	0.94	0.20
1/2	NSS-502-10FO	7/8 - 14 UNF	2.99	1.40	1.25	0.80
1/2	NSS-502-12FO	1 1/16 - 12 UNF	3.11	1.40	1.25	0.80

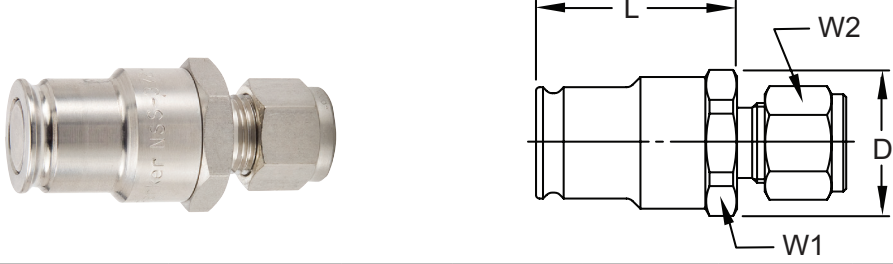
NSS Series Nipples - Push-LOK® Hose Barb*



Body Size	Coupler Part Number	Hose ID (in)	Length ** (in)	Diameter (in)	Wrench Flats (in)	Weight (lbs)
3/8	NSS-372-6HB	3/8	1.37	1.02	0.94	0.15
3/8	NSS-372-8HB	1/2	1.37	1.02	0.94	0.15
1/2	NSS-502-8HB	1/2	1.38	1.38	1.25	0.25
1/2	NSS-502-12HB	3/4	2.23	1.38	1.25	0.25

* Push-Lok hose barbs are designed for use with Parker Push-Lok hose and do not require clamps.
 ** Length is to end of body hex and does not include fitting end.

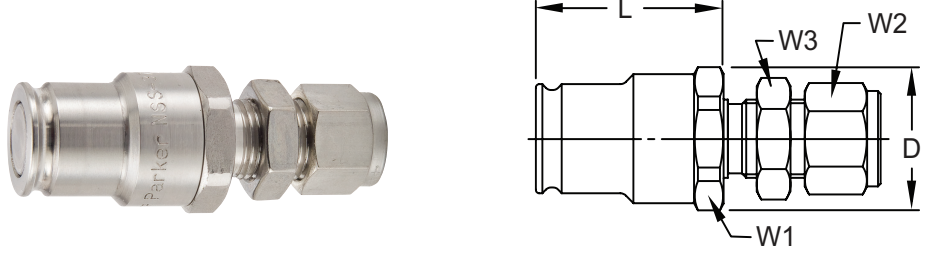
NSS Series Nipples - A-Lok® Compression Fitting



Body Size	Coupler Part Number	Port End	Length* (in)	Diameter (in)	Wrench Flats 1 (in)	Wrench Flats 2 (in)	Weight (lbs)
3/8	NSS-372-6MA	3/8 A-Lok	1.39	1.02	0.94	0.69	0.20
3/8	NSS-372-8MA	1/2 A-Lok	1.39	1.02	0.94	0.88	0.22
1/2	NSS-502-8MA	1/2 A-Lok	2.23	1.38	1.25	0.88	0.25
1/2	NSS-502-12MA	3/4 A-Lok	2.23	1.38	1.25	1.13	0.25

* Length is to end of body hex and does not include fitting end.

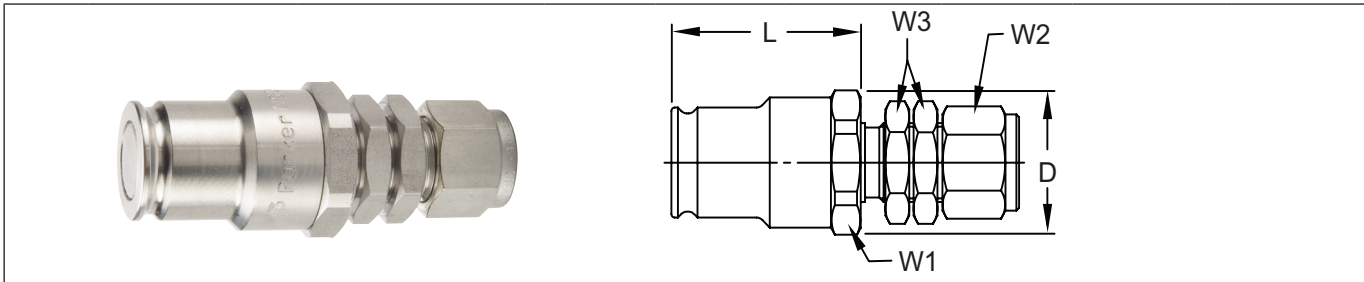
NSS Series Nipples - A-Lok® Compression Fitting / Bulkhead Mount



Body Size	Coupler Part Number	Port End	Length* (in)	Diameter (in)	Wrench Flats 1 (in)	Wrench Flats 2 (in)	Wrench Flats 3 (in)	Weight (lbs)
3/8	NSS-372-6BMA	3/8 A-Lok	1.39	1.02	0.94	0.69	0.75	0.25
1/2	NSS-502-8BMA	1/2 A-Lok	2.23	1.38	1.25	0.88	0.94	0.25
1/2	NSS-502-12BMA	3/4 A-Lok	2.23	1.38	1.25	1.13	1.19	0.25

* Length is to end of body hex and does not include fitting end.

NSS Series Nipples - A-Lok® Compression Fitting / Panel Mount



Body Size	Coupler Part Number	Port End	Length* (in)	Diameter (in)	Wrench Flats 1 (in)	Wrench Flats 2 (in)	Wrench Flats 3 (in)	Weight (lbs)
3/8	NSS-372-6HMA	3/8 A-Lok	1.39	1.02	0.94	0.69	0.75	0.25
1/2	NSS-502-8HMA	1/2 A-Lok	2.23	1.38	1.25	0.88	0.94	0.25
1/2	NSS-502-12HMA	3/4 A-Lok	2.23	1.38	1.25	1.13	1.19	0.25

* Length is to end of body hex and does not include fitting end.



Authorized Distributor

800-525-9085
www.mfcpinc.com

