

CARTRIDGE VALVE CAVITY BODIES

DIN Cavity Bodies

ISO 7368 • DIN 24342 • NFPA T3.5.45 STANDARDS

16mm Body • XA Circuit Page 186

16mm Body • XB Circuit Page 187

25mm Body • XA Circuit Page 188

25mm Body • XB Circuit Page 189

32mm Body • XA Circuit Page 190

32mm Body • XB Circuit Page 191

40mm Body • XA Circuit Page 192

40mm Body • XB Circuit Page 193

50mm Body • XA Circuit Page 194

50mm Body • XB Circuit Page 195

63mm Body • XA Circuit Page 196

63mm Body • XB Circuit Page 197

Sun Cavity Bodies

17-4 Stainless Steel Pages 197.2-197.4

Aluminum Pages 197.5-197.7

Ductile Pages 197.5-197.7

Aluminum With Gauge Ports Pages 197.8-197.10

Ductile With Gauge Ports Pages 197.8-197.10

Common Cavity Bodies

Aluminum Pages 197.11-197.12

Ductile Pages 197.11-197.12

Aluminum With Gauge Ports Pages 197.13-197.14

Ductile With Gauge Ports Pages 197.13-197.14

Sun-Common Cavity Body

Mounting Hardware Pages 197.15-197.16

Flange Mount Bodies

Code 61 Page 197.17

Code 62 Page 197.18



DIN Bodies

The pages in this section are our standard product offerings for DIN bodies. If you need a custom DIN body solution please visit www.daman.com for Request For Quote (RFQ) instructions.

The next two pages contain information about our tooling, inspection and advanced capabilities for creating custom DIN products.

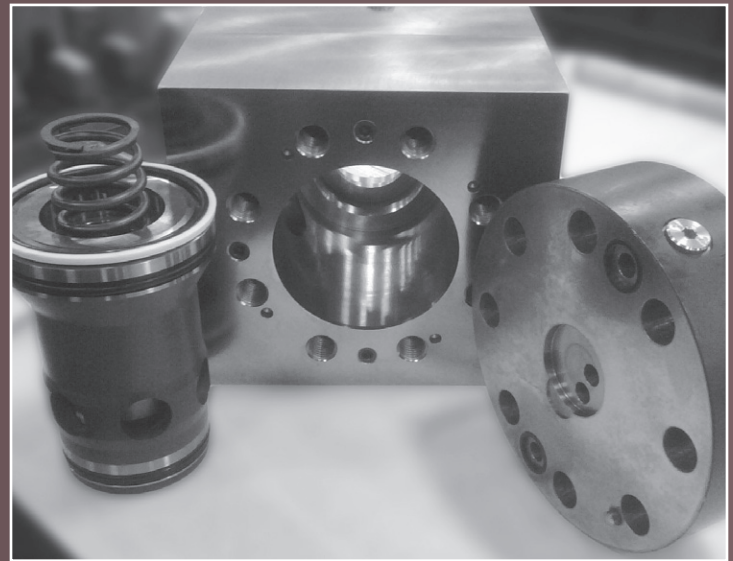


LOGIC VALVE MANIFOLDS

Daman provides both standard and custom logic valve manifolds and bodies. Our team is able to repeatedly meet the high tolerances required in logic valve technology with the help of our dedicated tooling for eight different valve sizes.

Material grades for our logic valve cavities include: aluminum, ductile iron and other grades of steel.

- We have invested over \$320,000 in dedicated tooling and inspection equipment.
- Air gauge equipment includes air spindles and master ring gauges to inspect diameters, taper, and roundness to plus or minus one ten-thousandth of an inch.
- We use profilometers to measure surface finish inside the cavities.
- All Daman manifolds are washed in an ultrasonic wash to remove machining particles and provide light corrosion protection.



The last thing you should have to worry about is your logic valve manifold quality.

To learn more about Daman's logic valve cavities, please contact us.

1811 North Home Street, Mishawaka, Indiana 46545-7267 USA

North America: 800.959.7841 • Fax: 800.241.7664

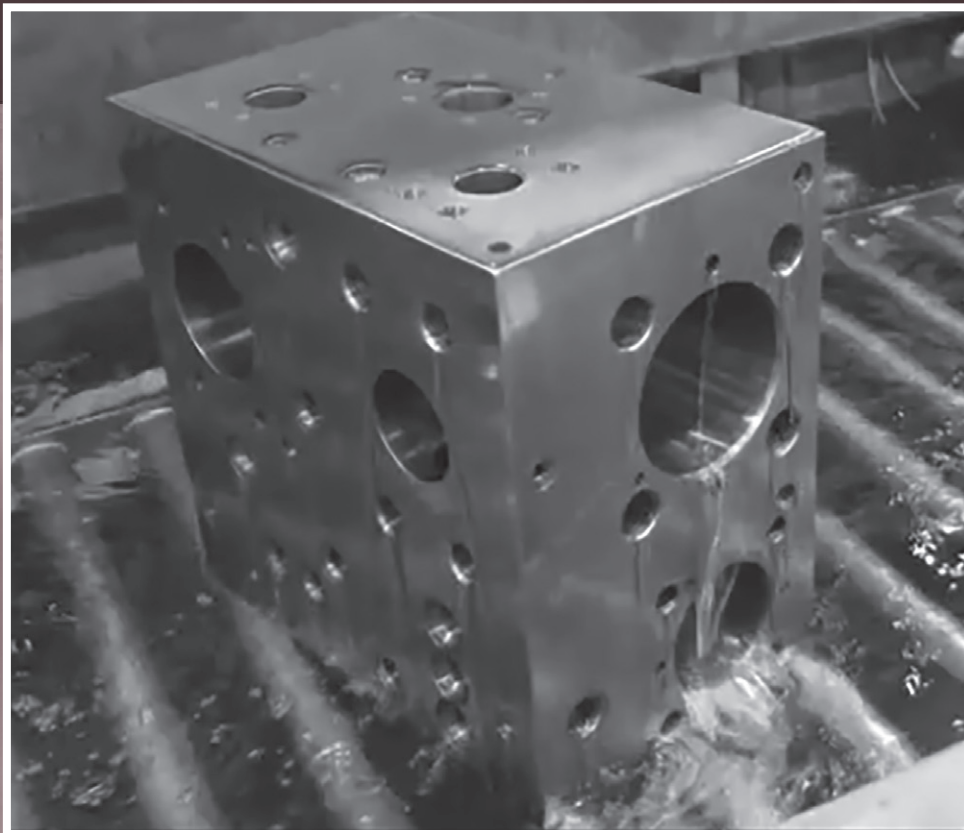
International: Tel: +1.574.259.7841 • Fax: +1.574.259.7665

Email: sales@daman.com • Web: www.daman.com

www.mfcp.com

ULTRASONIC WASH

Daman's commitment to ultrasonic wash technology includes a \$750,000 capital investment to remove machining particles and provide light corrosion protection.

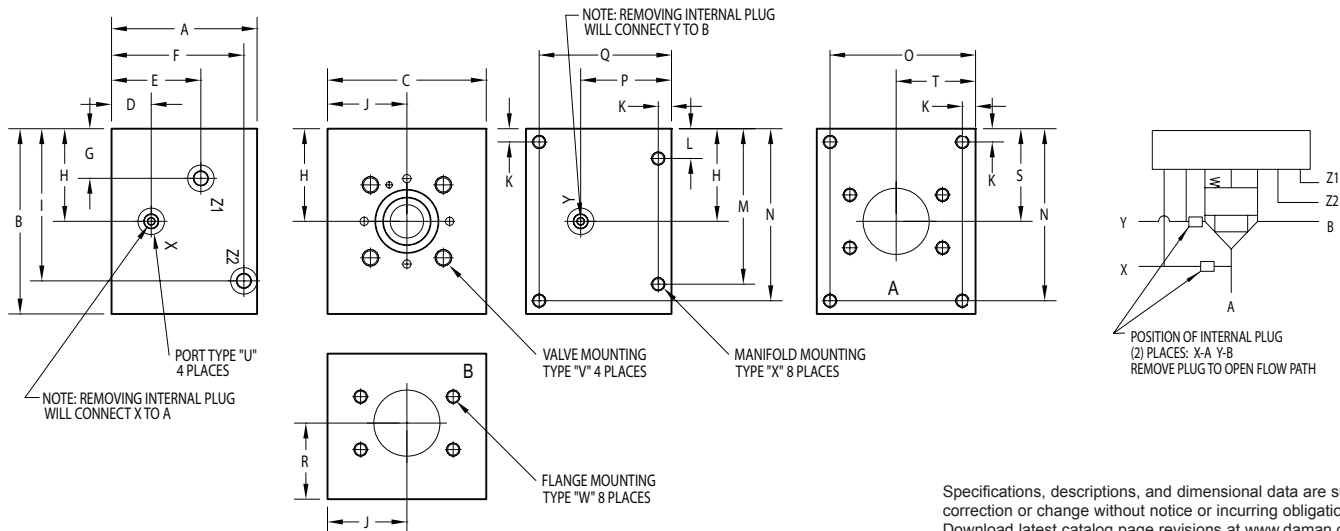



Daman®

www.daman.com

www.mfcp.com

16mm Body • XA Circuit

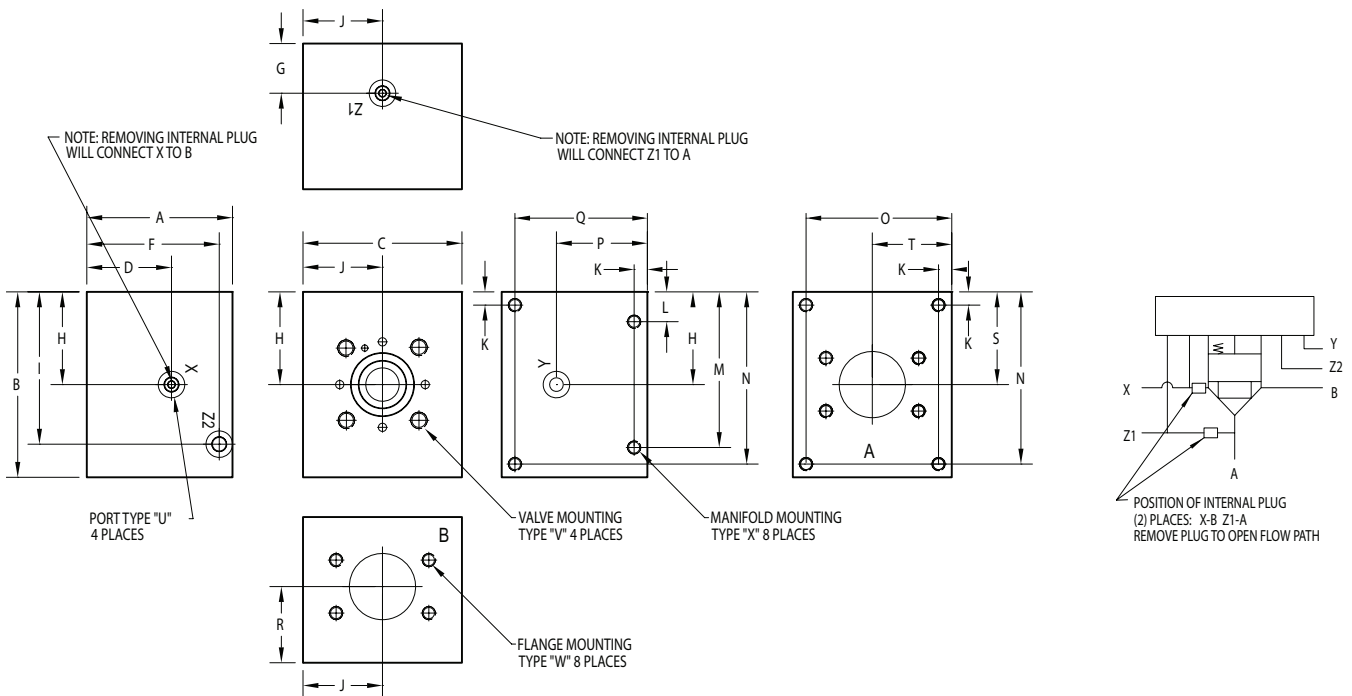


Specifications, descriptions, and dimensional data are subject to correction or change without notice or incurring obligation. Download latest catalog page revisions at www.daman.com.

PART NO.	A	B	C	D	E	F	G	H	I	J	K	L	M	N	O	P
*16XA16F61	3.50	4.00	3.00	1.00	1.56	2.00	0.75	1.63	2.63	1.50	0.31	0.69	3.31	3.69	2.69	2.14
*16XA16F61M	[88.9]	[101.6]	[76.2]	[25.4]	[39.7]	[50.8]	[19.1]	[41.3]	[66.7]	[38.1]	[7.9]	[17.5]	[84.1]	[93.7]	[68.3]	[54.3]
*16XB16F61	3.50	4.00	3.00	2.14	--	2.00	1.00	1.63	2.63	1.50	0.31	0.69	3.31	3.69	2.69	2.14
*16XB16F61M	[88.9]	[101.6]	[76.2]	[54.3]	--	[50.8]	[25.4]	[41.3]	[66.7]	[38.1]	[7.9]	[17.5]	[84.1]	[93.7]	[68.3]	[54.3]
D16XA16F62	3.50	4.25	3.50	1.00	1.56	2.00	0.88	1.88	2.88	1.75	0.31	0.69	3.56	3.94	3.19	2.14
D16XA16F62M	[88.9]	[108.0]	[88.9]	[25.4]	[39.7]	[50.8]	[22.2]	[47.6]	[73.0]	[44.5]	[7.9]	[17.5]	[90.5]	[100.0]	[81.0]	[54.3]
D16XB16F62	3.50	4.25	3.50	2.14	--	2.00	1.00	1.88	2.88	1.75	0.31	0.69	3.56	3.94	3.19	2.14
D16XB16F62M	[88.9]	[108.0]	[88.9]	[54.3]	--	[50.8]	[25.4]	[47.6]	[73.0]	[44.5]	[7.9]	[17.5]	[90.5]	[100.0]	[81.0]	[54.3]
*16XA20F61	3.50	4.00	3.50	1.00	2.14	2.14	0.63	1.63	2.63	1.75	0.31	0.66	3.34	3.69	3.19	2.14
*16XA20F61M	[88.9]	[101.6]	[88.9]	[25.4]	[54.3]	[54.3]	[15.9]	[41.3]	[66.7]	[44.5]	[7.9]	[16.7]	[84.9]	[93.6]	[81.0]	[54.3]
*16XB20F61	3.50	4.00	3.50	2.14	--	2.14	1.00	1.63	2.63	1.75	0.31	0.66	3.34	3.69	3.19	2.14
*16XB20F61M	[88.9]	[101.6]	[88.9]	[54.3]	--	[54.3]	[25.4]	[41.3]	[66.7]	[44.5]	[7.9]	[16.7]	[84.9]	[93.6]	[81.0]	[54.3]
D16XA20F62	4.00	4.50	4.00	1.50	2.64	2.50	1.13	2.13	3.13	2.00	0.38	0.88	3.63	4.13	3.63	2.64
D16XA20F62M	[101.6]	[114.3]	[101.6]	[38.1]	[67.1]	[63.5]	[28.6]	[54.0]	[79.4]	[50.8]	[9.5]	[22.2]	[92.1]	[104.8]	[92.1]	[67.1]
D16XB20F62	4.00	4.50	4.00	2.64	--	2.50	1.50	2.13	3.13	2.00	0.38	0.88	3.63	4.13	3.63	2.64
D16XB20F62M	[101.6]	[114.3]	[101.6]	[67.1]	--	[63.5]	[38.1]	[54.0]	[79.4]	[50.8]	[9.5]	[22.2]	[92.1]	[104.8]	[92.1]	[67.1]

PART NO.	Q	R	S	T	U pilot port size	V valve mounting	W flange mounting	X manifold mounting
*16XA16F61	3.19	2.14	1.63	1.50	SAE #4	0.31 UNC x 0.88 DP	0.38 UNC x 0.88 DP	0.31 UNC x 0.63 DP
*16XA16F61M	[81.0]	[54.3]	[41.3]	[38.1]	ISO 6149 M10	M8 ISO 6H x [22] DP	M10 ISO 6H x [22] DP	M8 ISO 6H x [16] DP
*16XB16F61	3.19	2.14	1.63	1.50	SAE #4	0.31 UNC x 0.88 DP	0.38 UNC x 0.88 DP	0.31 UNC x 0.63 DP
*16XB16F61M	[81.0]	[54.3]	[41.3]	[38.1]	ISO 6149 M10	M8 ISO 6H x [22] DP	M10 ISO 6H x [22] DP	M8 ISO 6H x [16] DP
D16XA16F62	3.19	2.00	1.88	1.75	SAE #4	0.31 UNC x 0.88 DP	0.44 UNC x 1.12 DP	0.31 UNC x 0.63 DP
D16XA16F62M	[81.0]	[50.8]	[47.6]	[44.5]	ISO 6149 M10	M8 ISO 6H x [22] DP	M12 ISO 6H x [30] DP	M8 ISO 6H x [16] DP
D16XB16F62	3.19	2.00	1.88	1.75	SAE #4	0.31 UNC x 0.88 DP	0.44 UNC x 1.12 DP	0.31 UNC x 0.63 DP
D16XB16F62M	[81.0]	[50.8]	[47.6]	[44.5]	ISO 6149 M10	M8 ISO 6H x [22] DP	M12 ISO 6H x [30] DP	M8 ISO 6H x [16] DP
*16XA20F61	3.19	2.14	1.67	1.75	SAE #4	0.31 UNC x 0.88 DP	0.44 UNC x 1.12 DP	0.31 UNC x 0.63 DP
*16XA20F61M	[81.0]	[54.3]	[42.5]	[44.5]	ISO 6149 M10	M8 ISO 6H x [22] DP	M10 ISO 6H x [28] DP	M8 ISO 6H x [16] DP
*16XB20F61	3.19	2.14	1.67	1.75	SAE #4	0.31 UNC x 0.88 DP	0.44 UNC x 1.12 DP	0.31 UNC x 0.63 DP
*16XB20F61M	[81.0]	[54.3]	[42.5]	[44.5]	ISO 6149 M10	M8 ISO 6H x [22] DP	M10 ISO 6H x [28] DP	M8 ISO 6H x [16] DP
D16XA20F62	3.63	2.47	2.13	2.00	SAE #4	0.31 UNC x 0.88 DP	0.50 UNC x 1.19 DP	0.38 UNC x 1.00 DP
D16XA20F62M	[92.1]	[62.7]	[54.0]	[50.8]	ISO 6149 M10	M8 ISO 6H x [22] DP	M12 ISO 6H x [30] DP	M10 ISO 6H x [25] DP
D16XB20F62	3.63	2.47	2.13	2.00	SAE #4	0.31 UNC x 0.88 DP	0.50 UNC x 1.19 DP	0.38 UNC x 1.00 DP
D16XB20F62M	[92.1]	[62.7]	[54.0]	[50.8]	ISO 6149 M10	M8 ISO 6H x [22] DP	M12 ISO 6H x [30] DP	M10 ISO 6H x [25] DP

16mm Body • XB Circuit



Specifications, descriptions, and dimensional data are subject to correction or change without notice or incurring obligation. Download latest catalog page revisions at www.daman.com.

Ordering Information

For **coating options** see pages 245-246.

Material	Valve Cavity	Pilot Circuit	A & B Port Size	Flange Rating	Thread Type
----------	--------------	---------------	-----------------	---------------	-------------

Material	
A	Aluminum - 6061-T6 3000 [†] psi • 20.7 MPa
D	Ductile Iron - D4512 5000 [†] psi • 34.5 MPa

[†] Working pressure should be considered in accordance with ISO 4413 to determine appropriate material type.

Pilot Circuit	
XA	X common to A Y common to B
XB	X common to B Z1 common to A

These connections are furnished plugged (external pilot ports). Remove plugs for internal pilot ports. See circuit diagram.

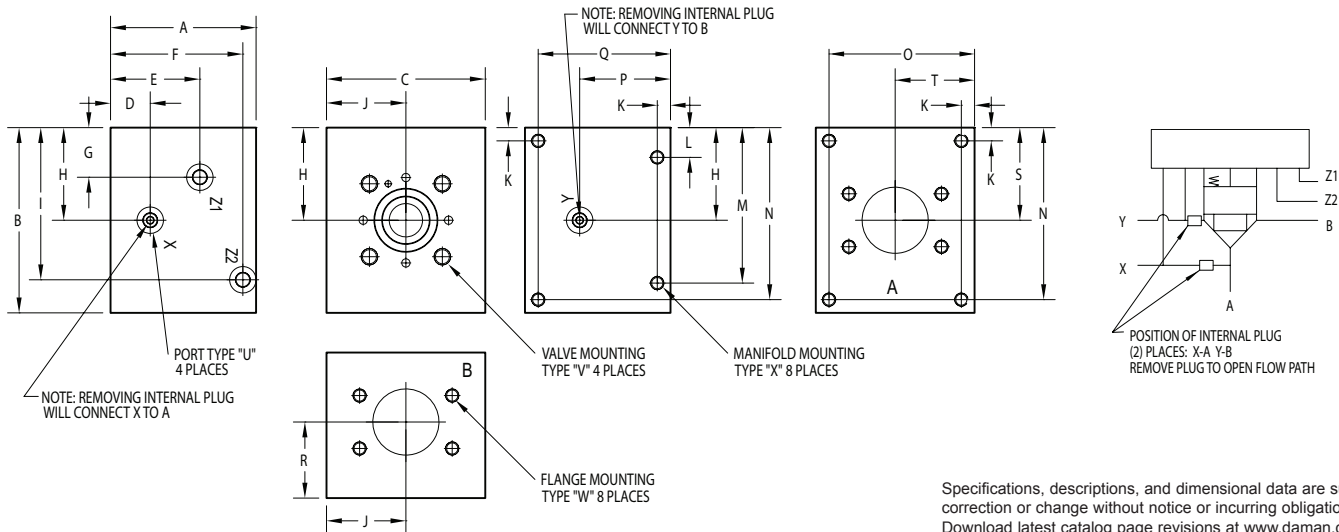
Flange Rating	
Aluminum or Ductile	
61	ISO 6162 - 2.5 to 35 MPa SAE code 61
Ductile only	
62	ISO 6162 - 40 MPa series SAE code 62

Valve Cavity	
16	DIN 24342 - 16mm ISO 7368-06-01 (Standard currently under revision) NFPA T3.5.45-BA-06-2-A

A & B Port Size	
16F	ISO 6162 - DN25 Split Flange SAE Size 16 (1.00") Flange
20F	ISO 6162 - DN32 Split Flange SAE Size 20 (1.25") Flange

Thread Type	
Omit	Inch threads / ports
M	Metric threads / ports

25mm Body • XA Circuit

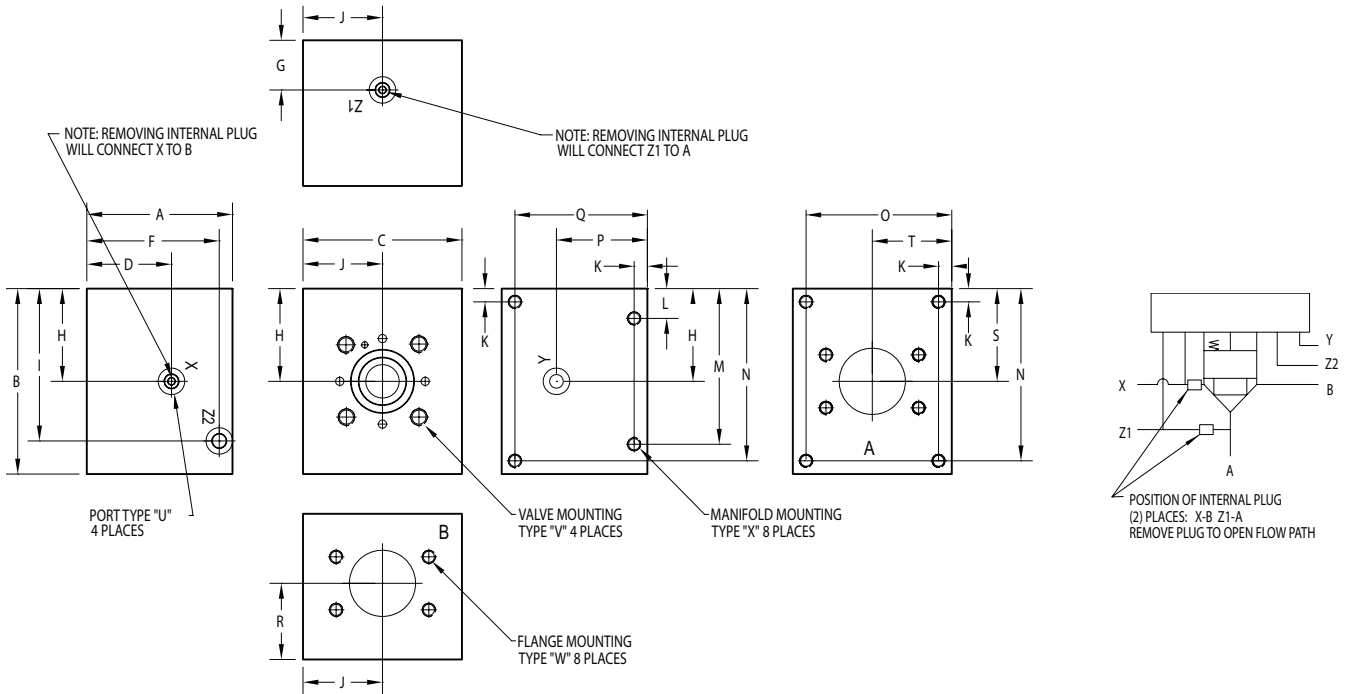


Specifications, descriptions, and dimensional data are subject to correction or change without notice or incurring obligation. Download latest catalog page revisions at www.daman.com.

PART NO.	A	B	C	D	E	F	G	H	I	J	K	L	M	N	O	P
*25XA20F61	4.00	5.00	4.50	0.75	2.13	3.50	0.53	1.88	3.75	2.25	0.38	0.88	4.13	4.63	4.13	2.25
*25XA20F61M	[101.6]	[127.0]	[114.3]	[19.1]	[54.0]	[88.9]	[13.5]	[47.6]	[95.3]	[57.2]	[9.5]	[22.2]	[104.8]	[117.5]	[104.8]	[57.2]
*25XB20F61	4.00	5.00	4.50	2.25	--	3.50	0.75	1.88	3.75	2.25	0.38	0.88	4.13	4.63	4.13	2.25
*25XB20F61M	[101.6]	[127.0]	[114.3]	[57.2]	--	[88.9]	[19.1]	[47.6]	[95.3]	[57.2]	[9.5]	[22.2]	[104.8]	[117.5]	[104.8]	[57.2]
D25XA20F62	4.00	5.00	4.50	0.75	2.13	3.50	0.72	2.06	3.94	2.25	0.38	0.88	4.13	4.63	4.13	2.25
D25XA20F62M	[101.6]	[127.0]	[114.3]	[19.1]	[54.0]	[88.9]	[18.3]	[52.4]	[100.0]	[57.2]	[9.5]	[22.2]	[104.8]	[117.5]	[104.8]	[57.2]
D25XB20F62	4.00	5.00	4.50	2.25	--	3.50	0.75	2.06	3.94	2.25	0.38	0.88	4.13	4.63	4.13	2.25
D25XB20F62M	[101.6]	[127.0]	[114.3]	[57.2]	--	[88.9]	[19.1]	[52.4]	[100.0]	[57.2]	[9.5]	[22.2]	[104.8]	[117.5]	[104.8]	[57.2]
*25XA32F61	5.00	6.00	4.50	1.75	3.13	4.50	1.53	2.88	4.75	2.25	0.50	1.13	4.88	5.50	4.00	3.25
*25XA32F61M	[127.0]	[152.4]	[114.3]	[44.5]	[79.4]	[114.3]	[38.9]	[73.0]	[120.7]	[57.2]	[12.7]	[28.6]	[123.8]	[139.7]	[101.6]	[82.6]
*25XB32F61	5.00	6.00	4.50	3.25	--	4.50	1.75	2.88	4.75	2.25	0.50	1.13	4.88	5.50	4.00	3.25
*25XB32F61M	[127.0]	[152.4]	[114.3]	[82.6]	--	[114.3]	[44.5]	[73.0]	[120.7]	[57.2]	[12.7]	[28.6]	[123.8]	[139.7]	[101.6]	[82.6]
D25XA32F62	5.00	6.50	6.00	1.75	3.13	4.50	1.78	3.13	5.00	3.00	0.50	1.13	5.38	6.00	5.50	3.25
D25XA32F62M	[127.0]	[165.1]	[152.4]	[44.5]	[79.4]	[114.3]	[45.2]	[79.4]	[127.0]	[76.2]	[12.7]	[28.6]	[136.5]	[152.4]	[139.7]	[82.6]
D25XB32F62	5.00	6.50	6.00	3.25	--	4.50	1.75	3.13	5.00	3.00	0.50	1.13	5.38	6.00	5.50	3.25
D25XB32F62M	[101.6]	[165.1]	[152.4]	[82.6]	--	[114.3]	[44.5]	[79.4]	[127.0]	[76.2]	[12.7]	[28.6]	[136.5]	[152.4]	[139.7]	[82.6]

PART NO.	Q	R	S	T	U pilot port size	V valve mounting	W flange mounting	X manifold mounting
*25XA20F61	3.63	2.25	1.88	2.25	SAE #6	0.50 UNC x 1.19 DP	0.44 UNC x 1.12 DP	0.38 UNC x 0.75 DP
*25XA20F61M	[92.1]	[57.2]	[47.6]	[57.2]	ISO 6149 M14	M12 ISO 6H x 30 DP	M10 ISO 6H x 28 DP	M10 ISO 6H x 19 DP
*25XB20F61	3.63	2.25	1.88	2.25	SAE #6	0.50 UNC x 1.19 DP	0.44 UNC x 1.12 DP	0.38 UNC x 0.75 DP
*25XB20F61M	[92.1]	[57.2]	[47.6]	[57.2]	ISO 6149 M14	M12 ISO 6H x 30 DP	M10 ISO 6H x 28 DP	M10 ISO 6H x 19 DP
D25XA20F62	3.63	2.25	2.06	2.25	SAE #6	0.50 UNC x 1.19 DP	0.50 UNC x 1.19 DP	0.38 UNC x 1.00 DP
D25XA20F62M	[92.1]	[57.2]	[52.4]	[57.2]	ISO 6149 M14	M12 ISO 6H x 30 DP	M12 ISO 6H x 30 DP	M10 ISO 6H x 25 DP
D25XB20F62	3.63	2.25	2.06	2.25	SAE #6	0.50 UNC x 1.19 DP	0.50 UNC x 1.19 DP	0.38 UNC x 1.00 DP
D25XB20F62M	[92.1]	[57.2]	[52.4]	[57.2]	ISO 6149 M14	M12 ISO 6H x 30 DP	M12 ISO 6H x 30 DP	M10 ISO 6H x 25 DP
*25XA32F61	4.50	2.75	2.88	2.25	SAE #6	0.50 UNC x 1.19 DP	0.50 UNC x 1.19 DP	0.50 UNC x 1.00 DP
*25XA32F61M	[114.3]	[69.9]	[73.0]	[57.2]	ISO 6149 M14	M12 ISO 6H x 30 DP	M12 ISO 6H x 30 DP	M12 ISO 6H x 25 DP
*25XB32F61	4.50	2.75	2.88	2.25	SAE #6	0.50 UNC x 1.19 DP	0.50 UNC x 1.19 DP	0.50 UNC x 1.00 DP
*25XB32F61M	[114.3]	[69.9]	[73.0]	[57.2]	ISO 6149 M14	M12 ISO 6H x 30 DP	M12 ISO 6H x 30 DP	M12 ISO 6H x 25 DP
D25XA32F62	4.50	2.75	3.13	3.00	SAE #6	0.50 UNC x 1.19 DP	0.75 UNC x 1.62 DP	0.50 UNC x 1.00 DP
D25XA32F62M	[114.3]	[69.9]	[79.4]	[76.2]	ISO 6149 M14	M12 ISO 6H x 30 DP	M20 ISO 6H x 41 DP	M12 ISO 6H x 25 DP
D25XB32F62	4.50	2.75	3.13	3.00	SAE #6	0.50 UNC x 1.19 DP	0.75 UNC x 1.62 DP	0.50 UNC x 1.00 DP
D25XB32F62M	[114.3]	[69.9]	[79.4]	[76.2]	ISO 6149 M14	M12 ISO 6H x 30 DP	M20 ISO 6H x 41 DP	M12 ISO 6H x 25 DP

25mm Body • XB Circuit



Specifications, descriptions, and dimensional data are subject to correction or change without notice or incurring obligation. Download latest catalog page revisions at www.daman.com.

Ordering Information

For coating options see pages 245-246.

Material	Valve Cavity	Pilot Circuit	A & B Port Size	Flange Rating	Thread Type
----------	--------------	---------------	-----------------	---------------	-------------

Material	
A	Aluminum - 6061-T6 3000 [†] psi • 20.7 MPa
D	Ductile Iron - D4512 5000 [†] psi • 34.5 MPa

[†] Working pressure should be considered in accordance with ISO 4413 to determine appropriate material type.

Pilot Circuit	
XA	X common to A Y common to B
XB	X common to B Z1 common to A

These connections are furnished plugged (external pilot ports). Remove plugs for internal pilot ports. See circuit diagram.

Flange Rating	
Aluminum or Ductile	
61	ISO 6162 - 2.5 to 35 MPa SAE code 61
Ductile only	
62	ISO 6162 - 40 MPa series SAE code 62

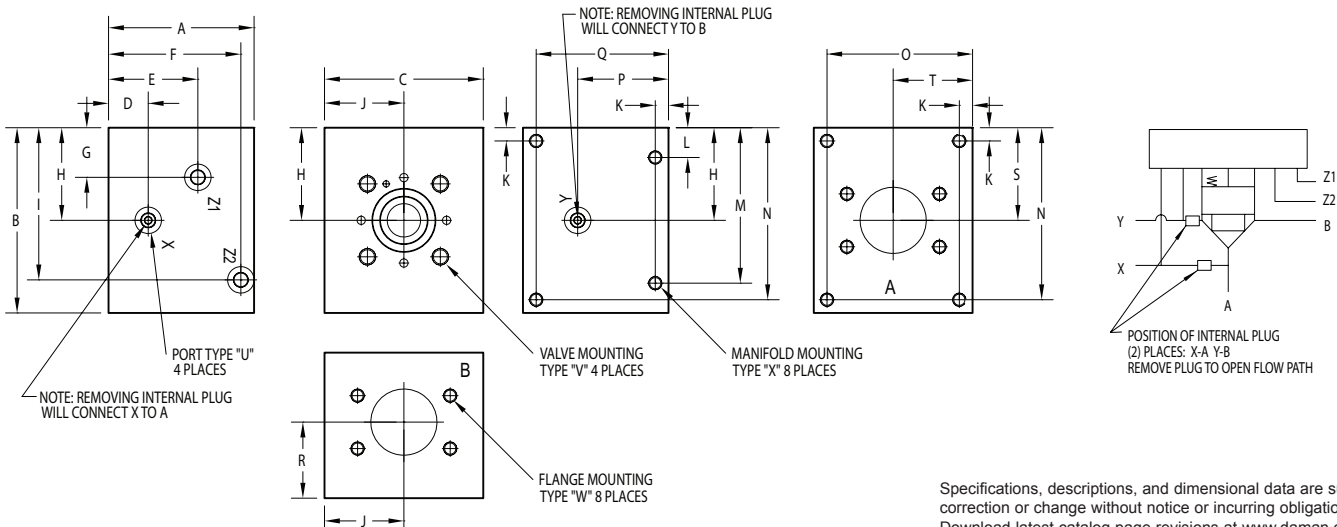
Valve Cavity	
25	DIN 24342 - 25mm ISO 7368-08-03 (Standard currently under revision) NFPA T3.5.45-BB-08-2-A

A & B Port Size	
20F	ISO 6162 - DN32 Split Flange SAE Size 20 (1.25") Flange
32F	ISO 6162 - DN51 Split Flange SAE Size 32 (2.00") Flange

Thread Type	
Omit	Inch threads / ports
M	Metric threads / ports

Standard Manifolds
Cover Plates
Valve Adaptors
Subplates
Servo Valve Subplates
Tapping Plates
Cartridge Valve Cavity Bodies
Header and Junction Blocks
Sandwich Modules
Technical Information

32mm Body • XA Circuit

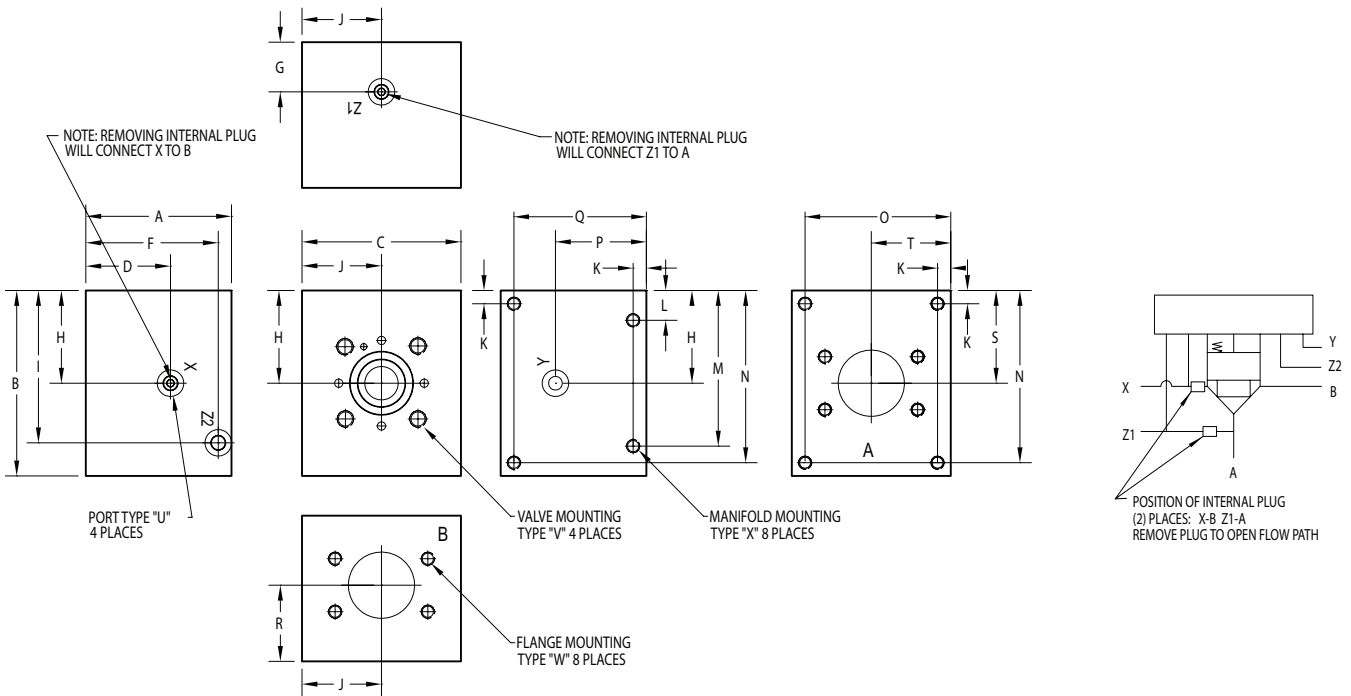


Specifications, descriptions, and dimensional data are subject to correction or change without notice or incurring obligation. Download latest catalog page revisions at www.daman.com.

PART NO.	A	B	C	D	E	F	G	H	I	J	K	L	M	N	O	P
*32XA24F61	5.50	6.00	6.00	1.50	3.38	5.00	0.88	2.50	4.75	3.00	0.50	1.13	4.88	5.50	5.50	3.43
*32XA24F61M	[139.7]	[152.4]	[152.4]	[38.1]	[85.7]	[127.0]	[22.2]	[63.5]	[120.7]	[76.2]	[12.7]	[28.6]	[123.8]	[139.7]	[139.7]	[87.2]
*32XB24F61	5.50	6.00	6.00	3.43	--	5.00	1.50	2.50	4.75	3.00	0.50	1.13	4.88	5.50	5.50	3.43
*32XB24F61M	[139.7]	[152.4]	[152.4]	[87.2]	--	[127.0]	[38.1]	[63.5]	[120.7]	[76.2]	[12.7]	[28.6]	[123.8]	[139.7]	[139.7]	[87.2]
D32XA24F62	5.50	6.00	6.00	1.50	3.38	5.00	0.88	2.50	4.75	3.00	0.50	1.13	4.88	5.50	5.50	3.43
D32XA24F62M	[139.7]	[152.4]	[152.4]	[38.1]	[85.7]	[127.0]	[22.2]	[63.5]	[120.7]	[76.2]	[12.7]	[28.6]	[123.8]	[139.7]	[139.7]	[87.2]
D32XB24F62	5.50	6.00	6.00	3.43	--	5.00	1.50	2.50	4.75	3.00	0.50	1.13	4.88	5.50	5.50	3.43
D32XB24F62M	[139.7]	[152.4]	[152.4]	[87.2]	--	[127.0]	[38.1]	[63.5]	[120.7]	[76.2]	[12.7]	[28.6]	[123.8]	[139.7]	[139.7]	[87.2]
*32XA40F61	5.50	7.00	6.00	1.50	3.38	5.00	1.88	3.50	5.75	3.00	0.50	1.13	5.88	6.50	5.50	3.43
*32XA40F61M	[139.7]	[177.8]	[152.4]	[38.1]	[85.7]	[127.0]	[47.6]	[88.9]	[146.1]	[76.2]	[12.7]	[28.6]	[149.2]	[165.1]	[139.7]	[87.2]
*32XB40F61	5.50	7.00	6.00	3.43	--	5.00	1.50	3.50	5.75	3.00	0.50	1.13	5.88	6.50	5.50	3.43
*32XB40F61M	[139.7]	[177.8]	[152.4]	[87.2]	--	[127.0]	[38.1]	[88.9]	[146.1]	[76.2]	[12.7]	[28.6]	[149.2]	[165.1]	[139.7]	[87.2]
D32XA40F62	6.50	8.00	7.50	2.50	4.38	6.00	2.38	4.00	6.25	3.75	0.63	1.38	6.63	7.38	6.88	4.43
D32XA40F62M	[165.1]	[203.2]	[190.5]	[63.5]	[111.1]	[152.4]	[60.3]	[101.6]	[158.8]	[95.3]	[15.9]	[34.9]	[168.3]	[187.3]	[174.6]	[112.6]
D32XB40F62	6.50	8.00	7.50	4.43	--	6.00	2.50	4.00	6.25	3.75	0.63	1.38	6.63	7.38	6.88	4.43
D32XB40F62M	[165.1]	[203.2]	[190.5]	[112.6]	--	[152.4]	[63.5]	[101.6]	[158.8]	[95.3]	[15.9]	[34.9]	[168.3]	[187.3]	[174.6]	[112.6]

PART NO.	Q	R	S	T	U pilot port size	V valve mounting	W flange mounting	X manifold mounting
*32XA24F61	5.00	3.43	2.50	3.00	SAE #6	0.63 UNC x 1.44 DP	0.50 UNC x 1.19 DP	0.50 UNC x 1.00 DP
*32XA24F61M	[127.0]	[87.2]	[63.5]	[76.2]	ISO 6149 M14	M16 ISO 6H x 36 DP	M12 ISO 6H x 30 DP	M12 ISO 6H x 25 DP
*32XB24F61	5.00	3.43	2.50	3.00	SAE #6	0.63 UNC x 1.44 DP	0.50 UNC x 1.19 DP	0.50 UNC x 1.00 DP
*32XB24F61M	[127.0]	[87.2]	[63.5]	[76.2]	ISO 6149 M14	M16 ISO 6H x 36 DP	M12 ISO 6H x 30 DP	M12 ISO 6H x 25 DP
D32XA24F62	5.00	3.43	2.50	3.00	SAE #6	0.63 UNC x 1.44 DP	0.63 UNC x 1.44 DP	0.50 UNC x 1.00 DP
D32XA24F62M	[127.0]	[87.2]	[63.5]	[76.2]	ISO 6149 M14	M16 ISO 6H x 36 DP	M16 ISO 6H x 36 DP	M12 ISO 6H x 25 DP
D32XB24F62	5.00	3.43	2.50	3.00	SAE #6	0.63 UNC x 1.44 DP	0.63 UNC x 1.44 DP	0.50 UNC x 1.00 DP
D32XB24F62M	[127.0]	[87.2]	[63.5]	[76.2]	ISO 6149 M14	M16 ISO 6H x 36 DP	M16 ISO 6H x 36 DP	M12 ISO 6H x 25 DP
*32XA40F61	5.00	2.88	3.50	3.00	SAE #6	0.63 UNC x 1.44 DP	0.50 UNC x 1.19 DP	0.50 UNC x 1.00 DP
*32XA40F61M	[127.0]	[73.0]	[88.9]	[76.2]	ISO 6149 M14	M16 ISO 6H x 36 DP	M12 ISO 6H x 30 DP	M12 ISO 6H x 25 DP
*32XB40F61	5.00	2.88	3.50	3.00	SAE #6	0.63 UNC x 1.44 DP	0.50 UNC x 1.19 DP	0.50 UNC x 1.00 DP
*32XB40F61M	[127.0]	[73.0]	[88.9]	[76.2]	ISO 6149 M14	M16 ISO 6H x 36 DP	M12 ISO 6H x 30 DP	M12 ISO 6H x 25 DP
D32XA40F62	5.88	3.38	4.00	3.75	SAE #6	0.63 UNC x 1.44 DP	0.88 UNC x 1.88 DP	0.63 UNC x 1.44 DP
D32XA40F62M	[149.2]	[85.7]	[101.6]	[95.3]	ISO 6149 M14	M16 ISO 6H x 36 DP	M24 ISO 6H x 48 DP	M16 ISO 6H x 36 DP
D32XB40F62	5.88	3.38	4.00	3.75	SAE #6	0.63 UNC x 1.44 DP	0.88 UNC x 1.88 DP	0.63 UNC x 1.44 DP
D32XB40F62M	[149.2]	[85.7]	[101.6]	[95.3]	ISO 6149 M14	M16 ISO 6H x 36 DP	M24 ISO 6H x 48 DP	M16 ISO 6H x 36 DP

32mm Body • XB Circuit



Specifications, descriptions, and dimensional data are subject to correction or change without notice or incurring obligation. Download latest catalog page revisions at www.daman.com.

Ordering Information

For coating options see pages 245-246.

Material	Valve Cavity	Pilot Circuit	A & B Port Size	Flange Rating	Thread Type
----------	--------------	---------------	-----------------	---------------	-------------

Material	
A	Aluminum - 6061-T6 3000† psi • 20.7 MPa
D	Ductile Iron - D4512 5000† psi • 34.5 MPa

† Working pressure should be considered in accordance with ISO 4413 to determine appropriate material type.

Pilot Circuit	
XA	X common to A Y common to B
XB	X common to B Z1 common to A

These connections are furnished plugged (external pilot ports). Remove plugs for internal pilot ports. See circuit diagram.

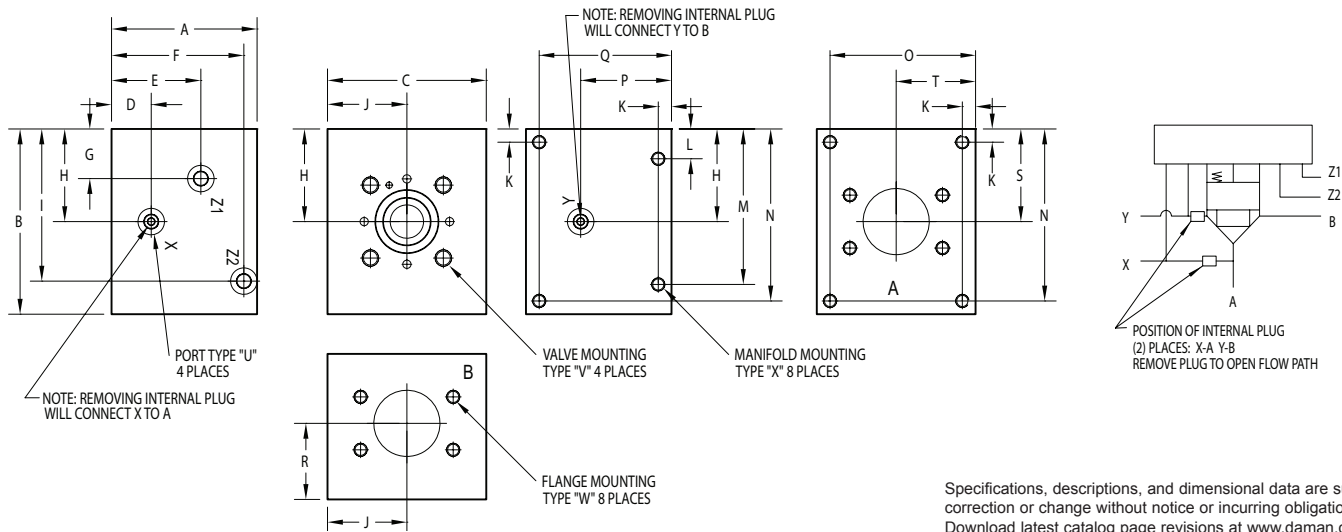
Flange Rating	
Aluminum or Ductile	
61	ISO 6162 - 2.5 to 35 MPa SAE code 61
Ductile only	
62	ISO 6162 - 40 MPa series SAE code 62

Valve Cavity	
32	DIN 24342 - 32mm ISO 7368-09-05 (Standard currently under revision) NFPA T3.5.45-BC-09-2-A

A & B Port Size	
24F	ISO 6162 - DN38 Split Flange SAE Size 24 (1.50") Flange
40F	ISO 6162 - DN64 Split Flange SAE Size 40 (2.50") Flange

Thread Type	
Omit	Inch threads / ports
M	Metric threads / ports

40mm Body • XA Circuit

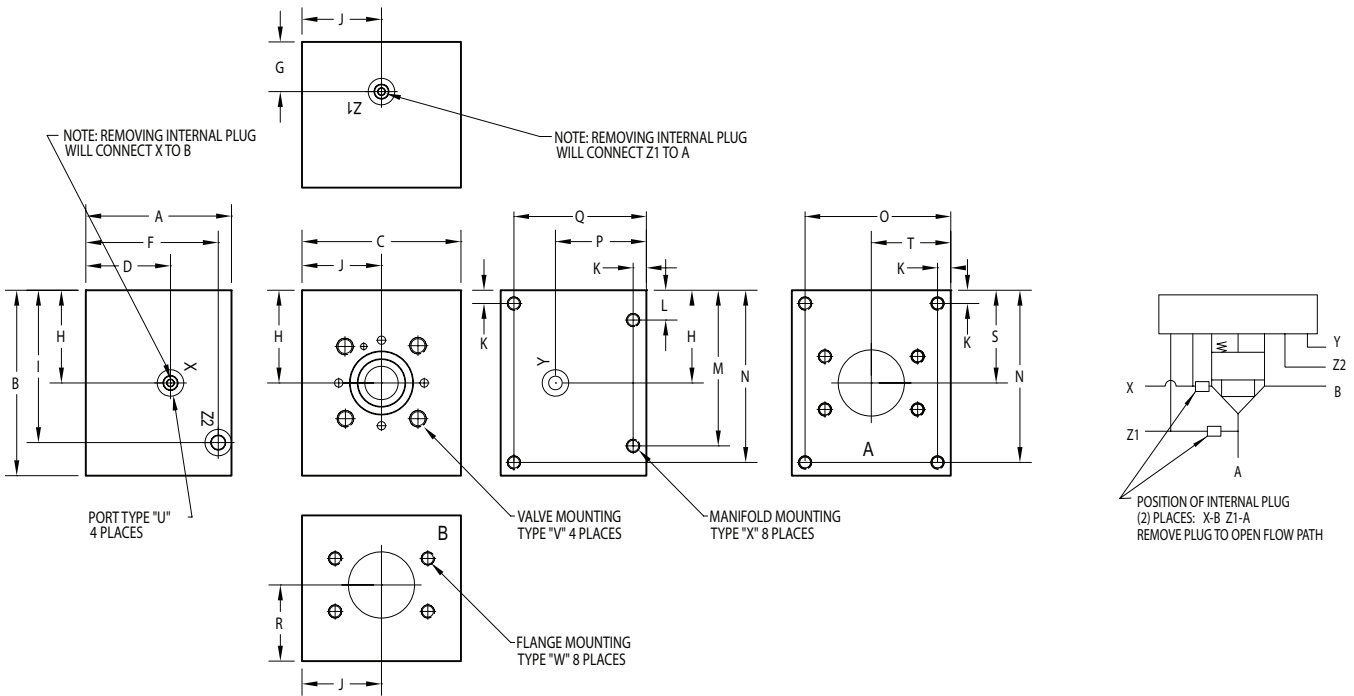


Specifications, descriptions, and dimensional data are subject to correction or change without notice or incurring obligation. Download latest catalog page revisions at www.daman.com.

PART NO.	A	B	C	D	E	F	G	H	I	J	K	L	M	N	O	P
*40XA32F61	6.00	7.00	6.00	1.25	3.50	5.50	1.28	3.25	6.00	3.00	0.50	1.13	5.88	6.50	5.50	3.46
*40XA32F61M	[152.4]	[177.8]	[152.4]	[31.8]	[88.9]	[139.7]	[32.5]	[82.6]	[152.4]	[76.2]	[12.7]	[28.6]	[149.2]	[165.1]	[139.7]	[87.9]
*40XB32F61	6.00	7.00	6.00	3.46	--	5.50	1.25	3.25	6.00	3.00	0.50	1.13	5.88	6.50	5.50	3.46
*40XB32F61M	[152.4]	[177.8]	[152.4]	[87.9]	--	[139.7]	[31.8]	[82.6]	[152.4]	[76.2]	[12.7]	[28.6]	[149.2]	[165.1]	[139.7]	[87.9]
D40XA32F62	6.00	7.00	6.00	1.25	3.50	5.50	1.16	3.13	5.88	3.00	0.50	1.13	5.88	6.50	5.50	3.46
D40XA32F62M	[152.4]	[177.8]	[152.4]	[31.8]	[88.9]	[139.7]	[29.4]	[79.8]	[149.2]	[76.2]	[12.7]	[28.6]	[149.2]	[165.1]	[139.7]	[87.9]
D40XB32F62	6.00	7.00	6.00	3.46	--	5.50	1.25	3.13	5.88	3.00	0.50	1.13	5.88	6.50	5.50	3.46
D40XB32F62M	[152.4]	[177.8]	[152.4]	[87.9]	--	[139.7]	[31.8]	[79.8]	[149.2]	[76.2]	[12.7]	[28.6]	[149.2]	[165.1]	[139.7]	[87.9]
*40XA48F61	6.00	7.50	6.00	1.25	3.50	5.50	1.78	3.75	6.50	3.00	0.50	1.13	6.38	7.00	5.50	3.46
*40XA48F61M	[152.4]	[190.5]	[152.4]	[31.8]	[88.9]	[139.7]	[45.2]	[95.3]	[165.1]	[76.2]	[12.7]	[28.6]	[161.9]	[177.8]	[139.7]	[87.9]
*40XB48F61	6.00	7.50	6.00	3.46	--	5.50	1.25	3.75	6.50	3.00	0.50	1.13	6.38	7.00	5.50	3.46
*40XB48F61M	[152.4]	[190.5]	[152.4]	[87.9]	--	[139.7]	[31.8]	[95.3]	[165.1]	[76.2]	[12.7]	[28.6]	[161.9]	[177.8]	[139.7]	[87.9]
D40XA48F62	7.50	9.50	9.00	2.75	5.00	7.00	2.78	4.75	7.50	4.50	0.75	1.63	7.88	8.75	8.25	4.96
D40XA48F62M	[190.5]	[241.3]	[228.6]	[69.9]	[127.0]	[177.8]	[70.6]	[120.7]	[190.5]	[114.3]	[19.1]	[41.3]	[200.0]	[222.3]	[209.6]	[126.0]
D40XB48F62	7.50	9.50	9.00	4.96	--	7.00	2.75	4.75	7.50	4.50	0.75	1.63	7.88	8.75	8.25	4.96
D40XB48F62M	[190.5]	[241.3]	[228.6]	[126.0]	--	[177.8]	[69.9]	[120.7]	[190.5]	[114.3]	[19.1]	[41.3]	[200.0]	[222.3]	[209.6]	[126.0]

PART NO.	Q	R	S	T	U pilot port size	V valve mounting	W flange mounting	X manifold mounting
*40XA32F61	5.50	3.46	3.25	3.00	SAE #6	0.75 UNC x 1.62 DP	0.50 UNC x 1.19 DP	0.50 UNC x 1.00 DP
*40XA32F61M	[139.7]	[87.9]	[82.6]	[76.2]	ISO 6149 M14	M20 ISO 6H x 41 DP	M12 ISO 6H x 30 DP	M12 ISO 6H x 25 DP
*40XB32F61	5.50	3.46	3.25	3.00	SAE #6	0.75 UNC x 1.62 DP	0.50 UNC x 1.19 DP	0.50 UNC x 1.00 DP
*40XB32F61M	[139.7]	[87.9]	[82.6]	[76.2]	ISO 6149 M14	M20 ISO 6H x 41 DP	M12 ISO 6H x 30 DP	M12 ISO 6H x 25 DP
D40XA32F62	5.50	3.46	3.13	3.00	SAE #6	0.75 UNC x 1.62 DP	0.75 UNC x 1.50 DP	0.50 UNC x 1.00 DP
D40XA32F62M	[139.7]	[87.9]	[79.4]	[76.2]	ISO 6149 M14	M20 ISO 6H x 41 DP	M20 ISO 6H x 38 DP	M12 ISO 6H x 25 DP
D40XB32F62	5.50	3.46	3.13	3.00	SAE #6	0.75 UNC x 1.62 DP	0.75 UNC x 1.50 DP	0.50 UNC x 1.00 DP
D40XB32F62M	[139.7]	[87.9]	[79.4]	[76.2]	ISO 6149 M14	M20 ISO 6H x 41 DP	M20 ISO 6H x 38 DP	M12 ISO 6H x 25 DP
*40XA48F61	5.50	3.00	3.75	3.00	SAE #6	0.75 UNC x 1.62 DP	0.63 UNC x 1.44 DP	0.50 UNC x 1.00 DP
*40XA48F61M	[139.7]	[76.2]	[95.3]	[76.2]	ISO 6149 M14	M20 ISO 6H x 41 DP	M16 ISO 6H x 36 DP	M12 ISO 6H x 25 DP
*40XB48F61	5.50	3.00	3.75	3.00	SAE #6	0.75 UNC x 1.62 DP	0.63 UNC x 1.44 DP	0.50 UNC x 1.00 DP
*40XB48F61M	[139.7]	[76.2]	[95.3]	[76.2]	ISO 6149 M14	M20 ISO 6H x 41 DP	M16 ISO 6H x 36 DP	M12 ISO 6H x 25 DP
D40XA48F62	6.75	3.75	4.75	4.50	SAE #6	0.75 UNC x 1.62 DP	1.13 UNC x 2.39 DP	0.75 UNC x 1.62 DP
D40XA48F62M	[171.5]	[95.3]	[120.7]	[114.3]	ISO 6149 M14	M20 ISO 6H x 41 DP	M30 ISO 6H x 63 DP	M20 ISO 6H x 41 DP
D40XB48F62	6.75	3.75	4.75	4.50	SAE #6	0.75 UNC x 1.62 DP	1.13 UNC x 2.39 DP	0.75 UNC x 1.62 DP
D40XB48F62M	[171.5]	[95.3]	[120.7]	[114.3]	ISO 6149 M14	M20 ISO 6H x 41 DP	M30 ISO 6H x 63 DP	M20 ISO 6H x 41 DP

40mm Body • XB Circuit



Specifications, descriptions, and dimensional data are subject to correction or change without notice or incurring obligation. Download latest catalog page revisions at www.daman.com.

Ordering Information

For coating options see pages 245-246.

Material	Valve Cavity	Pilot Circuit	A & B Port Size	Flange Rating	Thread Type
----------	--------------	---------------	-----------------	---------------	-------------

Material	
A	Aluminum - 6061-T6 3000† psi • 20.7 MPa
D	Ductile Iron - D4512 5000† psi • 34.5 MPa

† Working pressure should be considered in accordance with ISO 4413 to determine appropriate material type.

Pilot Circuit	
XA	X common to A Y common to B
XB	X common to B Z1 common to A

These connections are furnished plugged (external pilot ports). Remove plugs for internal pilot ports. See circuit diagram.

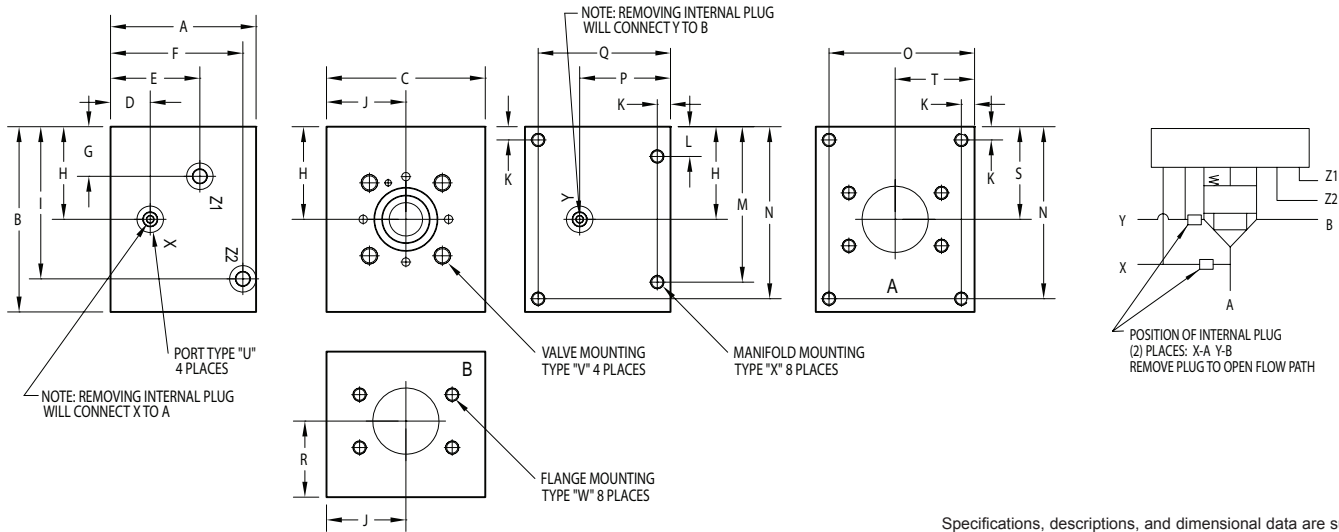
Flange Rating	
Aluminum or Ductile	
61	ISO 6162 - 2.5 to 35 MPa SAE code 61
Ductile only	
62	ISO 6162 - 40 MPa series SAE code 62

Valve Cavity	
40	DIN 24342 - 40mm ISO 7368-10-07 (Standard currently under revision) NFPA T3.5.45-BD-10-2-A

A & B Port Size	
32F	ISO 6162 - DN51 Split Flange SAE Size 32 (2.00") Flange
48F	ISO 6162 - DN76 Split Flange SAE Size 48 (3.00") Flange

Thread Type	
Omit	Inch threads / ports
M	Metric threads / ports

50mm Body • XA Circuit

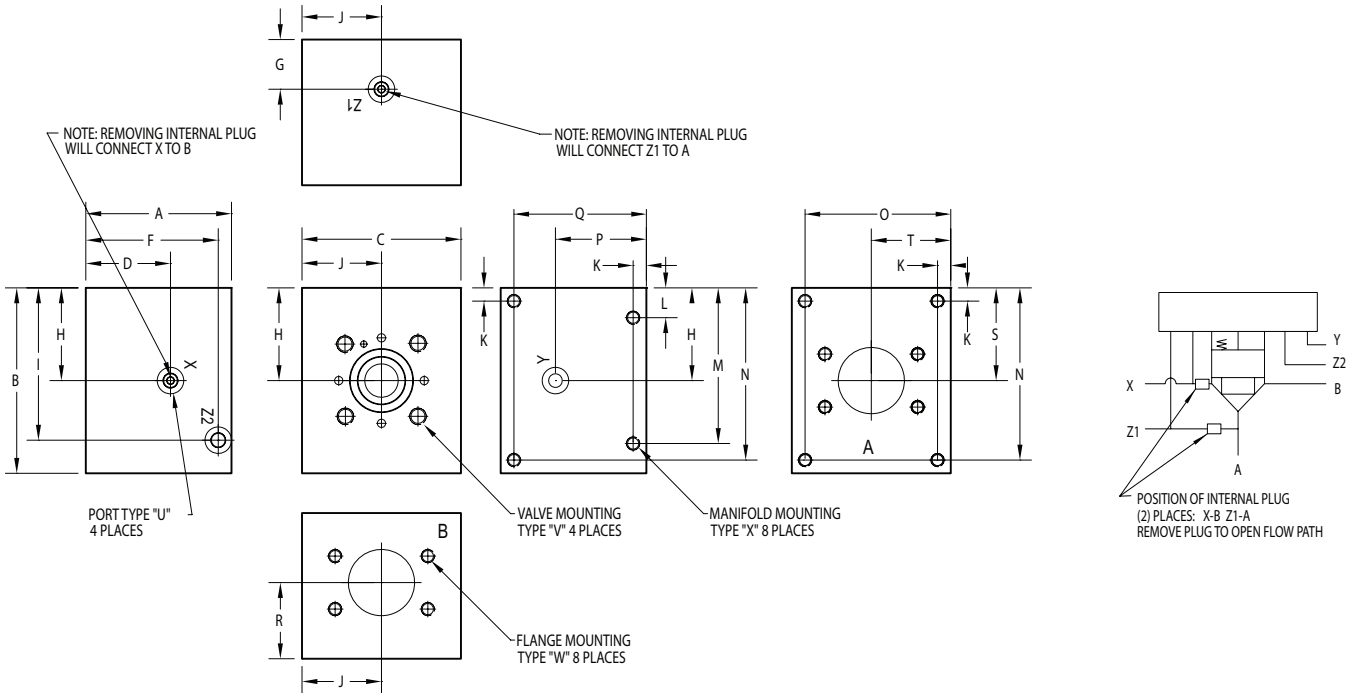


Specifications, descriptions, and dimensional data are subject to correction or change without notice or incurring obligation. Download latest catalog page revisions at www.daman.com.

PART NO.	A	B	C	D	E	F	G	H	I	J	K	L	M	N	O	P
50XA40F61	7.00 [177.8]	7.00 [177.8]	6.00 [152.4]	1.50 [38.1]	4.50 [114.3]	6.50 [165.1]	0.75 [19.1]	3.25 [82.6]	6.13 [155.6]	3.00 [76.2]	0.50 [12.7]	1.13 [28.6]	5.88 [149.2]	6.50 [165.1]	5.50 [139.7]	4.15 [105.3]
50XB40F61	7.00 [177.8]	7.00 [177.8]	6.00 [152.4]	4.15 [105.3]	--	6.50 [165.1]	1.50 [38.1]	3.25 [82.6]	6.13 [155.6]	3.00 [76.2]	0.50 [12.7]	1.13 [28.6]	5.88 [149.2]	6.50 [165.1]	5.50 [139.7]	4.15 [105.3]
D50XA40F62*	7.00 [177.8]	8.00 [203.2]	7.00 [177.8]	1.50 [38.1]	4.50 [114.3]	6.50 [165.1]	1.25 [31.8]	3.75 [95.3]	6.62 [168.3]	3.50 [88.9]	0.50 [12.7]	1.13 [28.6]	6.88 [174.6]	7.50 [190.5]	6.50 [165.1]	4.15 [105.3]
D50XB40F62*	7.00 [177.8]	8.00 [203.2]	7.00 [177.8]	4.15 [105.3]	--	6.50 [165.1]	1.50 [38.1]	3.75 [95.3]	6.62 [168.3]	3.50 [88.9]	0.50 [12.7]	1.13 [28.6]	6.88 [174.6]	7.50 [190.5]	6.50 [165.1]	4.15 [105.3]
50XA64F61	7.00 [177.8]	7.25 [184.2]	6.50 [165.1]	1.50 [38.1]	4.15 [105.4]	6.50 [165.1]	1.19 [30.2]	3.50 [88.9]	6.38 [161.9]	3.25 [82.6]	0.50 [12.7]	1.13 [28.6]	6.13 [155.6]	6.75 [171.5]	6.00 [152.4]	4.15 [105.3]
50XB64F61	7.00 [177.8]	7.25 [184.2]	6.50 [165.1]	4.15 [105.3]	--	6.50 [165.1]	1.50 [38.1]	3.50 [88.9]	6.38 [161.9]	3.25 [82.6]	0.50 [12.7]	1.13 [28.6]	6.13 [155.6]	6.75 [171.5]	6.00 [152.4]	4.15 [105.3]

PART NO.	Q	R	S	T	U pilot port size	V valve mounting	W flange mounting	X manifold mounting
*50XA40F61V	6.50 [165.1]	4.15 [105.3]	3.25 [82.6]	3.00 [76.2]	SAE #6	0.75 UNC x 1.62 DP	0.50 UNC x 1.19 DP	0.50 UNC x 1.00 DP
*50XA40F61R					SAE #6	0.88 UNC x 1.62 DP	0.50 UNC x 1.19 DP	0.50 UNC x 1.00 DP
*50XA40F61M					ISO 6149 M14	M20 ISO 6H x 41 DP	M12 ISO 6H x 30 DP	M12 ISO 6H x 25 DP
*50XB40F61V	6.50 [165.1]	4.15 [105.3]	3.25 [82.6]	3.00 [76.2]	SAE #6	0.75 UNC x 1.62 DP	0.50 UNC x 1.19 DP	0.50 UNC x 1.00 DP
*50XB40F61R					SAE #6	0.88 UNC x 1.62 DP	0.50 UNC x 1.19 DP	0.50 UNC x 1.00 DP
*50XB40F61M					ISO 6149 M14	M20 ISO 6H x 41 DP	M12 ISO 6H x 30 DP	M12 ISO 6H x 25 DP
D50XA40F62V	6.50 [165.1]	4.00 [101.6]	3.75 [95.3]	3.50 [88.9]	SAE #6	0.75 UNC x 1.62 DP	0.88 UNC x 1.75 DP	0.50 UNC x 1.00 DP
D50XA40F62R					SAE #6	0.88 UNC x 1.62 DP	0.88 UNC x 1.75 DP	0.50 UNC x 1.00 DP
D50XA40F62M					ISO 6149 M14	M20 ISO 6H x 41 DP	M24 ISO 6H x 45 DP	M12 ISO 6H x 25 DP
D50XB40F62V	6.50 [165.1]	4.00 [101.6]	3.75 [95.3]	3.50 [88.9]	SAE #6	0.75 UNC x 1.62 DP	0.88 UNC x 1.75 DP	0.50 UNC x 1.00 DP
D50XB40F62R					SAE #6	0.88 UNC x 1.62 DP	0.88 UNC x 1.75 DP	0.50 UNC x 1.00 DP
D50XB40F62M					ISO 6149 M14	M20 ISO 6H x 41 DP	M24 ISO 6H x 45 DP	M12 ISO 6H x 25 DP
*50XA64F61V	6.50 [165.1]	3.88 [98.4]	3.50 [88.9]	3.25 [82.6]	SAE #6	0.75 UNC x 1.62 DP	0.63 UNC x 1.44 DP	0.50 UNC x 1.19 DP
*50XA64F61R					SAE #6	0.88 UNC x 1.62 DP	0.63 UNC x 1.44 DP	0.50 UNC x 1.19 DP
*50XA64F61M					ISO 6149 M14	M20 ISO 6H x 41 DP	M16 ISO 6H x 36 DP	M12 ISO 6H x 30 DP
*50XB64F61V	6.50 [165.1]	3.88 [98.4]	3.50 [88.9]	3.25 [82.6]	SAE #6	0.75 UNC x 1.62 DP	0.63 UNC x 1.44 DP	0.50 UNC x 1.19 DP
*50XB64F61R					SAE #6	0.88 UNC x 1.62 DP	0.63 UNC x 1.44 DP	0.50 UNC x 1.19 DP
*50XB64F61M					ISO 6149 M14	M20 ISO 6H x 41 DP	M16 ISO 6H x 36 DP	M12 ISO 6H x 30 DP

50mm Body • XB Circuit



Specifications, descriptions, and dimensional data are subject to correction or change without notice or incurring obligation. Download latest catalog page revisions at www.daman.com.

Ordering Information

For coating options see pages 245-246.

Material	Valve Cavity	Pilot Circuit	A & B Port Size	Flange Rating	Thread Type
----------	--------------	---------------	-----------------	---------------	-------------

Material	
A	Aluminum - 6061-T6 3000 [†] psi • 20.7 MPa
D	Ductile Iron - D4512 5000 [†] psi • 34.5 MPa

[†] Working pressure should be considered in accordance with ISO 4413 to determine appropriate material type.

Pilot Circuit	
XA	X common to A Y common to B
XB	X common to B Z1 common to A

These connections are furnished plugged (external pilot ports). Remove plugs for internal pilot ports. See circuit diagram.

Flange Rating	
Aluminum or Ductile	
61	ISO 6162 - 2.5 to 35 MPa SAE code 61
Port size 40F, Ductile only	
62	ISO 6162 - 40 MPa series SAE code 62

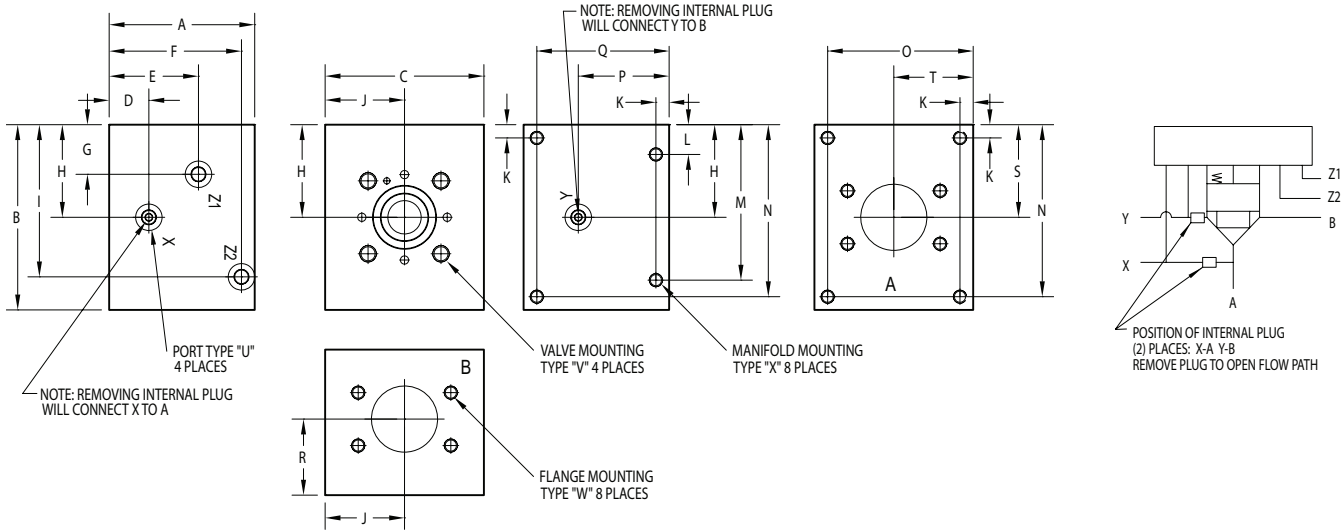
Valve Cavity	
50	DIN 24342 - 50mm ISO 7368-11-09 (Standard currently under revision) NFPA T3.5.45-BE-11-2-A

A & B Port Size	
40F	ISO 6162 - DN64 Split Flange SAE Size 40 (2.50") Flange
64F	ISO 6162 - DN102 Split Flange SAE Size 64 (4.00") Flange

Thread Type	
V	Inch threads / ports Valve mtg. = 0.75-10
R	Inch threads / ports Valve mtg. = 0.875-9
M	Metric threads / ports Valve mtg. = M20-2.5

Standard Manifolds
Cover Plates
Valve Adaptors
Subplates
Servo Valve Subplates
Tapping Plates
Cartridge Valve Cavity Bodies
Header and Junction Blocks
Sandwich Modules
Technical Information

63mm Body • XA Circuit

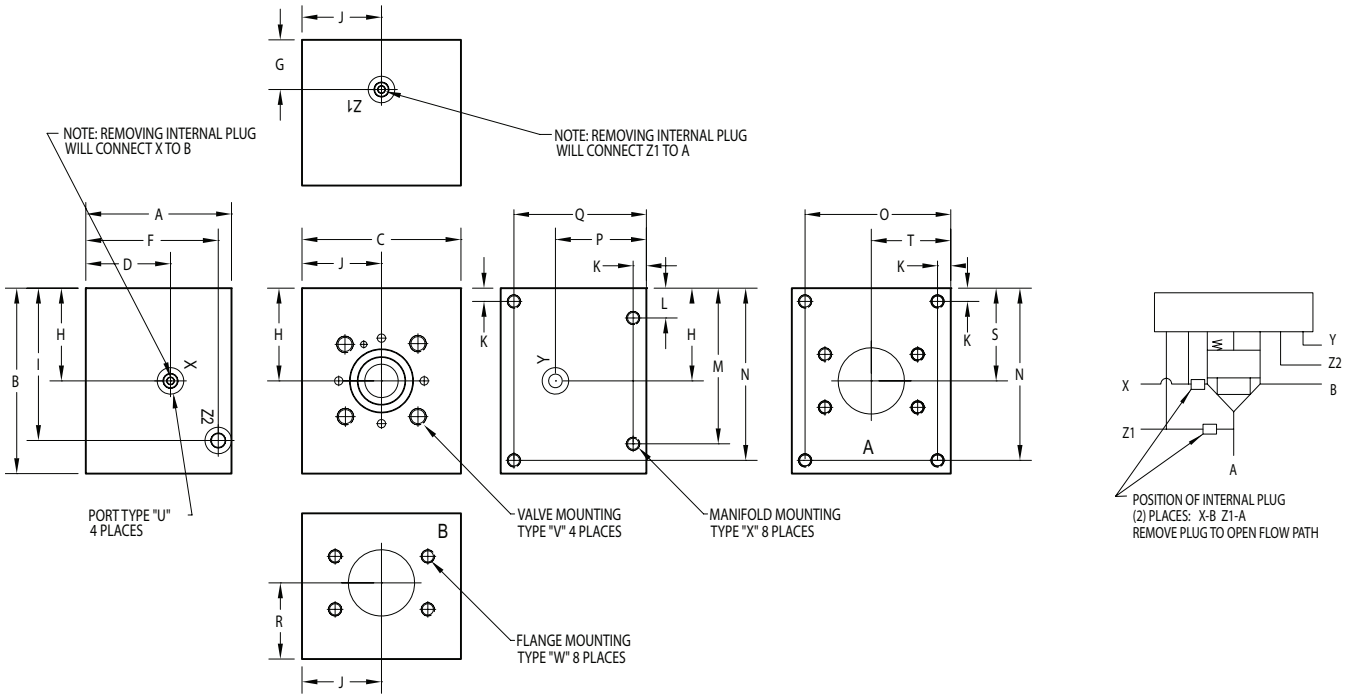


Specifications, descriptions, and dimensional data are subject to correction or change without notice or incurring obligation. Download latest catalog page revisions at www.daman.com.

PART NO.	A	B	C	D	E	F	G	H	I	J	K	L	M	N	O	P
*63XA48F61	8.00	9.00	8.00	1.00	4.24	7.25	1.29	4.25	8.00	4.00	0.63	1.38	7.63	8.38	7.38	4.24
*63XA48F61M	[203.2]	[228.6]	[203.2]	[25.4]	[107.7]	[184.2]	[32.8]	[108.0]	[203.2]	[101.6]	[15.9]	[34.9]	[193.7]	[212.7]	[187.3]	[107.7]
*63XB48F61	8.00	9.00	8.00	4.24	--	7.25	1.25	4.25	8.00	4.00	0.63	1.38	7.63	8.38	7.38	4.24
*63XB48F61M	[203.2]	[228.6]	[203.2]	[107.7]	--	[184.2]	[31.8]	[108.0]	[203.2]	[101.6]	[15.9]	[34.9]	[193.7]	[212.7]	[187.3]	[107.7]
D63XA48F62	9.00	10.50	9.00	2.25	5.00	8.25	1.77	4.75	8.50	4.50	0.63	1.38	9.13	9.88	8.38	5.24
D63XA48F62M	[228.6]	[266.7]	[228.6]	[57.2]	[127.0]	[209.6]	[45.0]	[120.7]	[215.9]	[114.3]	[15.9]	[34.9]	[231.8]	[250.8]	[212.7]	[133.1]
D63XB48F62	9.00	10.50	9.00	5.24	--	8.25	2.25	4.75	8.50	4.50	0.63	1.38	9.13	9.88	8.38	5.24
D63XB48F62M	[228.6]	[266.7]	[228.6]	[133.1]	--	[209.6]	[57.2]	[120.7]	[215.9]	[114.3]	[15.9]	[34.9]	[231.8]	[250.8]	[212.7]	[133.1]
*63XA80F61	8.00	9.00	8.00	1.38	4.24	7.25	1.29	4.25	8.00	4.00	0.63	1.50	7.50	8.38	7.38	4.24
*63XA80F61M	[203.2]	[228.6]	[203.2]	[34.9]	[107.7]	[184.2]	[32.8]	[108.0]	[203.2]	[101.6]	[15.9]	[38.1]	[190.5]	[212.7]	[187.3]	[107.7]
*63XB80F61	8.00	9.00	8.00	4.24	--	7.25	1.38	4.25	8.00	4.00	0.63	1.50	7.50	8.38	7.38	4.24
*63XB80F61M	[203.2]	[228.6]	[203.2]	[107.7]	--	[184.2]	[34.9]	[108.0]	[203.2]	[101.6]	[15.9]	[38.1]	[190.5]	[212.7]	[187.3]	[107.7]

PART NO.	Q	R	S	T	U pilot port size	V valve mounting	W flange mounting	X manifold mounting
*63XA48F61	7.38	4.24	4.25	4.00	SAE #08	1.25 UNC x 2.75 DP	0.63 UNC x 1.31 DP	0.63 UNC x 1.25 DP
*63XA48F61M	[187.3]	[107.7]	[108.0]	[101.6]	ISO 6149 M18	M30 ISO 6H x 70 DP	M16 ISO 6H x 33 DP	M16 ISO 6H x 32 DP
*63XB48F61	7.38	4.24	4.25	4.00	SAE #08	1.25 UNC x 2.75 DP	0.63 UNC x 1.31 DP	0.63 UNC x 1.25 DP
*63XB48F61M	[187.3]	[107.7]	[108.0]	[101.6]	ISO 6149 M18	M30 ISO 6H x 70 DP	M16 ISO 6H x 33 DP	M16 ISO 6H x 32 DP
D63XA48F62	8.38	5.24	4.75	4.50	SAE #08	1.25 UNC x 2.75 DP	1.13 UNC x 2.25 DP	0.63 UNC x 1.25 DP
D63XA48F62M	[212.7]	[133.1]	[120.7]	[114.3]	ISO 6149 M18	M30 ISO 6H x 70 DP	M30 ISO 6H x 57 DP	M16 ISO 6H x 32 DP
D63XB48F62	8.38	5.24	4.75	4.50	SAE #08	1.25 UNC x 2.75 DP	1.13 UNC x 2.25 DP	0.63 UNC x 1.25 DP
D63XB48F62M	[212.7]	[133.1]	[120.7]	[114.3]	ISO 6149 M18	M30 ISO 6H x 70 DP	M30 ISO 6H x 57 DP	M16 ISO 6H x 32 DP
*63XA80F61	7.38	4.24	4.25	4.00	SAE #08	1.25 UNC x 2.75 DP	0.63 UNC x 1.44 DP	0.63 UNC x 1.44 DP
*63XA80F61M	[187.3]	[107.7]	[108.0]	[101.6]	ISO 6149 M18	M30 ISO 6H x 70 DP	M16 ISO 6H x 36 DP	M16 ISO 6H x 36 DP
*63XB80F61	7.38	4.24	4.25	4.00	SAE #08	1.25 UNC x 2.75 DP	0.63 UNC x 1.44 DP	0.63 UNC x 1.44 DP
*63XB80F61M	[187.3]	[107.7]	[108.0]	[101.6]	ISO 6149 M18	M30 ISO 6H x 70 DP	M16 ISO 6H x 36 DP	M16 ISO 6H x 36 DP

63mm Body • XB Circuit



Specifications, descriptions, and dimensional data are subject to correction or change without notice or incurring obligation. Download latest catalog page revisions at www.daman.com.

Ordering Information

For coating options see pages 245-246.

Material	Valve Cavity	Pilot Circuit	A & B Port Size	Flange Rating	Thread Type
----------	--------------	---------------	-----------------	---------------	-------------

Material	
A	Aluminum - 6061-T6 3000 [†] psi • 20.7 MPa
D	Ductile Iron - D4512 5000 [†] psi • 34.5 MPa

[†] Working pressure should be considered in accordance with ISO 4413 to determine appropriate material type.

Pilot Circuit	
XA	X common to A Y common to B
XB	X common to B Z1 common to A

These connections are furnished plugged (external pilot ports). Remove plugs for internal pilot ports. See circuit diagram.

Flange Rating	
Aluminum or Ductile	
61	ISO 6162 - 2.5 to 35 MPa SAE code 61
Port size 48F, Ductile only	
62	ISO 6162 - 40 MPa series SAE code 62

Valve Cavity	
63	DIN 24342 - 63mm ISO 7368-12-11 (Standard currently under revision) NFPA T3.5.45-BF-12-2-A

A & B Port Size	
48F	ISO 6162 - DN76 Split Flange SAE Size 48 (3.00") Flange
80F	ISO 6162 - DN127 Split Flange SAE Size 80 (5.00") Flange

Thread Type	
Omit	Inch threads / ports
M	Metric threads / ports

Standard Manifolds
Cover Plates
Valve Adaptors
Subplates
Servo Valve Subplates
Tapping Plates
Cartridge Valve Cavity Bodies
Header and Junction Blocks
Sandwich Modules
Technical Information

Sun and Common Cavity Bodies

The following pages represent our product offering for cavity bodies for screw-in cartridge valves.

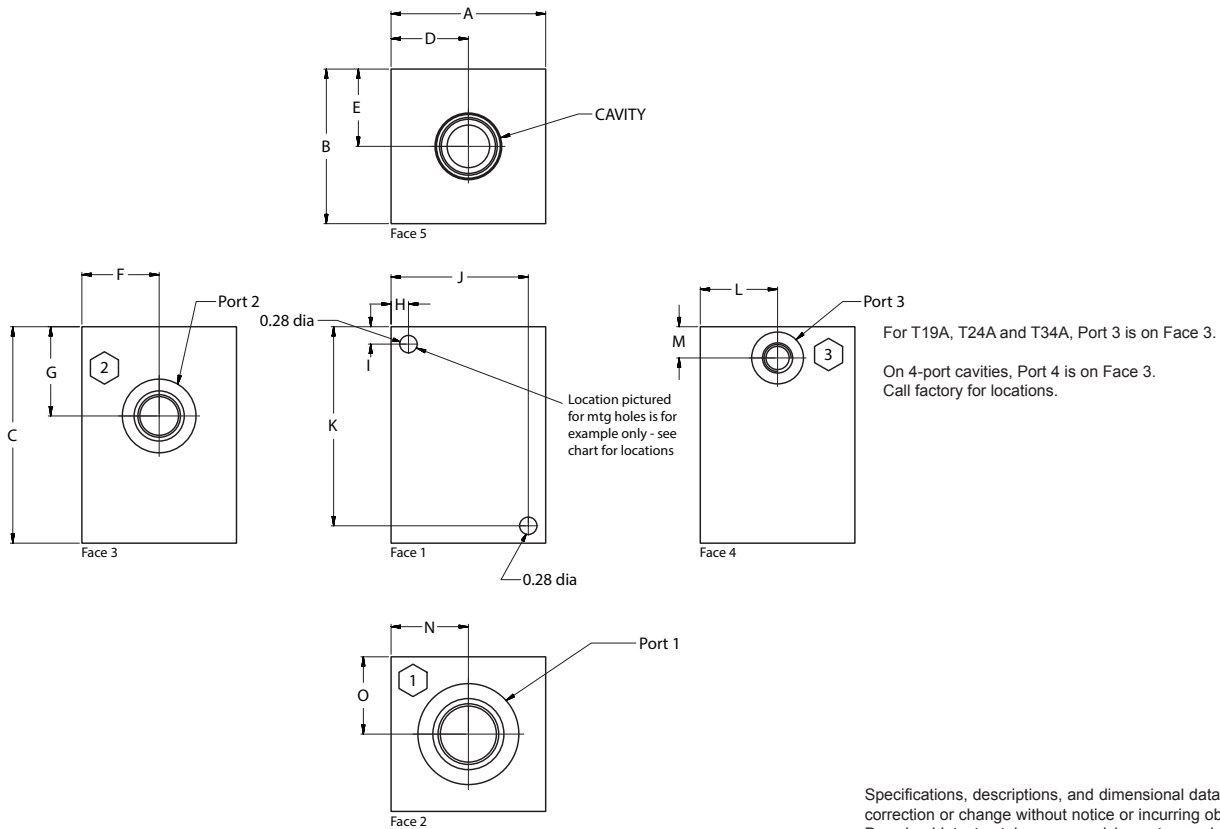
Our comprehensive, new Aluminum and Ductile cavity body line is comprised of 34 different cavity sizes which include six common cavity sizes from C-8-2 through C-16-3 along with 28 of the most popular sizes from Sun, each having the following five port types available:

- SAE
- NPTF
- BSPP
- BSPT
- ISO 6149

- Three to five different port size options will be offered for each port type.
- Our entire line can be manufactured in aluminum or ductile iron, with or without gauge ports, with or without surface coatings — clear or black anodize for aluminum and electroless nickel for ductile.
- Each part will have two through mounting holes and ship with two bolts.
- For convenience, our new cavity bodies can face left or right while still being able to read the part number when mounted.
- The Sun stainless bodies are made from 17-4 H1150 stainless providing corrosion resistance similar to 304 stainless, along with very high tensile strength allowing a 5000 psi pressure rating.
- We also sell Sun valves. See p. 227 for our stocked selection, or call for other part numbers.
- Dimensioning charts are at the end of each section.

Return to this section regularly as we expand our cavity body offerings.

Sun Cavity Bodies - 17-4 H1150 Stainless Steel



Specifications, descriptions, and dimensional data are subject to correction or change without notice or incurring obligation. Download latest catalog page revisions at www.daman.com.

Ordering Information

Material	Sun Cavity Size	Product Type	Port Size	Port Threads
----------	-----------------	--------------	-----------	--------------

Daman can sell Sun valves. See page 227 for stocked valves, or consult factory for price and delivery of valves not shown.

Material	
S*	Stainless Steel - 17-4 5000† psi • 34.5 MPa
† Working pressure should be considered in accordance with ISO 4413 to determine appropriate material type.	

*Mounting hardware not supplied for stainless steel products. All SS products are passivated.

Sun Cavity Size		
T2A	T16A	T23A
T3A	T17A	T24A
T5A	T18A	T32A
T10A	T19A	T34A
T11A	T21A	T162A
T13A	T22A	T163A

Size of Port 1	
6	3/8 inch (-6) Hose/Fitting size
8	1/2 inch (-8) Hose/Fitting size
10	5/8 inch (-10) Hose/Fitting size
12	3/4 inch (-12) Hose/Fitting size
16	1 inch (-16) Hose/Fitting size
20	1-1/4 inch (-20) Hose/Fitting size

Port Threads	
P	NPTF ANSI B1.20.3
S	SAE ISO 11926; SAE 1926

Note: Pipe ports in stainless can gall.

Product Type	
CB	Cavity Bodies

Consult chart for port size availability with each cavity size, and for additional port sizes.



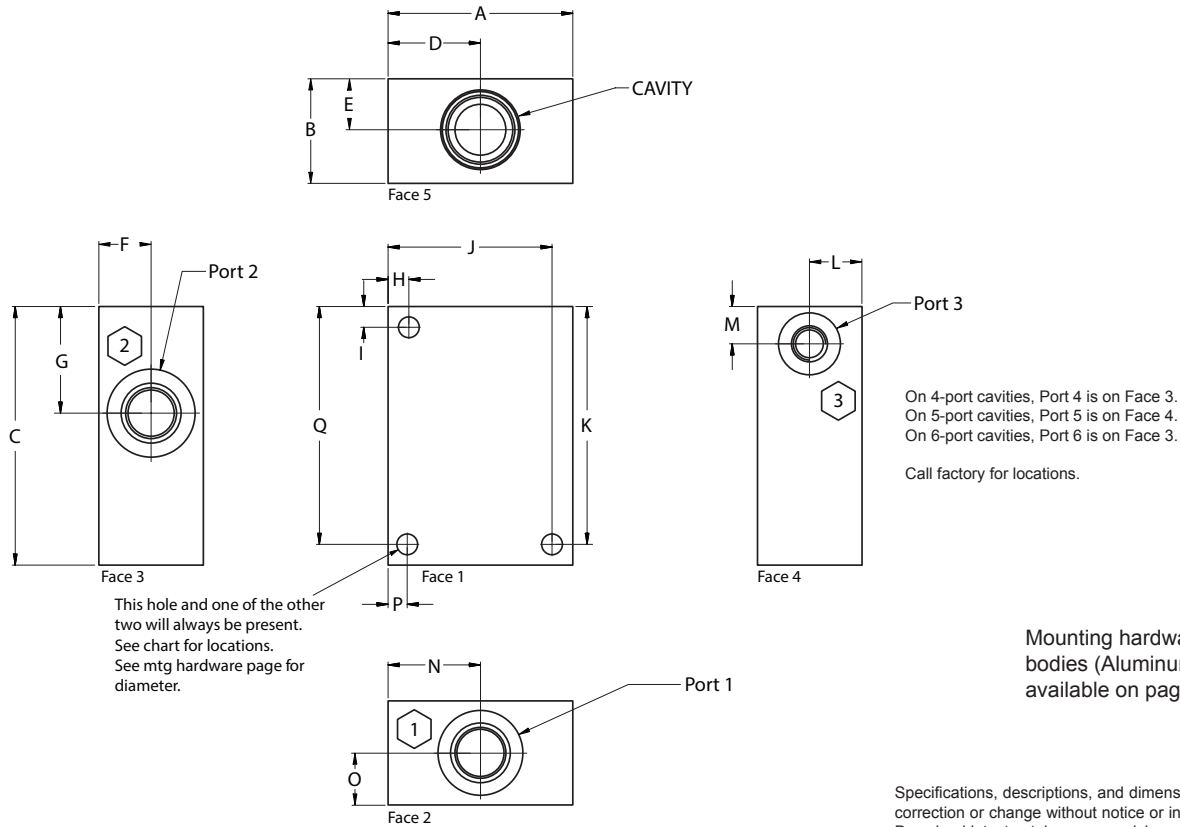
Sun Cavity Bodies - 17-4 H1150 Stainless Steel

Part Number	A	B	C	D	E	F	G	H	I	J	K	L	M	N	O	Port 1	Port 2	Port 3	Port 4
ST2ACB6P	2.50	2.50	3.50	1.31	1.25	1.25	1.44	0.28	0.28	2.22	3.22	1.25	0.51	1.31	1.25	3/8	3/8	1/8	-
ST2ACB8S	2.50	2.50	3.50	1.31	1.25	1.25	1.44	0.28	0.28	2.22	3.22	1.25	0.51	1.31	1.25	-08	-08	-04	-
ST3ACB12P	3.00	3.00	3.50	1.56	1.50	1.50	1.01	2.72	0.28	0.28	3.22	-	-	1.56	1.50	3/4	3/4	-	-
ST3ACB16S	3.00	3.00	3.50	1.56	1.50	1.50	1.01	2.72	0.28	0.28	3.22	-	-	1.56	1.50	-16	-16	-	-
ST5ACB12P	3.00	3.00	3.00	1.56	1.50	1.50	0.88	2.72	0.28	0.28	2.72	-	-	1.56	1.50	3/4	3/4	-	-
ST5ACB12S	3.00	3.00	3.00	1.56	1.50	1.50	0.88	2.72	0.28	0.28	2.72	-	-	1.56	1.50	-12	-12	-	-
ST10ACB12P	2.50	2.50	3.00	1.44	1.25	1.25	0.85	0.28	0.28	2.22	2.72	-	-	1.44	1.25	3/4	3/4	-	-
ST10ACB12S	2.50	2.50	3.00	1.44	1.25	1.25	0.85	2.22	0.28	0.28	2.72	-	-	1.44	1.25	-12	-12	-	-
ST11ACB6P	2.50	2.50	3.25	1.34	1.25	1.25	1.41	0.28	0.28	2.22	2.97	1.25	0.49	1.34	1.25	3/8	3/8	1/4	-
ST11ACB10S	2.50	2.50	3.25	1.34	1.25	1.25	1.41	0.28	0.28	2.22	2.97	1.25	0.49	1.34	1.25	-10	-10	-6	-
ST13ACB6P	2.50	2.50	2.50	1.25	1.25	1.25	0.76	2.22	0.28	0.28	2.22	-	-	1.25	1.25	3/8	3/8	-	-
ST13ACB8S	2.50	2.50	2.50	1.25	1.25	1.25	0.76	2.22	0.28	0.28	2.22	-	-	1.25	1.25	-08	-08	-	-
ST16ACB16P	3.50	3.50	4.00	1.75	1.75	1.75	1.35	3.22	0.28	0.28	3.72	-	-	1.75	1.75	1	1	-	-
ST16ACB16S	3.50	3.50	4.00	1.75	1.75	1.75	1.35	3.22	0.28	0.28	3.72	-	-	1.75	1.75	-16	-16	-	-
ST17ACB12P	3.50	3.50	4.25	1.88	1.75	1.75	1.91	0.28	0.28	3.22	3.97	1.75	0.60	1.88	1.75	3/4	3/4	3/8	-
ST17ACB16S	3.50	3.50	4.25	1.88	1.75	1.75	1.91	0.28	0.28	3.22	3.97	1.75	0.60	1.88	1.75	-16	-16	-08	-
ST18ACB20P	3.50	3.50	4.75	2.00	1.75	1.75	1.72	0.28	0.28	3.22	4.47	-	-	2.00	1.75	1 1/4	1 1/4	-	-
ST18ACB20S	3.50	3.50	4.75	2.00	1.75	1.75	1.72	0.28	0.28	3.22	4.47	-	-	2.00	1.75	-20	-20	-	-
ST19ACB16P	3.50	3.50	5.25	1.97	1.75	1.75	2.54	0.28	1.44	3.22	4.97	1.75	0.72	1.97	1.75	1	1	3/8	-
ST19ACB16S	3.50	3.50	5.25	1.97	1.75	1.75	2.54	0.28	1.44	3.22	4.97	1.75	0.72	1.97	1.75	-16	-16	-08	-
ST21ACB6P	2.50	2.50	3.63	1.25	1.25	1.25	1.91	2.22	0.28	0.28	3.34	1.25	1.01	1.25	1.25	3/8	3/8	1/4	1/8
ST21ACB8S	2.50	2.50	3.63	1.25	1.25	1.25	1.91	2.22	0.28	0.28	3.34	1.25	1.01	1.25	1.25	-08	-08	-04	-04
ST22ACB12P	3.00	3.00	4.13	1.63	1.50	1.5	2.04	2.72	0.28	0.28	3.84	1.50	1.10	1.63	1.50	3/4	3/4	1/4	1/4
ST22ACB12S	3.00	3.00	4.13	1.63	1.50	1.5	2.04	2.72	0.28	0.28	3.84	1.50	1.10	1.63	1.50	-12	-12	-04	-04
ST23ACB12P	3.50	3.50	5.00	1.84	1.75	1.75	2.63	3.22	0.28	0.28	4.72	1.75	1.35	1.84	1.75	3/4	3/4	3/8	3/8
ST23ACB16S	3.50	3.50	5.00	1.84	1.75	1.75	2.63	3.22	0.28	0.28	4.72	1.75	1.35	1.84	1.75	-12	-12	-08	-06
ST24ACB16P	3.50	3.50	6.00	1.97	1.75	1.75	3.38	0.28	2.38	3.22	5.72	2.78	1.60	1.97	1.75	1	1	1/2	3/8
ST24ACB16S	3.50	3.50	6.00	1.97	1.75	1.75	3.38	0.28	2.38	3.22	5.72	2.78	1.60	1.97	1.75	-16	-16	-08	-06
ST32ACB12P	3.00	3.00	5.50	1.56	1.50	1.50	2.97	2.72	0.28	0.28	5.22	1.50	2.02	1.56	1.5	3/4	1/2	3/8	3/4
ST32ACB12S	3.00	3.00	5.50	1.56	1.50	1.50	2.97	2.72	0.28	0.28	5.22	1.50	2.02	1.56	1.5	-12	-08	-08	-12
ST34ACB16P	3.50	3.50	8.00	2.06	1.75	0.89	4.54	0.28	0.28	3.22	7.72	2.63	3.04	2.06	1.75	1	3/4	3/4	1
ST34ACB16S	3.50	3.50	8.00	2.06	1.75	0.89	4.54	0.28	0.28	3.22	7.72	2.63	3.04	2.06	1.75	-16	-12	-12	-16
ST162ACB6P	1.75	1.75	2.25	1.16	0.88	0.88	0.68	0.28	1.97	-	-	-	-	1.13	0.88	3/8	3/8	-	-
ST162ACB8S	1.75	1.75	2.25	1.16	0.88	0.88	0.68	0.28	1.97	-	-	-	-	1.13	0.88	-08	-08	-	-
ST163ACB6P	2.50	2.50	3.00	1.25	1.25	1.25	1.26	0.28	0.28	2.22	2.72	1.25	0.43	1.25	1.25	3/8	3/8	1/4	-
ST163ACB8S	2.50	2.50	3.00	1.25	1.25	1.25	1.26	0.28	0.28	2.22	2.72	1.25	0.43	1.25	1.25	-08	-08	-04	-

Specifications, descriptions, and dimensional data are subject to correction or change without notice or incurring obligation. Download latest catalog page revisions at www.daman.com.

Standard Manifolds
 Cover Plates
 Valve Adaptors
 Subplates
 Servo Valve Subplates
 Tapping Plates
 Cartridge Valve Cavity Bodies
 Header and Junction Blocks
 Sandwich Modules
 Technical Information

Sun Cavity Bodies - Aluminum & Ductile Iron



Ordering Information

Daman can sell Sun valves. See page 227 for stocked valves, or consult factory for price and delivery of valves not shown.

For **coating options** see pages 245-246.

For Sun cavity bodies with gauge port options, see pp. 197.8 -197.10.

Material	Sun Cavity Size	Product Type	Port Size	Port Threads
----------	-----------------	--------------	-----------	--------------

Material	
A	Aluminum - 6061-T6 3000† psi • 20.7 MPa
D	Ductile Iron - D4512 5000† psi • 34.5 MPa
† Working pressure should be considered in accordance with ISO 4413 to determine appropriate material type.	

Sun Cavity Size					
T2A	T11A	T21A	T33A	T63A	
T3A	T13A	T22A	T52A	T64A	
T5A	T16A	T23A	T53A	T162A	
T8A	T17A	T24A	T54A	T163A	
T9A	T18A	T31A	T61A	---	
T10A	T19A	T32A	T62A	---	

Size of Port 1 & 2	
4	1/4 inch (-4) Hose/Fitting size (M) port threads = M10 x 1.0
6	3/8 inch (-6) Hose/Fitting size (M) port threads = M14 x 1.5
8	1/2 inch (-8) Hose/Fitting size (M) port threads = M18 x 1.5
12	3/4 inch (-12) Hose/Fitting size (M) port threads = M27 x 2.0
16	1 inch (-16) Hose/Fitting size (M) port threads = M33 x 2.0
20	1-1/4 inch (-20) Hose/Fitting size (M) port threads = M42 x 2.0

Port Threads	
P	NPTF ANSI B1.20.3
S	SAE ISO 11926; SAE 1926
B	BSPP ISO 1179
M	ISO ISO 6149
T	BSPT ISO 7

Product Type	
CB	Cavity Bodies

Consult chart for port size availability with each cavity size, and for additional port sizes.



Sun Cavity Bodies - Aluminum & Ductile Iron

Part Number	A	B	C	D	E	F	G	H	I	J	K	L	M	N	O	P	Q	Port 1	Port 2	Port 3	Port 4	Port 5	Port 6
T2ACB4	3.00	1.50	3.25	1.63	0.75	0.75	1.44	-	-	2.72	2.97	0.75	0.51	1.63	0.75	0.28	2.97	1/4	1/4	1/4	-	-	-
T2ACB6	3.00	1.50	3.25	1.63	0.75	0.75	1.44	-	-	2.72	2.97	0.75	0.51	1.63	0.75	0.28	2.97	3/8	3/8	3/8	-	-	-
T2ACB8	3.00	1.50	3.25	1.63	0.75	0.75	1.44	-	-	2.72	2.97	0.75	0.51	1.63	0.75	0.28	2.97	1/2	1/2	3/8	-	-	-
T2ACB12	3.00	2.00	3.25	1.63	1.00	1.00	1.44	-	-	2.72	2.97	1.00	0.51	1.63	1.00	0.28	2.97	3/4	3/4	3/8	-	-	-
T3ACB4	2.00	1.50	3.00	1.16	0.75	0.75	1.09	0.22	0.22	-	-	-	-	1.16	0.75	0.22	2.78	1/4	1/4	-	-	-	-
T3ACB6	2.00	1.50	3.00	1.16	0.75	0.75	1.09	0.22	0.22	-	-	-	-	1.16	0.75	0.22	2.78	3/8	3/8	-	-	-	-
T3ACB8	2.00	1.50	3.00	1.16	0.75	0.75	1.09	0.22	0.22	-	-	-	-	1.16	0.75	0.22	2.78	1/2	1/2	-	-	-	-
T3ACB12	2.25	1.75	3.00	1.41	0.88	0.88	1.07	0.22	0.22	-	-	-	-	1.41	0.88	0.22	2.78	3/4	3/4	-	-	-	-
T5ACB4	2.25	1.50	3.00	1.25	0.75	0.75	0.88	-	-	2.03	2.78	-	-	1.25	0.75	0.22	2.78	1/4	1/4	-	-	-	-
T5ACB6	2.25	1.50	3.00	1.25	0.75	0.75	0.88	-	-	2.03	2.78	-	-	1.25	0.75	0.22	2.78	3/8	3/8	-	-	-	-
T5ACB8	2.25	1.50	3.00	1.25	0.75	0.75	0.88	-	-	2.03	2.78	-	-	1.25	0.75	0.22	2.78	1/2	1/2	-	-	-	-
T5ACB12	2.50	1.75	3.00	1.56	0.88	0.88	0.88	-	-	2.28	2.78	-	-	1.47	0.88	0.22	2.78	3/4	3/4	-	-	-	-
T8ACB4	2.00	1.50	1.75	1.16	0.75	0.75	0.52	-	-	1.78	1.53	-	-	1.16	0.75	0.22	1.53	1/4	1/4	-	-	-	-
T8ACB6	2.00	1.50	1.75	1.16	0.75	0.75	0.52	-	-	1.78	1.53	-	-	1.16	0.75	0.22	1.53	3/8	3/8	-	-	-	-
T9ACB4	2.50	1.50	2.00	1.25	0.75	0.75	0.90	-	-	2.28	1.78	0.75	0.53	1.25	0.75	0.22	1.78	1/4	1/4	1/4	-	-	-
T9ACB6	2.50	1.50	2.00	1.25	0.75	0.75	0.90	-	-	2.28	1.78	0.75	0.53	1.25	0.75	0.22	1.78	3/8	3/8	1/4	-	-	-
T10ACB4	1.63	1.25	2.50	0.94	0.63	0.63	0.96	0.22	0.22	-	-	-	-	0.94	0.63	0.22	2.28	1/4	1/4	-	-	-	-
T10ACB6	1.63	1.25	2.50	0.94	0.63	0.63	0.96	0.22	0.22	-	-	-	-	0.94	0.63	0.22	2.28	3/8	3/8	-	-	-	-
T10ACB8	2.25	1.75	3.00	1.44	0.88	0.88	0.85	-	-	2.03	2.00	-	-	1.25	0.88	0.22	2.00	1/2	1/2	-	-	-	-
T10ACB12	2.25	1.75	3.00	1.44	0.88	0.88	0.85	-	-	2.03	2.00	-	-	1.25	0.88	0.22	2.00	3/4	3/4	-	-	-	-
T11ACB4	2.50	1.25	3.00	1.25	0.63	0.63	1.41	-	-	2.28	2.78	0.63	0.47	1.25	0.63	0.22	2.78	1/4	1/4	1/4	-	-	-
T11ACB6	2.50	1.25	3.00	1.25	0.63	0.63	1.41	-	-	2.28	2.78	0.63	0.47	1.25	0.63	0.22	2.78	3/8	3/8	3/8	-	-	-
T11ACB8	2.50	1.25	3.00	1.25	0.63	0.63	1.41	-	-	2.28	2.78	0.63	0.47	1.25	0.63	0.22	2.78	1/2	1/2	3/8	-	-	-
T13ACB4	1.75	1.25	2.25	0.94	0.63	0.63	0.78	-	-	1.53	2.03	-	-	0.94	0.63	0.22	2.03	1/4	1/4	-	-	-	-
T13ACB6	1.75	1.25	2.25	0.94	0.63	0.63	0.78	-	-	1.53	2.03	-	-	0.94	0.63	0.22	2.03	3/8	3/8	-	-	-	-
T13ACB8	2.50	1.75	3.00	1.63	0.88	0.88	0.85	-	-	2.28	2.78	-	-	1.44	0.88	0.22	2.78	1/2	1/2	-	-	-	-
T13ACB12	2.50	1.75	3.00	1.63	0.88	0.88	0.85	-	-	2.28	2.78	-	-	1.44	0.88	0.22	2.78	3/4	3/4	-	-	-	-
T16ACB12	3.00	2.50	4.00	1.94	1.25	1.25	1.44	0.28	0.28	-	-	-	-	1.75	1.25	0.28	3.72	3/4	3/4	-	-	-	-
T16ACB16	3.00	2.50	4.00	1.94	1.25	1.25	1.44	0.28	0.28	-	-	-	-	1.75	1.25	0.28	3.72	1	1	-	-	-	-
T16ACB20	3.00	2.50	4.00	1.94	1.25	1.25	1.44	0.28	0.28	-	-	-	-	1.75	1.25	0.28	3.72	1 1/4	1 1/4	-	-	-	-
T17ACB12	4.00	2.50	4.25	2.00	1.25	1.25	1.91	-	-	3.72	3.97	1.25	0.60	2.00	1.25	0.28	3.97	3/4	3/4	1/2	-	-	-
T17ACB16	4.00	2.50	4.25	2.00	1.25	1.25	1.91	-	-	3.72	3.97	1.25	0.60	2.00	1.25	0.28	3.97	1	1	1/2	-	-	-
T17ACB20	4.00	2.50	4.25	2.00	1.25	1.25	1.91	-	-	3.72	3.97	1.25	0.60	2.00	1.25	0.28	3.97	1 1/4	1 1/4	1/2	-	-	-
T18ACB12	3.50	2.75	4.50	2.06	1.38	1.38	1.73	0.34	0.34	-	-	-	-	2.06	1.38	0.34	4.16	3/4	3/4	-	-	-	-
T18ACB16	3.50	2.75	4.50	2.06	1.38	1.38	1.73	0.34	0.34	-	-	-	-	2.06	1.38	0.34	4.16	1	1	-	-	-	-
T18ACB20	3.50	2.75	4.50	2.06	1.38	1.38	1.73	0.34	0.34	-	-	-	-	2.06	1.38	0.34	4.16	1 1/4	1 1/4	-	-	-	-
T19ACB12	4.38	3.00	5.00	2.22	1.50	1.50	2.54	-	-	4.03	4.66	1.50	0.75	2.22	1.50	0.34	4.66	3/4	3/4	3/4	-	-	-
T19ACB16	4.38	3.00	5.00	2.22	1.50	1.50	2.54	-	-	4.03	4.66	1.50	0.75	2.22	1.50	0.34	4.66	1	1	3/4	-	-	-
T19ACB20	4.38	3.00	5.00	2.22	1.50	1.50	2.54	-	-	4.03	4.66	1.50	0.75	2.22	1.50	0.34	4.66	1 1/4	1 1/4	3/4	-	-	-
T21ACB4	2.50	1.25	3.56	1.25	0.63	0.63	1.98	-	-	2.28	3.34	0.63	1.07	1.25	0.63	0.22	3.34	1/4	1/4	1/4	1/4	-	-
T21ACB6	2.50	1.25	3.56	1.25	0.63	0.63	1.98	-	-	2.28	3.34	0.63	1.07	1.25	0.63	0.22	3.34	3/8	3/8	3/8	1/4	-	-
T21ACB8	2.50	1.25	3.56	1.25	0.63	0.63	1.98	-	-	2.28	3.34	0.63	1.07	1.25	0.63	0.22	3.34	1/2	1/2	3/8	1/4	-	-
T22ACB6	3.50	2.00	3.75	1.75	1.00	1.00	2.04	-	-	3.22	3.47	1.00	1.10	1.75	1.00	0.28	3.47	3/8	3/8	3/8	3/8	-	-
T22ACB8	3.50	2.00	3.75	1.75	1.00	1.00	2.04	-	-	3.22	3.47	1.00	1.10	1.75	1.00	0.28	3.47	1/2	1/2	3/8	3/8	-	-
T22ACB12	3.50	2.00	4.00	1.75	1.00	1.00	2.04	-	-	3.22	3.72	1.00	1.10	1.75	1.00	0.28	3.72	3/4	3/4	3/8	3/8	-	-
T23ACB12	4.00	2.50	4.75	2.22	1.25	1.25	2.63	-	-	3.72	4.47	1.25	1.35	2.22	1.25	0.28	4.47	3/4	3/4	1/2	3/8	-	-
T23ACB16	4.00	2.50	4.75	2.22	1.25	1.25	2.63	-	-	3.72	4.47	1.25	1.35	2.22	1.25	0.28	4.47	1	1	1/2	3/8	-	-
T23ACB20	4.00	2.50	4.75	2.22	1.25	1.25	2.63	-	-	3.72	4.47	1.25	1.35	2.22	1.25	0.28	4.47	1 1/4	1 1/4	1/2	3/8	-	-
T24ACB16	5.00	3.00	5.87	2.50	1.50	1.50	3.38	-	-	4.66	5.53	1.50	1.60	2.50	1.50	0.34	5.53	1	1	3/4	1/2	-	-
T24ACB20	5.00	3.00	5.87	2.50	1.50	1.50	3.38	-	-	4.66	5.53	1.50	1.60	2.50	1.50	0.34	5.53	1 1/4	1 1/4	3/4	1/2	-	-

Chart continued on next page

Specifications, descriptions, and dimensional data are subject to correction or change without notice or incurring obligation. Download latest catalog page revisions at www.daman.com.

Standard Manifolds
Cover Plates
Valve Adaptors
Subplates
Servo Valve Subplates
Tapping Plates
Cartridge Valve Cavity Bodies
Header and Junction Blocks
Sandwich Modules
Technical Information

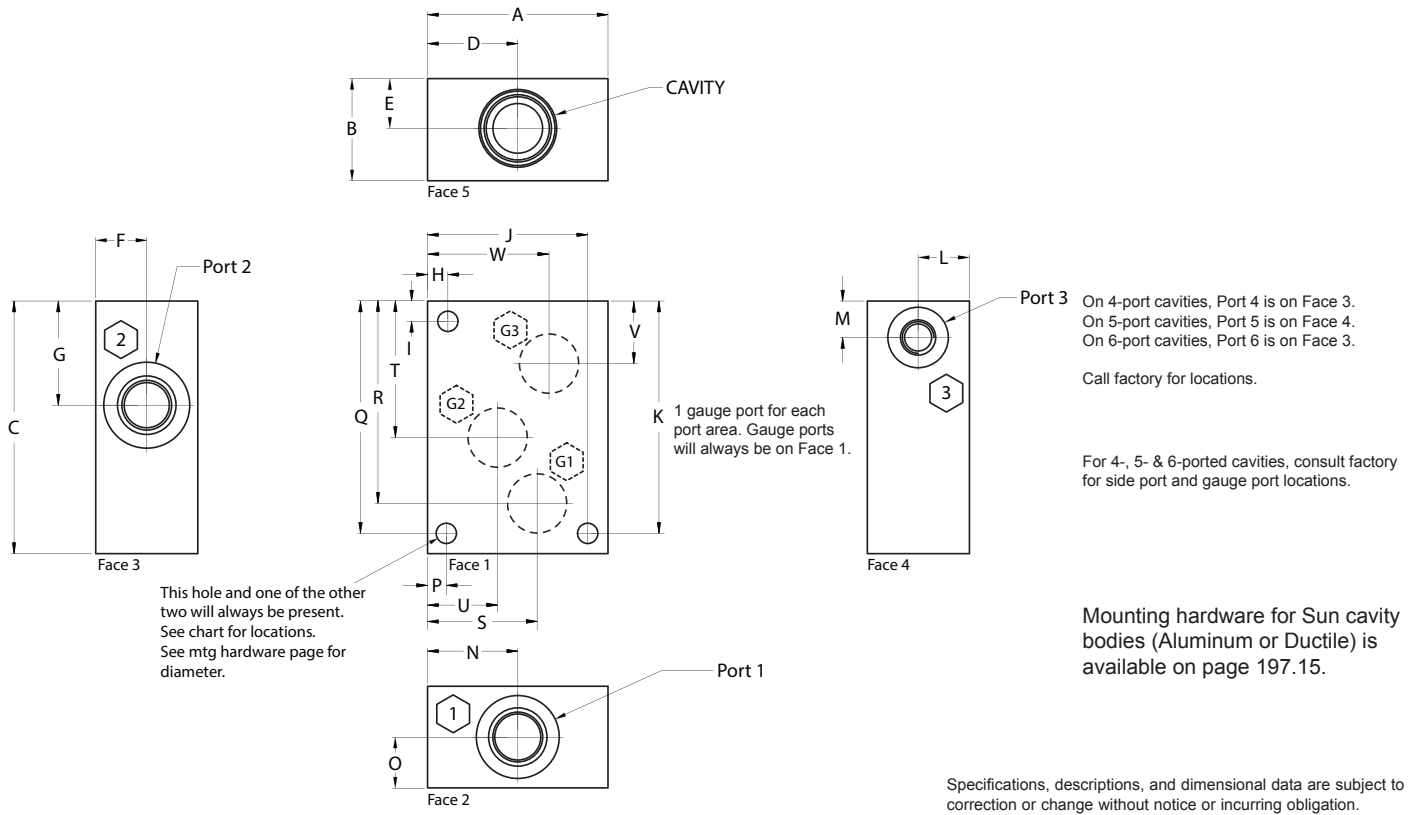


Sun Cavity Bodies - Aluminum & Ductile Iron

Part Number	A	B	C	D	E	F	G	H	I	J	K	L	M	N	O	P	Q	Port 1	Port 2	Port 3	Port 4	Port 5	Port 6
T31ACB4	2.75	1.25	4.75	1.38	0.63	0.63	2.72	-	-	2.53	4.53	0.63	1.82	1.38	0.63	0.22	4.53	1/4	1/4	1/4	1/4	-	-
T31ACB6	2.75	1.25	4.75	1.38	0.63	0.63	2.72	-	-	2.53	4.53	0.63	1.82	1.38	0.63	0.22	4.53	3/8	3/8	3/8	3/8	-	-
T31ACB8	2.75	1.25	4.75	1.38	0.63	0.63	2.72	-	-	2.53	4.53	0.63	1.82	1.38	0.63	0.22	4.53	1/2	1/2	1/2	1/2	-	-
T32ACB6	3.50	2.00	5.25	1.75	1.00	1.00	2.98	-	-	3.22	4.97	1.00	2.02	1.75	1.00	0.28	4.97	3/8	3/8	3/8	3/8	-	-
T32ACB8	3.50	2.00	5.25	1.75	1.00	1.00	2.98	-	-	3.22	4.97	1.00	2.02	1.75	1.00	0.28	4.97	1/2	1/2	1/2	1/2	-	-
T32ACB12	3.50	2.00	5.25	1.75	1.00	1.00	2.98	-	-	3.22	4.97	1.00	2.02	1.75	1.00	0.28	4.97	3/4	3/4	3/4	3/4	-	-
T33ACB12	4.00	2.25	6.38	2.00	1.13	1.13	3.71	-	-	3.66	6.03	1.13	2.53	2.00	1.13	0.34	6.03	3/4	3/4	3/4	3/4	-	-
T33ACB16	4.00	2.25	6.38	2.00	1.13	1.13	3.71	-	-	3.66	6.03	1.13	2.53	2.00	1.13	0.34	6.03	1	1	1	1	-	-
T33ACB20	4.00	3.00	6.50	2.00	1.50	1.50	3.71	-	-	3.66	6.16	1.50	2.53	2.00	1.50	0.34	6.16	1 1/4	1 1/4	1 1/4	1 1/4	-	-
T52ACB6	3.50	2.00	6.25	1.75	1.00	1.00	4.40	-	-	3.22	5.97	1.00	3.43	1.75	1.00	0.28	5.97	3/8	3/8	3/8	3/8	3/8	3/8
T52ACB8	3.50	2.00	6.25	1.75	1.00	1.00	4.40	-	-	3.22	5.97	1.00	3.43	1.75	1.00	0.28	5.97	1/2	1/2	1/2	1/2	1/2	3/8
T52ACB12	3.50	2.00	6.25	1.75	1.00	1.00	4.40	-	-	3.22	5.97	1.00	3.43	1.75	1.00	0.28	5.97	3/4	3/4	3/4	3/4	3/4	3/8
T53ACB12	4.00	3.00	7.63	2.00	1.50	1.50	5.52	-	-	3.66	7.28	1.50	4.35	2.00	1.50	0.34	7.28	3/4	3/4	3/4	3/4	3/4	1/2
T53ACB16	4.00	3.00	7.63	2.00	1.50	1.50	5.52	-	-	3.66	7.28	1.50	4.35	2.00	1.50	0.34	7.28	1	1	1	1	1	1/2
T54ACB20	5.00	4.00	10.00	2.50	2.00	2.00	7.22	-	-	4.66	9.66	2.00	5.66	2.50	2.00	0.34	9.66	1 1/4	1 1/4	1 1/4	1 1/4	1 1/4	3/4
T61ACB4	2.75	1.25	5.62	1.38	0.63	0.63	3.94	-	-	2.53	5.40	0.63	3.03	1.38	0.63	0.22	5.40	1/4	1/4	1/4	1/4	1/4	1/4
T61ACB6	2.75	1.25	5.62	1.38	0.63	0.63	3.94	-	-	2.53	5.40	0.63	3.03	1.38	0.63	0.22	5.40	3/8	3/8	3/8	3/8	3/8	1/4
T61ACB8	2.75	1.25	5.62	1.38	0.63	0.63	3.94	-	-	2.53	5.40	0.63	3.03	1.38	0.63	0.22	5.40	1/2	1/2	1/2	1/2	1/2	1/4
T62ACB6	3.50	2.00	6.25	1.75	1.00	1.00	4.33	-	-	3.22	5.97	1.00	3.38	1.75	1.00	0.28	5.97	3/8	3/8	3/8	3/8	3/8	3/8
T62ACB8	3.50	2.00	6.25	1.75	1.00	1.00	4.33	-	-	3.22	5.97	1.00	3.38	1.75	1.00	0.28	5.97	1/2	1/2	1/2	1/2	3/8	3/8
T62ACB12	3.50	2.00	6.25	1.75	1.00	1.00	4.33	-	-	3.22	5.97	1.00	3.38	1.75	1.00	0.28	5.97	3/4	3/4	3/4	3/4	3/8	3/8
T63ACB12	4.00	2.25	7.75	2.00	1.13	1.13	5.30	-	-	3.66	7.41	1.13	4.13	2.00	1.13	0.34	7.41	3/4	3/4	3/4	3/4	1/2	3/8
T63ACB16	4.00	2.25	7.75	2.00	1.13	1.13	5.30	-	-	3.66	7.41	1.13	4.13	2.00	1.13	0.34	7.41	1	1	1	1	1/2	3/8
T63ACB20	4.50	3.00	8.00	2.25	1.50	1.50	5.30	-	-	4.16	7.66	1.50	4.13	2.25	1.50	0.34	7.66	1 1/4	1 1/4	1 1/4	1 1/4	1/2	3/8
T64ACB16	5.00	3.00	9.62	2.50	1.50	1.50	6.51	-	-	4.66	9.28	1.50	5.01	2.50	1.50	0.34	9.28	1	1	1	1	3/4	1/2
T64ACB20	5.00	3.00	9.62	2.50	1.50	1.50	6.51	-	-	4.66	9.28	1.50	5.01	2.50	1.50	0.34	9.28	1 1/4	1 1/4	1 1/4	1 1/4	3/4	1/2
T162ACB4	1.88	1.25	2.00	1.06	0.63	0.63	0.67	-	-	1.66	1.78	-	-	1.06	0.63	0.22	1.78	1/4	1/4	-	-	-	-
T162ACB6	1.88	1.25	2.00	1.06	0.63	0.63	0.67	-	-	1.66	1.78	-	-	1.06	0.63	0.22	1.78	3/8	3/8	-	-	-	-
T162ACB8	2.00	1.25	2.25	1.23	0.63	0.63	0.67	-	-	1.78	1.22	-	-	1.23	0.63	0.22	2.03	1/2	1/2	-	-	-	-
T163ACB4	2.25	1.25	2.75	1.10	0.63	0.63	1.28	-	-	2.03	2.53	0.63	0.46	1.10	0.63	0.22	2.53	1/4	1/4	1/4	-	-	-
T163ACB6	2.25	1.25	2.75	1.10	0.63	0.63	1.28	-	-	2.03	2.53	0.63	0.46	1.10	0.63	0.22	2.53	3/8	3/8	3/8	-	-	-
T163ACB8	2.75	1.25	3.00	1.38	0.63	0.63	1.28	-	-	2.53	2.78	0.63	0.46	1.38	0.63	0.22	2.78	1/2	1/2	3/8	-	-	-

Specifications, descriptions, and dimensional data are subject to correction or change without notice or incurring obligation. Download latest catalog page revisions at www.daman.com.

Sun Cavity Bodies w/Gauge Ports - Al. & Du. Iron



Ordering Information

Daman can sell Sun valves. See page 227 for stocked valves, or consult factory for price and delivery of valves not shown.

For coating options see pages 245-246.

Material	Sun Cavity Size	Product Type	Port Size	Port Threads	/	G
----------	-----------------	--------------	-----------	--------------	---	---

Material	
A	Aluminum - 6061-T6 3000† psi • 20.7 MPa
D	Ductile Iron - D4512 5000† psi • 34.5 MPa
† Working pressure should be considered in accordance with ISO 4413 to determine appropriate material type.	

Sun Cavity Size					
T2A	T11A	T21A	T33A	T63A	
T3A	T13A	T22A	T52A	T64A	
T5A	T16A	T23A	T53A	T162A	
T8A	T17A	T24A	T54A	T163A	
T9A	T18A	T31A	T61A	---	
T10A	T19A	T32A	T62A	---	

Size of Port 1 & 2	
4	1/4 inch (-4) Hose/Fitting size (M) port threads = M10 x 1.0
6	3/8 inch (-6) Hose/Fitting size (M) port threads = M14 x 1.5
8	1/2 inch (-8) Hose/Fitting size (M) port threads = M18 x 1.5
12	3/4 inch (-12) Hose/Fitting size (M) port threads = M27 x 2.0
16	1 inch (-16) Hose/Fitting size (M) port threads = M33 x 2.0
20	1-1/4 inch (-20) Hose/Fitting size (M) port threads = M42 x 2.0

Port Threads	
P	NPTF ANSI B1.20.3
S	SAE ISO 11926; SAE 1926
B	BSPP ISO 1179
M	ISO ISO 6149
T	BSPT ISO 7

Gauge Port	
G	Gauge Port
0.250 NPTF (P option) 0.250 BSPP (B option) 0.250 BSPT (T option) M10 x 1.0 (M option) -6 SAE (S option)	
Port "style" of gauge port is determined by selection of "port threads".	

Product Type	
CB	Cavity Bodies

Consult chart for port size availability with each cavity size, and for additional port sizes.

Standard Manifolds
Cover Plates
Valve Adaptors
Subplates
Servo Valve Subplates
Tapping Plates
Cartridge Valve Cavity Bodies
Header and Junction Blocks
Sandwich Modules
Technical Information



Sun Cavity Bodies w/Gauge Ports - Al. & Du. Iron

Part Number	A	B	C	D	E	F	G	H	I	J	K	L	M	N	O	P	Q	R	S	T	U	V	W	Port 1	Port 2	Port 3	Port 4	Port 5	Port 6
T2ACB4/G	3.00	2.00	3.25	1.63	0.75	0.75	1.44	-	-	2.72	2.97	0.75	0.51	1.63	0.75	0.28	2.97	2.47	1.63	1.44	0.88	0.51	2.34	1/4	1/4	1/4	-	-	-
T2ACB6/G	3.00	2.00	3.25	1.63	0.75	0.75	1.44	-	-	2.72	2.97	0.75	0.51	1.63	0.75	0.28	2.97	2.47	1.63	1.44	0.88	0.51	2.34	3/8	3/8	3/8	-	-	-
T2ACB8/G	3.00	2.00	3.25	1.63	0.75	0.75	1.44	-	-	2.72	2.97	0.75	0.51	1.63	0.75	0.28	2.97	2.47	1.63	1.44	0.88	0.51	2.34	1/2	1/2	3/8	-	-	-
T2ACB12/G	3.00	2.25	3.25	1.63	1.00	1.00	1.44	-	-	2.72	2.97	1.00	0.51	1.63	1.00	0.28	2.97	2.44	2.09	1.44	1.00	0.51	2.34	3/4	3/4	3/8	-	-	-
T3ACB4/G	2.00	2.00	3.00	1.16	0.75	0.75	1.09	0.22	0.22	-	-	-	-	1.16	0.75	0.22	2.78	2.22	1.16	1.09	0.78	-	-	1/4	1/4	-	-	-	-
T3ACB6/G	2.00	2.00	3.00	1.16	0.75	0.75	1.09	0.22	0.22	-	-	-	-	1.16	0.75	0.22	2.78	2.22	1.16	1.09	0.78	-	-	3/8	3/8	-	-	-	-
T3ACB8/G	2.00	2.00	3.00	1.16	0.75	0.75	1.09	0.22	0.22	-	-	-	-	1.16	0.75	0.22	2.78	2.22	1.16	1.09	0.78	-	-	1/2	1/2	-	-	-	-
T3ACB12/G	2.25	2.25	3.00	1.41	0.88	0.88	1.07	0.22	0.22	-	-	-	-	1.41	0.88	0.22	2.78	2.22	1.41	1.07	0.94	-	-	3/4	3/4	-	-	-	-
T5ACB4/G	2.25	2.00	3.00	1.25	0.75	0.75	0.88	-	-	2.03	2.78	-	-	1.25	0.75	0.22	2.78	2.09	1.25	0.88	0.84	-	-	1/4	1/4	-	-	-	-
T5ACB6/G	2.25	2.00	3.00	1.25	0.75	0.75	0.88	-	-	2.03	2.78	-	-	1.25	0.75	0.22	2.78	2.09	1.25	0.88	0.84	-	-	3/8	3/8	-	-	-	-
T5ACB8/G	2.25	2.00	3.00	1.25	0.75	0.75	0.88	-	-	2.03	2.78	-	-	1.25	0.75	0.22	2.78	2.09	1.25	0.88	0.84	-	-	1/2	1/2	-	-	-	-
T5ACB12/G	2.50	2.25	3.00	1.56	0.88	0.88	0.88	-	-	2.28	2.78	-	-	1.47	0.88	0.22	2.78	2.00	1.56	0.88	1.00	-	-	3/4	3/4	-	-	-	-
T8ACB4/G	2.00	2.00	1.75	1.16	0.75	0.75	0.52	-	-	1.78	0.22	-	-	1.16	0.75	0.22	1.53	1.18	1.41	0.52	0.59	-	-	1/4	1/4	-	-	-	-
T8ACB6/G	2.00	2.00	1.75	1.16	0.75	0.75	0.52	-	-	1.78	0.22	-	-	1.16	0.75	0.22	1.53	1.18	1.41	0.52	0.59	-	-	3/8	3/8	-	-	-	-
T9ACB4/G	2.50	1.75	2.00	1.25	0.75	0.75	0.90	-	-	2.28	1.78	0.75	0.53	1.25	0.75	0.22	1.78	1.44	1.53	0.90	0.66	0.53	1.94	1/4	1/4	1/4	-	-	-
T9ACB6/G	2.50	1.75	2.00	1.25	0.75	0.75	0.90	-	-	2.28	1.78	0.75	0.53	1.25	0.75	0.22	1.78	1.44	1.53	0.90	0.66	0.53	1.94	3/8	3/8	1/4	-	-	-
T10ACB4/G	1.63	2.00	2.50	0.94	0.63	0.63	0.96	0.22	0.22	-	-	-	-	0.94	0.63	0.22	2.28	1.94	0.94	0.96	0.59	-	-	1/4	1/4	-	-	-	-
T10ACB6/G	1.63	2.00	2.50	0.94	0.63	0.63	0.96	0.22	0.22	-	-	-	-	0.94	0.63	0.22	2.28	1.94	0.94	0.96	0.59	-	-	3/8	3/8	-	-	-	-
T10ACB8/G	2.25	2.00	3.00	1.44	0.88	0.88	0.85	-	-	2.03	2.00	-	-	1.25	0.88	0.22	2.00	2.00	1.25	0.85	1.25	-	-	1/2	1/2	-	-	-	-
T10ACB12/G	2.25	2.00	3.00	1.44	0.88	0.88	0.85	-	-	2.03	2.00	-	-	1.25	0.88	0.22	2.00	2.00	1.25	0.85	1.25	-	-	3/4	3/4	-	-	-	-
T11ACB4/G	2.50	1.75	3.00	1.25	0.63	0.63	1.41	-	-	2.28	2.78	0.63	0.47	1.25	0.63	0.22	2.78	2.38	1.59	1.41	0.75	0.47	1.81	1/4	1/4	1/4	-	-	-
T11ACB6/G	2.50	1.75	3.00	1.25	0.63	0.63	1.41	-	-	2.28	2.78	0.63	0.47	1.25	0.63	0.22	2.78	2.38	1.59	1.41	0.75	0.47	1.81	3/8	3/8	3/8	-	-	-
T11ACB8/G	2.50	1.75	3.00	1.25	0.63	0.63	1.41	-	-	2.28	2.78	0.63	0.47	1.25	0.63	0.22	2.78	2.38	1.59	1.41	0.75	0.47	1.81	1/2	1/2	3/8	-	-	-
T13ACB4/G	1.75	1.75	2.25	0.94	0.63	0.63	0.78	-	-	1.53	2.03	-	-	0.94	0.63	0.22	2.03	1.69	0.97	0.78	0.53	-	-	1/4	1/4	-	-	-	-
T13ACB6/G	1.75	1.75	2.25	0.94	0.63	0.63	0.78	-	-	1.53	2.03	-	-	0.94	0.63	0.22	2.03	1.69	0.97	0.78	0.53	-	-	3/8	3/8	-	-	-	-
T13ACB8/G	2.50	2.00	3.00	1.63	0.88	0.88	0.85	-	-	2.28	2.78	-	-	1.44	0.88	0.22	2.78	1.94	1.63	0.84	1.63	-	-	1/2	1/2	-	-	-	-
T13ACB12/G	2.50	2.00	3.00	1.63	0.88	0.88	0.85	-	-	2.28	2.78	-	-	1.44	0.88	0.22	2.78	1.94	1.63	0.84	1.63	-	-	3/4	3/4	-	-	-	-
T16ACB12/G	3.00	2.50	4.00	1.94	1.25	1.25	1.44	0.28	0.28	-	-	-	-	1.75	1.25	0.28	3.72	2.94	1.31	1.44	1.03	-	-	3/4	3/4	-	-	-	-
T16ACB16/G	3.00	2.50	4.00	1.94	1.25	1.25	1.44	0.28	0.28	-	-	-	-	1.75	1.25	0.28	3.72	2.94	1.31	1.44	1.03	-	-	1	1	-	-	-	-
T16ACB20/G	3.00	2.50	4.00	1.94	1.25	1.25	1.44	0.28	0.28	-	-	-	-	1.75	1.25	0.28	3.72	2.94	1.03	1.44	1.31	-	-	1 1/4	1 1/4	-	-	-	-
T17ACB12/G	4.00	2.50	4.25	2.00	1.25	1.25	1.91	-	-	3.72	3.97	1.25	0.60	2.00	1.25	0.28	3.97	3.16	2.00	1.91	1.25	0.60	3.09	3/4	3/4	1/2	-	-	-
T17ACB16/G	4.00	2.50	4.25	2.00	1.25	1.25	1.91	-	-	3.72	3.97	1.25	0.60	2.00	1.25	0.28	3.97	3.16	2.00	1.91	1.25	0.60	3.09	1	1	1/2	-	-	-
T17ACB20/G	4.00	2.50	4.25	2.00	1.25	1.25	1.91	-	-	3.72	3.97	1.25	0.60	2.00	1.25	0.28	3.97	3.16	2.00	1.91	1.25	0.60	3.09	1 1/4	1 1/4	1/2	-	-	-
T18ACB12/G	3.50	3.00	4.50	2.06	1.38	1.38	1.73	0.34	0.34	-	-	-	-	2.06	1.38	0.34	4.16	3.50	2.06	1.73	1.03	-	-	3/4	3/4	-	-	-	-
T18ACB16/G	3.50	3.00	4.50	2.06	1.38	1.38	1.73	0.34	0.34	-	-	-	-	2.06	1.38	0.34	4.16	3.50	2.06	1.73	1.03	-	-	1	1	-	-	-	-
T18ACB20/G	3.50	3.00	4.50	2.06	1.38	1.38	1.73	0.34	0.34	-	-	-	-	2.06	1.38	0.34	4.16	3.50	2.06	1.73	1.03	-	-	1 1/4	1 1/4	-	-	-	-
T19ACB16/G	4.38	3.00	5.00	2.22	1.50	1.50	2.54	-	-	4.03	4.66	1.50	0.75	2.22	1.50	0.34	4.66	4.06	2.22	2.54	1.25	0.75	3.38	1	1	3/4	-	-	-
T19ACB20/G	4.38	3.00	5.00	2.22	1.50	1.50	2.54	-	-	4.03	4.66	1.50	0.75	2.22	1.50	0.34	4.66	4.06	2.22	2.54	1.25	0.75	3.38	1 1/4	1 1/4	3/4	-	-	-
T21ACB4/G	2.50	2.00	3.56	1.25	0.63	0.63	1.98	-	-	2.28	3.34	0.63	1.07	1.25	0.63	0.22	3.34	2.92	1.50	1.98	0.75	1.07	1.84	1/4	1/4	1/4	1/4	-	-
T21ACB6/G	2.50	2.00	3.56	1.25	0.63	0.63	1.98	-	-	2.28	3.34	0.63	1.07	1.25	0.63	0.22	3.34	2.92	1.50	1.98	0.75	1.07	1.84	3/8	3/8	3/8	1/4	-	-
T21ACB8/G	2.50	2.00	3.56	1.25	0.63	0.63	1.98	-	-	2.28	3.34	0.63	1.07	1.25	0.63	0.22	3.34	2.92	1.50	1.98	0.75	1.07	1.84	1/2	1/2	3/8	1/4	-	-
T22ACB6/G	3.50	2.25	3.75	1.75	1.00	1.00	2.04	-	-	3.22	3.47	1.00	1.10	1.75	1.00	0.28	3.47	3.07	1.75	2.04	1.09	1.10	2.78	3/8	3/8	3/8	3/8	-	-
T22ACB8/G	3.50	2.25	3.75	1.75	1.00	1.00	2.04	-	-	3.22	3.47	1.00	1.10	1.75	1.00	0.28	3.47	3.07	1.75	2.04	1.09	1.10	2.78	1/2	1/2	3/8	3/8	-	-
T22ACB12/G	3.50	2.25	4.00	1.75	1.00	1.00	2.04	-	-	3.22	3.72	1.00	1.10	1.75	1.00	0.28	3.72	3.07	1.75	2.04	1.09	1.10	2.78	3/4	3/4	3/8	3/8	-	-
T23ACB12/G	4.00	2.50	4.75	2.22	1.25	1.25	2.63	-	-	3.72	4.47	1.25	1.35	2.22	1.25	0.28	4.47	3.82	2.91	2.63	1.44	1.35	3.22	3/4	3/4	1/2	3/8	-	-
T23ACB16/G	4.00	2.50	4.75	2.22	1.25	1.25	2.63	-	-	3.72	4.47	1.25	1.35	2.22	1.25	0.28	4.47	3.82	2.91	2.63	1.44	1.35	3.22	1	1	1/2	3/8	-	-
T23ACB20/G	4.00	2.50	4.75	2.22	1.25	1.25	2.63	-	-	3.72	4.47	1.25	1.35	2.22	1.25	0.28	4.47	3.82	2.91	2.63	1.44	1.35	3.22	1 1/4	1 1/4	1/2	3/8	-	-
T24ACB16/G	5.00	3.00	5.87	2.50	1.50	1.50	3.38	-	-	4.66	5.53	1.50	1.60	2.50	1.50	0.34	5.53	4.91	2.50	3.38	1.50	1.60	3.75	1	1	3/4	1/2	-	-
T24ACB20/G	5.00	3.00	5.87	2.50	1.50	1.50	3.38	-	-	4.66	5.53	1.50	1.60	2.50	1.50	0.34	5.53	4.91	2										



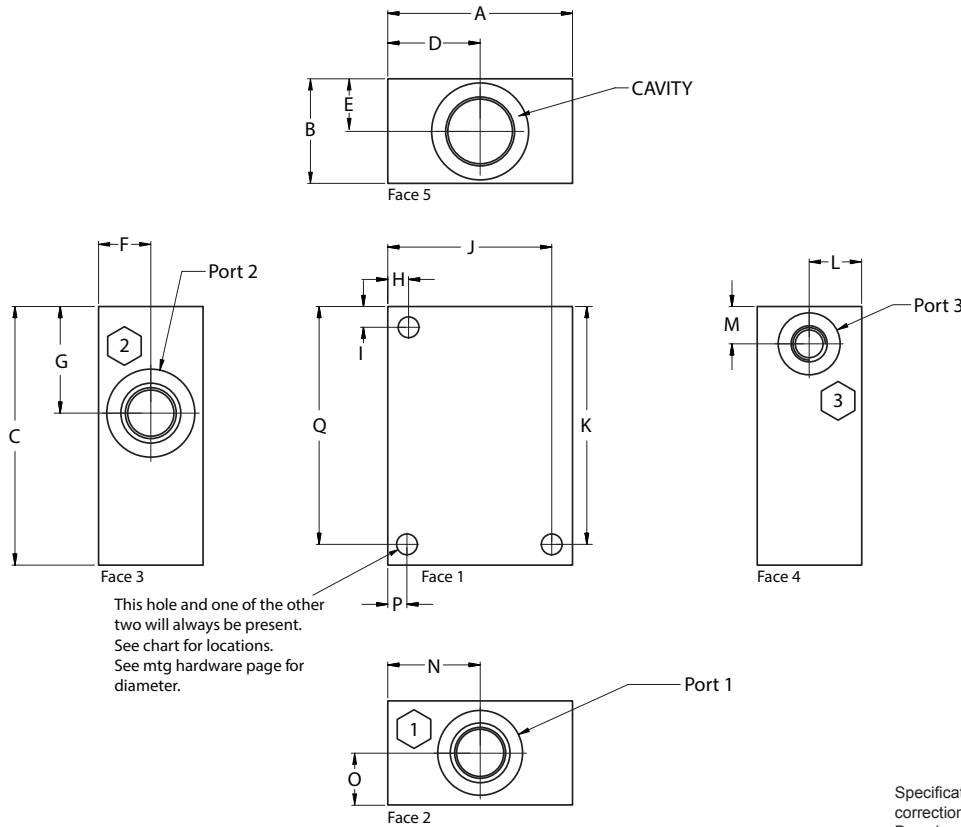
Sun Cavity Bodies w/Gauge Ports - Al. & Du. Iron

Part Number	A	B	C	D	E	F	G	H	I	J	K	L	M	N	O	P	Q	R	S	T	U	V	W	Port 1	Port 2	Port 3	Port 4	Port 5	Port 6
T31ACB4/G	2.75	2.25	4.75	1.38	0.63	0.63	2.72	-	-	2.53	4.53	0.63	1.82	1.38	0.63	0.22	4.53	3.94	1.38	2.72	0.78	1.82	1.94	1/4	1/4	1/4	1/4	-	-
T31ACB6/G	2.75	2.25	4.75	1.38	0.63	0.63	2.72	-	-	2.53	4.53	0.63	1.82	1.38	0.63	0.22	4.53	3.94	1.38	2.72	0.78	1.82	1.94	3/8	3/8	3/8	3/8	-	-
T31ACB8/G	2.75	2.25	4.75	1.38	0.63	0.63	2.72	-	-	2.53	4.53	0.63	1.82	1.38	0.63	0.22	4.53	3.94	1.38	2.72	0.78	1.82	1.94	1/2	1/2	1/2	1/2	-	-
T32ACB6/G	3.50	2.00	5.25	1.75	1.00	1.00	2.98	-	-	3.22	4.97	1.00	2.02	1.75	1.00	0.28	4.97	4.13	1.75	2.98	1.09	2.02	2.41	3/8	3/8	3/8	3/8	-	-
T32ACB8/G	3.50	2.00	5.25	1.75	1.00	1.00	2.98	-	-	3.22	4.97	1.00	2.02	1.75	1.00	0.28	4.97	4.13	1.75	2.98	1.09	2.02	2.41	1/2	1/2	1/2	1/2	-	-
T32ACB12/G	3.50	2.00	5.25	1.75	1.00	1.00	2.98	-	-	3.22	4.97	1.00	2.02	1.75	1.00	0.28	4.97	4.13	1.75	2.98	1.09	2.02	2.41	3/4	3/4	3/4	3/4	-	-
T33ACB12/G	4.00	2.25	6.38	2.00	1.13	1.13	3.71	-	-	3.66	6.03	1.13	2.53	2.00	1.13	0.34	6.03	5.11	2.00	3.71	1.09	2.53	2.91	3/4	3/4	3/4	3/4	-	-
T33ACB16/G	4.00	2.25	6.38	2.00	1.13	1.13	3.71	-	-	3.66	6.03	1.13	2.53	2.00	1.13	0.34	6.03	5.11	2.00	3.71	1.09	2.53	2.91	1	1	1	1	-	-
T33ACB20/G	4.00	3.00	6.50	2.00	1.50	1.50	3.71	-	-	3.66	6.16	1.50	2.53	2.00	1.50	0.34	6.16	5.11	2.00	3.71	1.09	2.53	2.91	1 1/4	1 1/4	1 1/4	1 1/4	-	-
T52ACB6/G	3.50	2.25	6.25	1.75	1.00	1.00	4.40	-	-	3.22	5.97	1.00	3.43	1.75	1.00	0.28	5.97	5.32	1.75	4.40	1.06	3.43	2.44	3/8	3/8	3/8	3/8	3/8	3/8
T52ACB8/G	3.50	2.25	6.25	1.75	1.00	1.00	4.40	-	-	3.22	5.97	1.00	3.43	1.75	1.00	0.28	5.97	5.32	1.75	4.40	1.06	3.43	2.44	1/2	1/2	1/2	1/2	1/2	3/8
T52ACB12/G	3.50	2.25	6.25	1.75	1.00	1.00	4.40	-	-	3.22	5.97	1.00	3.43	1.75	1.00	0.28	5.97	5.32	1.75	4.40	1.06	3.43	2.44	3/4	3/4	3/4	3/4	3/4	3/8
T53ACB12/G	4.00	3.00	7.63	2.00	1.50	1.50	5.52	-	-	3.66	7.28	1.50	4.35	2.00	1.50	0.34	7.28	6.63	2.00	5.52	0.94	4.35	3.06	3/4	3/4	3/4	3/4	3/4	1/2
T53ACB16/G	4.00	3.00	7.63	2.00	1.50	1.50	5.52	-	-	3.66	7.28	1.50	4.35	2.00	1.50	0.34	7.28	6.63	2.00	5.52	0.94	4.35	3.06	1	1	1	1	1	1/2
T54ACB20/G	5.00	4.00	10.00	2.50	2.00	2.00	7.22	-	-	4.66	9.66	2.00	5.66	2.50	2.00	0.34	9.66	8.75	2.50	7.22	1.00	5.66	4.00	1 1/4	1 1/4	1 1/4	1 1/4	1 1/4	3/4
T61ACB4/G	2.75	2.25	5.62	1.38	0.63	0.63	3.94	-	-	2.53	5.40	0.63	3.03	1.38	0.63	0.22	5.40	4.88	1.38	3.94	0.72	3.03	2.03	1/4	1/4	1/4	1/4	1/4	1/4
T61ACB6/G	2.75	2.25	5.62	1.38	0.63	0.63	3.94	-	-	2.53	5.40	0.63	3.03	1.38	0.63	0.22	5.40	4.88	1.38	3.94	0.72	3.03	2.03	3/8	3/8	3/8	3/8	3/8	1/4
T61ACB8/G	2.75	2.25	5.62	1.38	0.63	0.63	3.94	-	-	2.53	5.40	0.63	3.03	1.38	0.63	0.22	5.40	4.88	1.38	3.94	0.72	3.03	2.03	1/2	1/2	1/2	1/2	3/8	1/4
T62ACB6/G	3.50	2.25	6.25	1.75	1.00	1.00	4.33	-	-	3.22	5.97	1.00	3.38	1.75	1.00	0.28	5.97	5.31	1.75	4.33	1.00	3.38	2.50	3/8	3/8	3/8	3/8	3/8	3/8
T62ACB8/G	3.50	2.25	6.25	1.75	1.00	1.00	4.33	-	-	3.22	5.97	1.00	3.38	1.75	1.00	0.28	5.97	5.31	1.75	4.33	1.00	3.38	2.50	1/2	1/2	1/2	1/2	3/8	3/8
T62ACB12/G	3.50	2.25	6.25	1.75	1.00	1.00	4.33	-	-	3.22	5.97	1.00	3.38	1.75	1.00	0.28	5.97	5.31	1.75	4.33	1.00	3.38	2.50	3/4	3/4	3/4	3/4	3/8	3/8
T63ACB12/G	4.00	2.25	7.75	2.00	1.13	1.13	5.30	-	-	3.66	7.41	1.13	4.13	2.00	1.13	0.34	7.41	6.63	2.00	5.30	1.09	4.13	2.91	3/4	3/4	3/4	3/4	1/2	3/8
T63ACB16/G	4.00	2.25	7.75	2.00	1.13	1.13	5.30	-	-	3.66	7.41	1.13	4.13	2.00	1.13	0.34	7.41	6.63	2.00	5.30	1.09	4.13	2.91	1	1	1	1	1/2	3/8
T63ACB20/G	4.50	3.00	8.00	2.25	1.50	1.50	5.30	-	-	4.16	7.66	1.50	4.13	2.25	1.50	0.34	7.66	6.63	2.25	5.30	1.09	4.13	3.41	1 1/4	1 1/4	1 1/4	1 1/4	1/2	3/8
T64ACB16/G	5.00	3.00	9.62	2.50	1.50	1.50	6.51	-	-	4.66	9.28	1.50	5.01	2.50	1.50	0.34	9.28	8.21	2.50	6.51	1.25	5.01	3.75	1	1	1	1	3/4	1/2
T64ACB20/G	5.00	3.00	9.62	2.50	1.50	1.50	6.51	-	-	4.66	9.28	1.50	5.01	2.50	1.50	0.34	9.28	8.21	2.50	6.51	1.25	5.01	3.75	1 1/4	1 1/4	1 1/4	1 1/4	3/4	1/2
T162ACB4/G	1.88	2.00	2.00	1.06	0.63	0.63	0.67	-	-	1.66	1.78	-	-	1.06	0.63	0.22	1.78	1.50	0.84	0.63	1.35	-	-	1/4	1/4	-	-	-	-
T162ACB6/G	1.88	2.00	2.00	1.06	0.63	0.63	0.67	-	-	1.66	1.78	-	-	1.06	0.63	0.22	1.78	1.50	0.84	0.63	1.35	-	-	3/8	3/8	-	-	-	-
T162ACB8/G	2.00	1.75	2.25	1.23	0.63	0.63	0.67	-	-	1.78	1.22	-	-	1.23	0.63	0.22	2.03	1.53	0.91	0.63	1.35	-	-	1/2	1/2	-	-	-	-
T163ACB4/G	2.25	1.75	2.75	1.10	0.63	0.63	1.28	-	-	2.03	2.53	0.63	0.46	1.10	0.63	0.22	2.53	2.16	1.25	1.28	0.63	0.50	1.66	1/4	1/4	1/4	-	-	-
T163ACB6/G	2.25	1.75	2.75	1.10	0.63	0.63	1.28	-	-	2.03	2.53	0.63	0.46	1.10	0.63	0.22	2.53	2.16	1.25	1.28	0.63	0.50	1.66	3/8	3/8	3/8	-	-	-
T163ACB8/G	2.75	1.75	3.00	1.38	0.63	0.63	1.28	-	-	2.53	2.78	0.63	0.46	1.38	0.63	0.22	2.78	2.16	1.50	1.28	0.88	0.50	1.91	1/2	1/2	3/8	-	-	-

Specifications, descriptions, and dimensional data are subject to correction or change without notice or incurring obligation. Download latest catalog page revisions at www.daman.com.

Standard Manifolds
 Cover Plates
 Valve Adaptors
 Subplates
 Servo Valve Subplates
 Tapping Plates
 Cartridge Valve Cavity Bodies
 Header and Junction Blocks
 Sandwich Modules
 Technical Information

Common Cavity Bodies - Aluminum & Ductile Iron



This hole and one of the other two will always be present. See chart for locations. See mtg hardware page for diameter.

Mounting hardware for common cavity bodies (Aluminum or Ductile) is available on page 197.16.

Specifications, descriptions, and dimensional data are subject to correction or change without notice or incurring obligation. Download latest catalog page revisions at www.daman.com.

Ordering Information

For **coating options** see pages 245-246.

Material	Common Cavity Size	Product Type	Port Size	Port Threads
----------	--------------------	--------------	-----------	--------------

For common cavity bodies with gauge port options, see pp. 197.13-197.14.

Material	
A	Aluminum - 6061-T6 3000† psi • 20.7 MPa
D	Ductile Iron - D4512 5000† psi • 34.5 MPa

† Working pressure should be considered in accordance with ISO 4413 to determine appropriate material type.

Common Cavity Size	
C082	C-08-2
C083	C-08-3
C102	C-10-2
C103	C-10-3
C162	C-16-2
C163	C-16-3

Product Type	
CB	Cavity Bodies

Size of Port 1 & 2	
4	1/4 inch (-4) Hose/Fitting size (M) port threads = M10 x 1.0
6	3/8 inch (-6) Hose/Fitting size (M) port threads = M14 x 1.5
8	1/2 inch (-8) Hose/Fitting size (M) port threads = M18 x 1.5
10*	5/8 inch (-10) Hose/Fitting size (M) port threads = M22 x 2.0
12	3/4 inch (-12) Hose/Fitting size (M) port threads = M27 x 2.0
16	1 inch (-16) Hose/Fitting size (M) port threads = M33 x 2.0

*10 size only available with SAE (S) or Metric (M).

Consult chart for port size availability with each cavity size, and for additional port sizes.

Port Threads	
P	NPTF ANSI B1.20.3
S	SAE ISO 11926; SAE 1926
B	BSPP ISO 1179
M	ISO ISO 6149
T	BSPT ISO 7



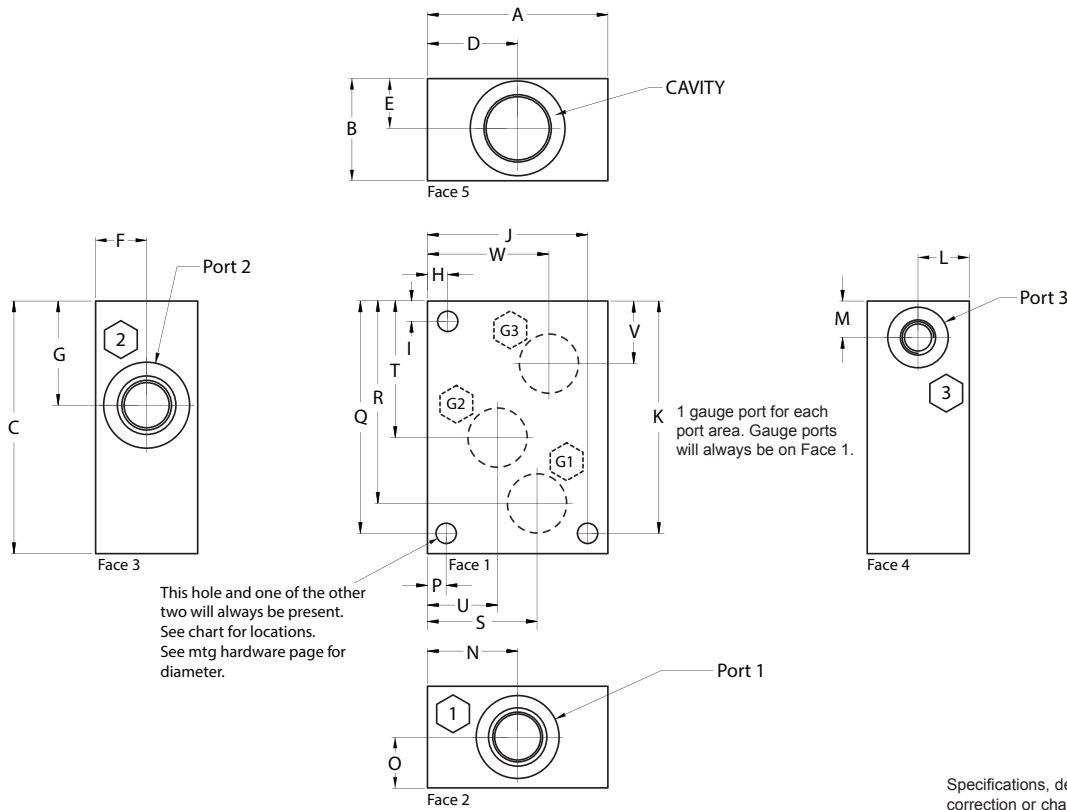
Common Cavity Bodies - Aluminum & Ductile Iron

Part Number	A	B	C	D	E	F	G	H	I	J	K	L	M	N	O	P	Q	Port 1	Port 2	Port 3	Port 4
C082CB4	2.25	1.50	2.00	1.13	0.75	0.75	0.58	-	-	1.97	1.72	-	-	1.13	0.75	0.28	1.72	1/4	1/4	-	-
C082CB6	2.50	1.50	2.00	1.25	0.75	0.75	0.58	-	-	2.22	1.72	-	-	1.25	0.75	0.28	1.72	3/8	3/8	-	-
C082CB8	3.00	1.50	2.25	1.50	0.75	0.75	0.62	-	-	2.72	1.97	-	-	1.50	0.75	0.28	1.97	1/2	1/2	-	-
*C082CB10(S,M)	3.00	1.50	2.50	1.75	0.75	0.75	0.70	-	-	2.72	2.22	-	-	1.75	0.75	0.28	2.22	-10/M22	-10/M22	-	-
C082CB12	3.13	2.00	2.50	1.75	1.00	1.00	0.82	-	-	2.84	2.22	-	-	1.75	1.00	0.28	2.22	3/4	3/4	-	-
C082CB16	3.50	2.00	2.75	1.75	1.00	1.00	0.97	-	-	3.22	2.47	-	-	1.75	1.00	0.28	2.47	1	1	-	-
C083CB4	2.50	1.50	2.75	1.25	0.75	0.75	1.14	-	-	2.22	2.47	0.75	0.58	1.25	0.75	0.28	2.47	1/4	1/4	1/4	-
C083CB6	3.00	1.50	2.75	1.50	0.75	0.75	1.14	-	-	2.72	2.47	0.75	0.58	1.50	0.75	0.28	2.47	3/8	3/8	3/8	-
C083CB8	3.00	1.50	3.00	1.50	0.75	0.75	1.14	-	-	2.72	2.72	0.75	0.58	1.50	0.75	0.28	2.72	1/2	1/2	1/4	-
*C083CB10(S,M)	3.00	1.50	3.00	1.50	0.75	0.75	1.14	-	-	2.72	2.72	0.75	0.58	1.50	0.75	0.28	2.72	-10/M22	-10/M22	-6/M10	-
C083CB12	3.00	2.00	3.00	1.63	1.00	1.00	1.14	-	-	2.72	2.72	1.00	0.58	1.63	1.00	0.28	2.72	3/4	3/4	1/4	-
C083CB16	3.50	2.00	3.25	1.75	1.00	1.00	1.14	-	-	3.22	2.97	1.00	0.58	1.75	1.00	0.28	2.97	1	1	1/4	-
C102CB4	2.38	1.50	2.50	1.38	0.75	0.75	0.73	-	-	2.09	2.22	-	-	1.38	0.75	0.28	2.22	1/4	1/4	-	-
C102CB6	2.50	1.50	2.50	1.38	0.75	0.75	0.73	-	-	2.22	2.22	-	-	1.38	0.75	0.28	2.22	3/8	3/8	-	-
C102CB8	2.75	1.50	2.50	1.50	0.75	0.75	0.73	-	-	2.47	2.22	-	-	1.50	0.75	0.28	2.22	1/2	1/2	-	-
*C102CB10(S,M)	3.00	1.50	3.00	1.63	0.75	0.75	0.82	-	-	2.72	2.72	-	-	1.63	0.75	0.28	2.72	-10/M22	-10/M22	-	-
C102CB12	3.00	2.00	3.00	1.75	1.00	1.00	0.84	-	-	2.72	2.72	-	-	1.75	1.00	0.28	2.72	3/4	3/4	-	-
C102CB16	3.50	2.00	3.00	2.00	1.00	1.00	1.00	-	-	3.22	2.72	-	-	2.00	1.00	0.28	2.72	1	1	-	-
C103CB4	2.50	1.50	3.00	1.25	0.75	0.75	1.37	-	-	2.22	2.72	0.75	0.75	1.25	0.75	0.28	2.72	1/4	1/4	1/4	-
C103CB6	3.00	1.50	3.00	1.50	0.75	0.75	1.37	-	-	2.72	2.72	0.75	0.75	1.50	0.75	0.28	2.72	3/8	3/8	1/4	-
C103CB8	3.00	1.50	3.25	1.50	0.75	0.75	1.37	-	-	2.72	2.97	0.75	0.75	1.50	0.75	0.28	2.97	1/2	1/2	1/4	-
*C103CB10(S,M)	3.50	1.50	3.25	1.75	0.75	0.75	1.37	-	-	3.22	2.97	0.75	0.75	1.75	0.75	0.28	2.97	-10/M22	-10/M22	-6/M10	-
C103CB12	3.50	2.00	3.25	1.75	1.00	1.00	1.37	-	-	3.22	2.97	1.00	0.75	1.75	1.00	0.28	2.97	3/4	3/4	1/4	-
C103CB16	3.50	2.00	3.50	2.00	1.00	1.00	1.37	-	-	3.22	3.22	1.00	0.75	2.00	1.00	0.28	3.22	1	1	1/4	-
C162CB4	3.00	2.00	3.00	1.50	1.00	1.00	1.00	-	-	2.66	2.66	-	-	1.50	1.00	0.34	2.66	1/4	1/4	-	-
C162CB6	3.00	2.00	3.00	1.50	1.00	1.00	1.00	-	-	2.66	2.66	-	-	1.50	1.00	0.34	2.66	3/8	3/8	-	-
C162CB8	3.25	2.00	3.00	1.75	1.00	1.00	1.00	-	-	2.91	2.66	-	-	1.75	1.00	0.34	2.66	1/2	1/2	-	-
*C162CB10(S,M)	3.25	2.00	3.00	1.75	1.00	1.00	1.00	-	-	2.91	2.66	-	-	1.75	1.00	0.34	2.66	-10/M22	-10/M22	-	-
C162CB12	3.25	2.00	3.00	1.75	1.00	1.00	1.00	-	-	2.91	2.66	-	-	1.75	1.00	0.34	2.66	3/4	3/4	-	-
C162CB16	3.50	2.00	3.50	2.00	1.00	1.00	1.00	-	-	3.16	3.16	-	-	2.00	1.00	0.34	3.16	1	1	-	-
C163CB4	3.00	2.00	4.00	1.50	1.00	1.00	2.12	-	-	2.66	3.66	1.00	1.00	1.50	1.00	0.34	3.66	1/4	1/4	1/4	-
C163CB6	3.00	2.00	4.25	1.50	1.00	1.00	2.12	-	-	2.66	3.91	1.00	1.00	1.50	1.00	0.34	3.91	3/8	3/8	3/8	-
C163CB8	3.00	2.00	4.25	1.50	1.00	1.00	2.12	-	-	2.66	3.91	1.00	1.00	1.50	1.00	0.34	3.91	1/2	1/2	1/2	-
*C163CB10(S,M)	3.00	2.00	4.50	1.50	1.00	1.00	2.12	-	-	2.66	4.16	1.00	1.00	1.50	1.00	0.34	4.16	-10/M22	-10/M22	-8/M18	-
C163CB12	3.50	2.00	4.50	1.75	1.00	1.00	2.12	-	-	3.16	4.16	1.00	1.00	1.75	1.00	0.34	4.16	3/4	3/4	1/2	-
C163CB16	3.50	2.00	4.50	1.88	1.00	1.00	2.12	-	-	3.16	4.16	1.00	1.00	1.88	1.00	0.34	4.16	1	1	1/2	-

Specifications, descriptions, and dimensional data are subject to correction or change without notice or incurring obligation. Download latest catalog page revisions at www.daman.com.

Standard Manifolds
 Cover Plates
 Valve Adaptors
 Subplates
 Servo Valve Subplates
 Tapping Plates
 Cartridge Valve Cavity Bodies
 Header and Junction Blocks
 Sandwich Modules
 Technical Information

Common Cavity Bodies w/Gauge Ports - Al & Du Iron



This hole and one of the other two will always be present. See chart for locations. See mtg hardware page for diameter.

Mounting hardware for common cavity bodies (Aluminum or Ductile) is available on page 197.16.

Specifications, descriptions, and dimensional data are subject to correction or change without notice or incurring obligation. Download latest catalog page revisions at www.daman.com.

Ordering Information

For **coating options** see pages 245-246.

Material	Common Cavity Size	Product Type	Port Size	Port Threads	/	G
----------	--------------------	--------------	-----------	--------------	---	---

Material	
A	Aluminum - 6061-T6 3000† psi • 20.7 MPa
D	Ductile Iron - D4512 5000† psi • 34.5 MPa
† Working pressure should be considered in accordance with ISO 4413 to determine appropriate material type.	

Common Cavity Size	
C082	C-08-2
C083	C-08-3
C102	C-10-2
C103	C-10-3
C162	C-16-2
C163	C-16-3

Size of Port 1 & 2	
4	1/4 inch (-4) Hose/Fitting size (M) port threads = M10 x 1.0
6	3/8 inch (-6) Hose/Fitting size (M) port threads = M14 x 1.5
8	1/2 inch (-8) Hose/Fitting size (M) port threads = M18 x 1.5
10*	5/8 inch (-10) Hose/Fitting size (M) port threads = M22 x 2.0
12	3/4 inch (-12) Hose/Fitting size (M) port threads = M27 x 2.0
16	1 inch (-16) Hose/Fitting size (M) port threads = M33 x 2.0

Port Threads	
P	NPTF ANSI B1.20.3
S	SAE ISO 11926; SAE 1926
B	BSPP ISO 1179
M	ISO ISO 6149
T	BSPT ISO 7

Gauge Port	
G	Gauge Port
0.250 NPTF (P option) 0.250 BSPP (B option) 0.250 BSPT (T option) M10 x 1.0 (M option) -6 SAE (S option)	
Port "style" of gauge port is determined by selection of "port threads".	

Product Type	
CB	Cavity Bodies

*10 size only available with SAE (S) or Metric (M).
Consult chart for port size availability with each cavity size, and for additional port sizes.



Common Cavity Bodies w/Gauge Ports - Al & Du Iron

Part Number	A	B	C	D	E	F	G	H	I	J	K	L	M	N	O	P	Q	R	S	T	U	V	W	Port 1	Port 2	Port 3	Port 4
C082CB4/G	2.25	2.00	2.00	1.13	0.75	0.75	0.58	-	-	1.97	1.72	-	-	1.13	0.75	0.28	1.72	1.48	0.94	0.58	1.46	-	-	1/4	1/4	-	-
C082CB6/G	2.50	2.00	2.00	1.25	0.75	0.75	0.58	-	-	2.22	1.72	-	-	1.25	0.75	0.28	1.72	1.42	1.00	0.58	1.59	-	-	3/8	3/8	-	-
C082CB8/G	3.00	2.00	2.25	1.50	0.75	0.75	0.62	-	-	2.72	1.97	-	-	1.50	0.75	0.28	1.97	1.55	1.19	0.58	1.84	-	-	1/2	1/2	-	-
*C082CB10(S,M)/G	3.00	2.00	2.50	1.75	0.75	0.75	0.70	-	-	2.72	2.22	-	-	1.75	0.75	0.28	2.22	1.65	1.42	0.58	2.08	-	-	-10/M22	-10/M22	-	-
C082CB12/G	3.13	2.50	2.50	1.75	1.00	1.00	0.82	-	-	2.84	2.22	-	-	1.75	1.00	0.28	2.22	1.62	1.32	0.58	2.08	-	-	3/4	3/4	-	-
C082CB16/G	3.50	2.50	2.75	1.75	1.00	1.00	0.97	-	-	3.22	2.47	-	-	1.75	1.00	0.28	2.47	1.59	1.53	0.58	2.09	-	-	1	1	-	-
C083CB4/G	2.50	2.00	2.75	1.25	0.75	0.75	1.14	-	-	2.22	2.47	0.75	0.58	1.25	0.75	0.28	2.47	2.11	1.08	1.14	0.72	0.58	1.76	1/4	1/4	1/4	-
C083CB6/G	3.00	2.00	2.75	1.50	0.75	0.75	1.14	-	-	2.72	2.47	0.75	0.58	1.50	0.75	0.28	2.47	2.07	1.28	1.14	0.76	0.58	2.24	3/8	3/8	3/8	-
C083CB8/G	3.00	2.00	3.00	1.50	0.75	0.75	1.14	-	-	2.72	2.72	0.75	0.58	1.50	0.75	0.28	2.72	2.16	1.28	1.14	0.88	0.58	2.24	1/2	1/2	1/4	-
*C083CB10(S,M)/G	3.00	2.00	3.00	1.50	0.75	0.75	1.14	-	-	2.72	2.72	0.75	0.58	1.50	0.75	0.28	2.72	2.16	1.16	1.14	0.92	0.58	2.06	-10/M22	-10/M22	-6/M10	-
C083CB12/G	3.00	2.50	3.00	1.63	1.00	1.00	1.14	-	-	2.72	2.72	1.00	0.58	1.63	1.00	0.28	2.72	2.08	1.28	0.98	0.92	0.58	2.24	3/4	3/4	1/4	-
C083CB16/G	3.50	2.50	3.25	1.75	1.00	1.00	1.14	-	-	3.22	2.97	1.00	0.58	1.75	1.00	0.28	2.97	2.29	1.32	1.14	1.08	0.58	2.68	1	1	1/4	-
C102CB4/G	2.38	2.00	2.50	1.38	0.75	0.75	0.73	-	-	2.09	2.22	-	-	1.38	0.75	0.28	2.22	1.78	1.20	0.73	1.78	-	-	1/4	1/4	-	-
C102CB6/G	2.50	2.00	2.50	1.38	0.75	0.75	0.73	-	-	2.22	2.22	-	-	1.38	0.75	0.28	2.22	1.78	1.16	0.73	1.76	-	-	3/8	3/8	-	-
C102CB8/G	2.75	2.00	2.50	1.50	0.75	0.75	0.73	-	-	2.47	2.22	-	-	1.50	0.75	0.28	2.22	1.70	1.22	0.73	1.88	-	-	1/2	1/2	-	-
*C102CB10(S,M)/G	3.00	2.00	3.00	1.63	0.75	0.75	0.82	-	-	2.72	2.72	-	-	1.63	0.75	0.28	2.72	2.04	1.28	0.73	2.00	-	-	-10/M22	-10/M22	-	-
C102CB12/G	3.00	2.50	3.00	1.75	1.00	1.00	0.84	-	-	2.72	2.72	-	-	1.75	1.00	0.28	2.72	2.08	1.32	0.73	2.14	-	-	3/4	3/4	-	-
C102CB16/G	3.50	2.50	3.00	2.00	1.00	1.00	1.00	-	-	3.22	2.72	-	-	2.00	1.00	0.28	2.72	2.00	1.52	0.73	2.40	-	-	1	1	-	-
C103CB4/G	2.50	2.00	3.00	1.25	0.75	0.75	1.37	-	-	2.22	2.72	0.75	0.75	1.25	0.75	0.28	2.72	2.36	1.07	1.37	0.71	0.75	1.66	1/4	1/4	1/4	-
C103CB6/G	3.00	2.00	3.00	1.50	0.75	0.75	1.37	-	-	2.72	2.72	0.75	0.75	1.50	0.75	0.28	2.72	2.32	1.26	1.37	0.84	0.75	2.28	3/8	3/8	1/4	-
C103CB8/G	3.00	2.00	3.25	1.50	0.75	0.75	1.37	-	-	2.72	2.97	0.75	0.75	1.50	0.75	0.28	2.97	2.45	1.19	1.37	0.96	0.75	2.24	1/2	1/2	1/4	-
*C103CB10(S,M)/G	3.50	2.00	3.25	1.75	0.75	0.75	1.37	-	-	3.22	2.97	0.75	0.75	1.75	0.75	0.28	2.97	2.43	1.40	1.37	1.40	0.75	2.48	-10/M22	-10/M22	-6/M10	-
C103CB12/G	3.50	2.50	3.25	1.75	1.00	1.00	1.37	-	-	3.22	2.97	1.00	0.75	1.75	1.00	0.28	2.97	2.33	1.46	1.37	0.92	0.75	2.60	3/4	3/4	1/4	-
C103CB16/G	3.50	2.50	3.50	2.00	1.00	1.00	1.37	-	-	3.22	3.22	1.00	0.75	2.00	1.00	0.28	3.22	2.58	1.44	1.37	1.44	0.75	2.68	1	1	1/4	-
C162CB4/G	3.00	2.50	3.00	1.50	1.00	1.00	1.00	-	-	2.66	2.66	-	-	1.50	1.00	0.34	2.66	2.33	1.31	1.00	2.12	-	-	1/4	1/4	-	-
C162CB6/G	3.00	2.50	3.00	1.50	1.00	1.00	1.00	-	-	2.66	2.66	-	-	1.50	1.00	0.34	2.66	2.28	1.26	1.00	2.12	-	-	3/8	3/8	-	-
C162CB8/G	3.25	2.50	3.00	1.75	1.00	1.00	1.00	-	-	2.91	2.66	-	-	1.75	1.00	0.34	2.66	2.28	1.42	1.00	2.36	-	-	1/2	1/2	-	-
*C162CB10(S,M)/G	3.25	2.50	3.00	1.75	1.00	1.00	1.00	-	-	2.91	2.66	-	-	1.75	1.00	0.34	2.66	2.32	1.36	1.00	2.36	-	-	-10/M22	-10/M22	-	-
C162CB12/G	3.25	2.50	3.00	1.75	1.00	1.00	1.00	-	-	2.91	2.66	-	-	1.75	1.00	0.34	2.66	2.30	1.30	1.12	2.37	-	-	3/4	3/4	-	-
C162CB16/G	3.50	2.50	3.50	2.00	1.00	1.00	1.00	-	-	3.16	3.16	-	-	2.00	1.00	0.34	3.16	2.42	1.44	1.12	2.60	-	-	1	1	-	-
C163CB4/G	3.00	2.50	4.00	1.50	1.00	1.00	2.12	-	-	2.66	3.66	1.00	1.00	1.50	1.00	0.34	3.66	3.36	1.32	2.12	0.94	1.00	2.12	1/4	1/4	1/4	-
C163CB6/G	3.00	2.50	4.25	1.50	1.00	1.00	2.12	-	-	2.66	3.91	1.00	1.00	1.50	1.00	0.34	3.91	3.41	1.26	2.12	0.94	1.00	2.12	3/8	3/8	3/8	-
C163CB8/G	3.00	2.50	4.25	1.50	1.00	1.00	2.12	-	-	2.66	3.91	1.00	1.00	1.50	1.00	0.34	3.91	3.45	1.19	2.12	0.94	1.00	2.12	1/2	1/2	1/2	-
*C163CB10(S,M)/G	3.00	2.50	4.50	1.50	1.00	1.00	2.12	-	-	2.66	4.16	1.00	1.00	1.50	1.00	0.34	4.16	3.46	1.16	2.12	0.94	1.00	2.12	-10/M22	-10/M22	-8/M18	-
C163CB12/G	3.50	2.50	4.50	1.75	1.00	1.00	2.12	-	-	3.16	4.16	1.00	1.00	1.75	1.00	0.34	4.16	3.50	1.34	2.12	1.18	1.00	2.36	3/4	3/4	1/2	-
C163CB16/G	3.50	2.50	4.50	1.88	1.00	1.00	2.12	-	-	3.16	4.16	1.00	1.00	1.88	1.00	0.34	4.16	3.54	1.31	2.12	1.31	1.00	2.50	1	1	1/2	-

Specifications, descriptions, and dimensional data are subject to correction or change without notice or incurring obligation. Download latest catalog page revisions at www.daman.com.

Standard Manifolds
 Cover Plates
 Valve Adaptors
 Subplates
 Servo Valve Subplates
 Tapping Plates
 Cartridge Valve Cavity Bodies
 Header and Junction Blocks
 Sandwich Modules
 Technical Information

Sun Cavity Bodies Mounting Hardware			Sun Cavity Bodies Mounting Hardware (Gauge Ports)		
Part Number	Mounting Bolts	Mtg Hole Dia	Part Number	Mounting Bolts	Mtg Hole Dia
*T2ACB [4,6,8] [P,S]	[P,S] - UNC 0.250-20 x 2.00 long	0.281	*T2ACB [4,6,8] [P,S] /G	[P,S] - UNC 0.250-20 x 2.50 long	0.281
*T2ACB [4,6,8] [B,M,T]	[B,M,T] - ISO M6 x 45mm long	0.265	*T2ACB [4,6,8] [B,M,T] /G	[B,M,T] - ISO M6 x 60mm long	0.265
*T2ACB [12] [P,S]	[P,S] - UNC 0.250-20 x 2.50 long	0.281	*T2ACB [12] [P,S] /G	[P,S] - UNC 0.250-20 x 2.75 long	0.281
*T2ACB [12] [B,M,T]	[B,M,T] - ISO M6 x 60mm long	0.265	*T2ACB [12] [B,M,T] /G	[B,M,T] - ISO M6 x 70mm long	0.265
*T3ACB [4,6,8] [P,S]	[P,S] - UNC 10-24 x 1.75 long	0.219	*T3ACB [4,6,8] [P,S] /G	[P,S] - UNC 10-24 x 2.25 long	0.219
*T3ACB [4,6,8] [B,M,T]	[B,M,T] - ISO M5 x 45mm long	0.219	*T3ACB [4,6,8] [B,M,T] /G	[B,M,T] - ISO M5 x 60mm long	0.219
*T3ACB [12] [P,S]	[P,S] - UNC 10-24 x 2.00 long	0.219	*T3ACB [12] [P,S] /G	[P,S] - UNC 10-24 x 2.50 long	0.219
*T3ACB [12] [B,M,T]	[B,M,T] - ISO M5 x 50mm long	0.219	*T3ACB [12] [B,M,T] /G	[B,M,T] - ISO M5 x 70mm long	0.219
*T5ACB [4,6,8] [P,S]	[P,S] - UNC 10-24 x 1.75 long	0.219	*T5ACB [4,6,8] [P,S] /G	[P,S] - UNC 10-24 x 2.25 long	0.219
*T5ACB [4,6,8] [B,M,T]	[B,M,T] - ISO M5 x 45mm long	0.219	*T5ACB [4,6,8] [B,M,T] /G	[B,M,T] - ISO M5 x 60mm long	0.219
*T5ACB [12] [P,S]	[P,S] - UNC 10-24 x 2.00 long	0.219	*T5ACB [12] [P,S] /G	[P,S] - UNC 10-24 x 2.50 long	0.219
*T5ACB [12] [B,M,T]	[B,M,T] - ISO M5 x 50mm long	0.219	*T5ACB [12] [B,M,T] /G	[B,M,T] - ISO M5 x 70mm long	0.219
*T8ACB [4,6] [P,S]	[P,S] - UNC 10-24 x 1.75 long	0.219	*T8ACB [4,6] [P,S] /G	[P,S] - UNC 10-24 x 2.25 long	0.219
*T8ACB [4,6] [B,M,T]	[B,M,T] - ISO M5 x 45mm long	0.219	*T8ACB [4,6] [B,M,T] /G	[B,M,T] - ISO M5 x 60mm long	0.219
*T9ACB [4,6] [P,S]	[P,S] - UNC 10-24 x 1.75 long	0.219	*T9ACB [4,6] [P,S] /G	[P,S] - UNC 10-24 x 2.00 long	0.219
*T9ACB [4,6] [B,M,T]	[B,M,T] - ISO M5 x 45mm long	0.219	*T9ACB [4,6] [B,M,T] /G	[B,M,T] - ISO M5 x 50mm long	0.219
*T10ACB [4,6] [P,S]	[P,S] - UNC 10-24 x 1.50 long	0.219	*T10ACB [4,6,8,12] [P,S] /G	[P,S] - UNC 10-24 x 2.25 long	0.219
*T10ACB [4,6] [B,M,T]	[B,M,T] - ISO M5 x 40mm long	0.219	*T10ACB [4,6,8,12] [B,M,T] /G	[B,M,T] - ISO M5 x 60mm long	0.219
*T10ACB [8,12] [P,S]	[P,S] - UNC 10-24 x 2.00 long	0.219	*T11ACB [4,6,8] [P,S] /G	[P,S] - UNC 10-24 x 2.00 long	0.219
*T10ACB [8,12] [B,M,T]	[B,M,T] - ISO M5 x 50mm long	0.219	*T11ACB [4,6,8] [B,M,T] /G	[B,M,T] - ISO M5 x 50mm long	0.219
*T11ACB [4,6,8] [P,S]	[P,S] - UNC 10-24 x 1.50 long	0.219	*T13ACB [4,6] [P,S] /G	[P,S] - UNC 10-24 x 2.00 long	0.219
*T11ACB [4,6,8] [B,M,T]	[B,M,T] - ISO M5 x 40mm long	0.219	*T13ACB [4,6] [B,M,T] /G	[B,M,T] - ISO M5 x 50mm long	0.219
*T13ACB [4,6] [P,S]	[P,S] - UNC 10-24 x 1.50 long	0.219	*T13ACB [8,12] [P,S] /G	[P,S] - UNC 10-24 x 2.25 long	0.219
*T13ACB [4,6] [B,M,T]	[B,M,T] - ISO M5 x 40mm long	0.219	*T13ACB [8,12] [B,M,T] /G	[B,M,T] - ISO M5 x 60mm long	0.219
*T13ACB [8,12] [P,S]	[P,S] - UNC 10-24 x 2.00 long	0.219	*T16ACB [12,16,20] [P,S] /G	[P,S] - UNC 0.250-20 x 3.00 long	0.219
*T13ACB [8,12] [B,M,T]	[B,M,T] - ISO M5 x 50mm long	0.219	*T16ACB [12,16,20] [B,M,T] /G	[B,M,T] - ISO M6 x 70mm long	0.219
*T16ACB [12,16,20] [P,S]	[P,S] - UNC 0.250-20 x 3.00 long	0.281	*T17ACB [12,16,20] [P,S] /G	[P,S] - UNC 0.250-20 x 3.00 long	0.281
*T16ACB [12,16,20] [B,M,T]	[B,M,T] - ISO M6 x 70mm long	0.265	*T17ACB [12,16,20] [B,M,T] /G	[B,M,T] - ISO M6 x 70mm long	0.265
*T17ACB [12,16,20] [P,S]	[P,S] - UNC 0.250-20 x 3.00 long	0.281	*T18ACB [12,16,20] [P,S] /G	[P,S] - UNC 0.312-18 x 3.50 long	0.281
*T17ACB [12,16,20] [B,M,T]	[B,M,T] - ISO M6 x 70mm long	0.265	*T18ACB [12,16,20] [B,M,T] /G	[B,M,T] - ISO M8 x 90mm long	0.265
*T18ACB [12,16,20] [P,S]	[P,S] - UNC 0.312-18 x 3.00 long	0.344	*T19ACB [16,20] [P,S] /G	[P,S] - UNC 0.312-18 x 3.50 long	0.344
*T18ACB [12,16,20] [B,M,T]	[B,M,T] - ISO M8 x 80mm long	0.344	*T19ACB [16,20] [B,M,T] /G	[B,M,T] - ISO M8 x 90mm long	0.344
*T19ACB [16,20] [P,S]	[P,S] - UNC 0.312-18 x 3.50 long	0.344	*T21ACB [4,6,8] [P,S] /G	[P,S] - UNC 10-24 x 2.25 long	0.344
*T19ACB [16,20] [B,M,T]	[B,M,T] - ISO M8 x 90mm long	0.344	*T21ACB [4,6,8] [B,M,T] /G	[B,M,T] - ISO M5 x 60mm long	0.344
*T21ACB [4,6,8] [P,S]	[P,S] - UNC 10-24 x 1.50 long	0.219	*T22ACB [6,8,12] [P,S] /G	[P,S] - UNC 0.250-20 x 2.75 long	0.219
*T21ACB [4,6,8] [B,M,T]	[B,M,T] - ISO M5 x 40mm long	0.219	*T22ACB [6,8,12] [B,M,T] /G	[B,M,T] - ISO M6 x 70mm long	0.219
*T22ACB [6,8,12] [P,S]	[P,S] - UNC 0.250-20 x 2.50 long	0.281	*T23ACB [12,16,20] [P,S] /G	[P,S] - UNC 0.250-20 x 3.00 long	0.281
*T22ACB [6,8,12] [B,M,T]	[B,M,T] - ISO M6 x 60mm long	0.265	*T23ACB [12,16,20] [B,M,T] /G	[B,M,T] - ISO M6 x 70mm long	0.265
*T23ACB [12,16,20] [P,S]	[P,S] - UNC 0.250-20 x 3.00 long	0.281	*T24ACB [16,20] [P,S] /G	[P,S] - UNC 0.312-18 x 3.50 long	0.281
*T23ACB [12,16,20] [B,M,T]	[B,M,T] - ISO M6 x 70mm long	0.265	*T24ACB [16,20] [B,M,T] /G	[B,M,T] - ISO M8 x 90mm long	0.265
*T24ACB [16,20] [P,S]	[P,S] - UNC 0.312-18 x 3.50 long	0.344	*T31ACB [4,6,8] [P,S] /G	[P,S] - UNC 10-24 x 2.50 long	0.344
*T24ACB [16,20] [B,M,T]	[B,M,T] - ISO M8 x 90mm long	0.344	*T31ACB [4,6,8] [B,M,T] /G	[B,M,T] - ISO M5 x 70mm long	0.344
*T31ACB [4,6,8] [P,S]	[P,S] - UNC 10-24 x 1.50 long	0.219	*T32ACB [6,8,12] [P,S] /G	[P,S] - UNC 0.250-20 x 2.50 long	0.219
*T31ACB [4,6,8] [B,M,T]	[B,M,T] - ISO M5 x 40mm long	0.219	*T32ACB [6,8,12] [B,M,T] /G	[B,M,T] - ISO M6 x 60mm long	0.219
*T32ACB [6,8,12] [P,S]	[P,S] - UNC 0.250-20 x 2.50 long	0.281	*T33ACB [12,16] [P,S] /G	[P,S] - UNC 0.312-18 x 2.75 long	0.281
*T32ACB [6,8,12] [B,M,T]	[B,M,T] - ISO M6 x 60mm long	0.265	*T33ACB [12,16] [B,M,T] /G	[B,M,T] - ISO M8 x 70mm long	0.265
*T33ACB [12,16] [P,S]	[P,S] - UNC 0.312-18 x 2.75 long	0.344	*T33ACB [20] [P,S] /G	[P,S] - UNC 0.312-18 x 3.50 long	0.344
*T33ACB [12,16] [B,M,T]	[B,M,T] - ISO M8 x 70mm long	0.344	*T33ACB [20] [B,M,T] /G	[B,M,T] - ISO M8 x 90mm long	0.344
*T33ACB [20] [P,S]	[P,S] - UNC 0.312-18 x 3.50 long	0.344	*T52ACB [6,8,12] [P,S] /G	[P,S] - UNC 0.250-20 x 2.75 long	0.344
*T33ACB [20] [B,M,T]	[B,M,T] - ISO M8 x 90mm long	0.344	*T52ACB [6,8,12] [B,M,T] /G	[B,M,T] - ISO M6 x 70mm long	0.344
*T52ACB [6,8,12] [P,S]	[P,S] - UNC 0.250-20 x 2.50 long	0.281	*T53ACB [12,16] [P,S] /G	[P,S] - UNC 0.312-18 x 3.50 long	0.281
*T52ACB [6,8,12] [B,M,T]	[B,M,T] - ISO M6 x 60mm long	0.265	*T53ACB [12,16] [B,M,T] /G	[B,M,T] - ISO M8 x 90mm long	0.265
*T53ACB [12,16] [P,S]	[P,S] - UNC 0.312-18 x 3.50 long	0.344	*T54ACB [20] [P,S] /G	[P,S] - UNC 0.312-18 x 4.50 long	0.344
*T53ACB [12,16] [B,M,T]	[B,M,T] - ISO M8 x 90mm long	0.344	*T54ACB [20] [B,M,T] /G	[B,M,T] - ISO M8 x 120mm long	0.344
*T54ACB [20] [P,S]	[P,S] - UNC 0.312-18 x 4.50 long	0.344	*T61ACB [4,6,8] [P,S] /G	[P,S] - UNC 10-24 x 2.50 long	0.344
*T54ACB [20] [B,M,T]	[B,M,T] - ISO M8 x 120mm long	0.344	*T61ACB [4,6,8] [B,M,T] /G	[B,M,T] - ISO M5 x 70mm long	0.344
*T61ACB [4,6,8] [P,S]	[P,S] - UNC 10-24 x 1.50 long	0.219	*T62ACB [6,8,12] [P,S] /G	[P,S] - UNC 0.250-20 x 2.75 long	0.219
*T61ACB [4,6,8] [B,M,T]	[B,M,T] - ISO M5 x 40mm long	0.219	*T62ACB [6,8,12] [B,M,T] /G	[B,M,T] - ISO M6 x 70mm long	0.219
*T62ACB [6,8,12] [P,S]	[P,S] - UNC 0.250-20 x 2.50 long	0.281	*T63ACB [12,16] [P,S] /G	[P,S] - UNC 0.312-18 x 2.75 long	0.281
*T62ACB [6,8,12] [B,M,T]	[B,M,T] - ISO M6 x 60mm long	0.265	*T63ACB [12,16] [B,M,T] /G	[B,M,T] - ISO M8 x 70mm long	0.265
*T63ACB [12,16] [P,S]	[P,S] - UNC 0.312-18 x 2.75 long	0.344	*T63ACB [20] [P,S] /G	[P,S] - UNC 0.312-18 x 3.50 long	0.344
*T63ACB [12,16] [B,M,T]	[B,M,T] - ISO M8 x 70mm long	0.344	*T63ACB [20] [B,M,T] /G	[B,M,T] - ISO M8 x 90mm long	0.344
*T63ACB [20] [P,S]	[P,S] - UNC 0.312-18 x 4.50 long	0.344	*T64ACB [16,20] [P,S] /G	[P,S] - UNC 0.312-18 x 3.50 long	0.344
*T63ACB [20] [B,M,T]	[B,M,T] - ISO M8 x 120mm long	0.344	*T64ACB [16,20] [B,M,T] /G	[B,M,T] - ISO M8 x 90mm long	0.344
*T64ACB [16,20] [P,S]	[P,S] - UNC 0.312-18 x 4.50 long	0.344	*T162ACB [8] [P,S] /G	[P,S] - UNC 10-24 x 2.00 long	0.344
*T64ACB [16,20] [B,M,T]	[B,M,T] - ISO M8 x 120mm long	0.344	*T162ACB [8] [B,M,T] /G	[B,M,T] - ISO M5 x 50mm long	0.344
*T162ACB [4,6,8] [P,S]	[P,S] - UNC 10-24 x 1.50 long	0.219	*T162ACB [4,6] [P,S] /G	[P,S] - UNC 10-24 x 2.25 long	0.219
*T162ACB [4,6,8] [B,M,T]	[B,M,T] - ISO M5 x 40mm long	0.219	*T162ACB [4,6] [B,M,T] /G	[B,M,T] - ISO M5 x 60mm long	0.219
*T163ACB [4,6,8] [P,S]	[P,S] - UNC 10-24 x 1.50 long	0.219	*T163ACB [4,6,8] [P,S] /G	[P,S] - UNC 10-24 x 2.00 long	0.219
*T163ACB [4,6,8] [B,M,T]	[B,M,T] - ISO M5 x 40mm long	0.219	*T163ACB [4,6,8] [B,M,T] /G	[B,M,T] - ISO M5 x 50mm long	0.219

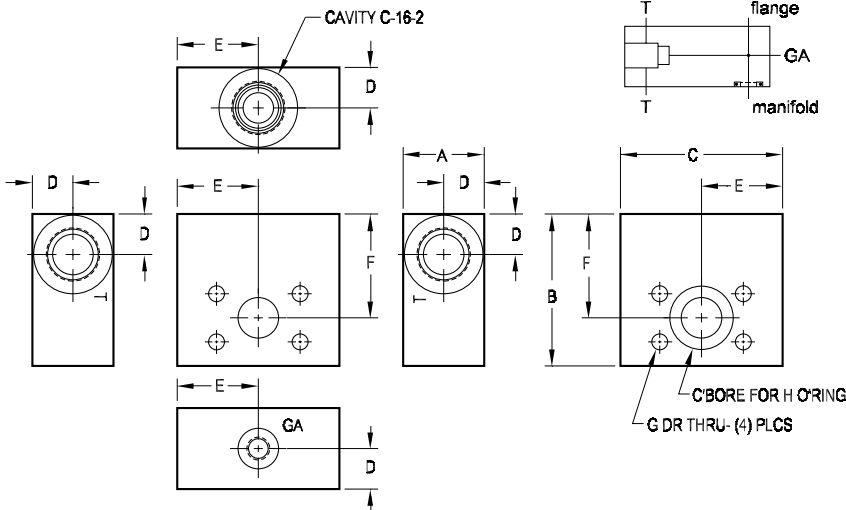
Common Cavity Bodies Mounting Hardware			Common Cavity Bodies Mounting Hardware (Gauge Ports)		
Part Number	Mounting Bolts	Mtg Hole Dia	Part Number (w/gauge port)	Mounting Bolts	Mtg Hole Dia
*C082CB [4,6,8] [P,S]	[P,S] - UNC 0.250-20 x 2.00 long	0.281	*C082CB [4,6,8] [P,S] /G	[P,S] - UNC 0.250-20 x 2.50 long	0.281
*C082CB [4,6,8] [B,M,T]	[B,M,T] - ISO M6 x 50mm long	0.265	*C082CB [4,6,8] [B,M,T] /G	[B,M,T] - ISO M6 x 65mm long	0.265
*C082CB [10] [S]	[S] - UNC 0.250-20 x 2.00 long	0.281	*C082CB [10] [S] /G	[S] - UNC 0.250-20 x 2.50 long	0.281
*C082CB [10] [M]	[M] - ISO M6 x 50mm long	0.265	*C082CB [10] [M] /G	[M] - ISO M6 x 65mm long	0.265
*C082CB [12,16] [P,S]	[P,S] - UNC 0.250-20 x 2.50 long	0.281	*C082CB [12,16] [P,S] /G	[P,S] - UNC 0.250-20 x 3.00 long	0.281
*C082CB [12,16] [B,M,T]	[B,M,T] - ISO M6 x 65mm long	0.265	*C082CB [12,16] [B,M,T] /G	[B,M,T] - ISO M6 x 75mm long	0.265
*C083CB [4,6,8] [P,S]	[P,S] - UNC 0.250-20 x 2.00 long	0.281	*C083CB [4,6,8] [P,S] /G	[P,S] - UNC 0.250-20 x 2.50 long	0.281
*C083CB [4,6,8] [B,M,T]	[B,M,T] - ISO M6 x 50mm long	0.265	*C083CB [4,6,8] [B,M,T] /G	[B,M,T] - ISO M6 x 65mm long	0.265
*C083CB [10] [S]	[S] - UNC 0.250-20 x 2.00 long	0.281	*C083CB [10] [S] /G	[S] - UNC 0.250-20 x 2.50 long	0.281
*C083CB [10] [M]	[M] - ISO M6 x 50mm long	0.265	*C083CB [10] [M] /G	[M] - ISO M6 x 65mm long	0.265
*C083CB [12,16] [P,S]	[P,S] - UNC 0.250-20 x 2.50 long	0.281	*C083CB [12,16] [P,S] /G	[P,S] - UNC 0.250-20 x 3.00 long	0.281
*C083CB [12,16] [B,M,T]	[B,M,T] - ISO M6 x 65mm long	0.265	*C083CB [12,16] [B,M,T] /G	[B,M,T] - ISO M6 x 75mm long	0.265
*C102CB [4,6,8] [P,S]	[P,S] - UNC 0.250-20 x 2.00 long	0.281	*C102CB [4,6,8] [P,S] /G	[P,S] - UNC 0.250-20 x 2.50 long	0.281
*C102CB [4,6,8] [B,M,T]	[B,M,T] - ISO M6 x 50mm long	0.265	*C102CB [4,6,8] [B,M,T] /G	[B,M,T] - ISO M6 x 65mm long	0.265
*C102CB [10] [S]	[S] - UNC 0.250-20 x 2.00 long	0.281	*C102CB [10] [S] /G	[S] - UNC 0.250-20 x 2.50 long	0.281
*C102CB [10] [M]	[M] - ISO M6 x 50mm long	0.265	*C102CB [10] [M] /G	[M] - ISO M6 x 65mm long	0.265
*C102CB [12,16] [P,S]	[P,S] - UNC 0.250-20 x 2.50 long	0.281	*C102CB [12,16] [P,S] /G	[P,S] - UNC 0.250-20 x 3.00 long	0.281
*C102CB [12,16] [B,M,T]	[B,M,T] - ISO M6 x 65mm long	0.265	*C102CB [12,16] [B,M,T] /G	[B,M,T] - ISO M6 x 75mm long	0.265
*C103CB [4,6,8] [P,S]	[P,S] - UNC 0.250-20 x 2.00 long	0.281	*C103CB [4,6,8] [P,S] /G	[P,S] - UNC 0.250-20 x 2.50 long	0.281
*C103CB [4,6,8] [B,M,T]	[B,M,T] - ISO M6 x 50mm long	0.265	*C103CB [4,6,8] [B,M,T] /G	[B,M,T] - ISO M6 x 65mm long	0.265
*C103CB [10] [S]	[S] - UNC 0.250-20 x 2.00 long	0.281	*C103CB [10] [S] /G	[S] - UNC 0.250-20 x 2.50 long	0.281
*C103CB [10] [M]	[M] - ISO M6 x 50mm long	0.265	*C103CB [10] [M] /G	[M] - ISO M6 x 65mm long	0.265
*C103CB [12,16] [P,S]	[P,S] - UNC 0.250-20 x 2.50 long	0.281	*C103CB [12,16] [P,S] /G	[P,S] - UNC 0.250-20 x 3.00 long	0.281
*C103CB [12,16] [B,M,T]	[B,M,T] - ISO M6 x 65mm long	0.265	*C103CB [12,16] [B,M,T] /G	[B,M,T] - ISO M6 x 75mm long	0.265
*C162CB [4,6,8] [P,S]	[P,S] - UNC 0.312-18 x 2.50 long	0.344	*C162CB [4,6,8] [P,S] /G	[P,S] - UNC 0.312-18 x 3.00 long	0.344
*C162CB [4,6,8] [B,M,T]	[B,M,T] - ISO M8 x 65mm long	0.344	*C162CB [4,6,8] [B,M,T] /G	[B,M,T] - ISO M8 x 75mm long	0.344
*C162CB [10] [S]	[S] - UNC 0.312-18 x 2.50 long	0.344	*C162CB [10] [S] /G	[S] - UNC 0.312-18 x 3.00 long	0.344
*C162CB [10] [M]	[M] - ISO M8 x 65mm long	0.344	*C162CB [10] [M] /G	[M] - ISO M8 x 75mm long	0.344
*C162CB [12,16] [P,S]	[P,S] - UNC 0.312-18 x 2.50 long	0.344	*C162CB [12,16] [P,S] /G	[P,S] - UNC 0.312-18 x 3.00 long	0.344
*C162CB [12,16] [B,M,T]	[B,M,T] - ISO M8 x 65mm long	0.344	*C162CB [12,16] [B,M,T] /G	[B,M,T] - ISO M8 x 75mm long	0.344
*C163CB [4,6,8] [P,S]	[P,S] - UNC 0.312-18 x 2.50 long	0.344	*C163CB [4,6,8] [P,S] /G	[P,S] - UNC 0.312-18 x 3.00 long	0.344
*C163CB [4,6,8] [B,M,T]	[B,M,T] - ISO M8 x 65mm long	0.344	*C163CB [4,6,8] [B,M,T] /G	[B,M,T] - ISO M8 x 75mm long	0.344
*C163CB [10] [S]	[S] - UNC 0.312-18 x 2.50 long	0.344	*C163CB [10] [S] /G	[S] - UNC 0.312-18 x 3.00 long	0.344
*C163CB [10] [M]	[M] - ISO M8 x 65mm long	0.344	*C163CB [10] [M] /G	[M] - ISO M8 x 75mm long	0.344
*C163CB [12,16] [P,S]	[P,S] - UNC 0.312-18 x 2.50 long	0.344	*C163CB [12,16] [P,S] /G	[P,S] - UNC 0.312-18 x 3.00 long	0.344
*C163CB [12,16] [B,M,T]	[B,M,T] - ISO M8 x 65mm long	0.344	*C163CB [12,16] [B,M,T] /G	[B,M,T] - ISO M8 x 75mm long	0.344

Flange Mount Bodies

Code 61 Flange Mount Bodies

Flange Mount Body with 2-port Cavity

Flange interface seal is supplied. See chart.
 Plug for GA Port (-6 SAE) is supplied.
 (4) mounting bolts are user supplied and must pass through flange and valve body to thread into customers flange interface.



PART NO.	A	B	C	D
*FMBC16212F6116S	2.00 [50.8]	3.50 [88.9]	4.00 [101.6]	1.00 [25.4]
*FMBC16216F6116S	2.00 [50.8]	3.75 [95.3]	4.00 [101.6]	1.00 [25.4]
*FMBC16220F6116S	2.00 [50.8]	4.25 [108.0]	4.00 [101.6]	1.00 [25.4]
*FMBC16224F6116S	2.00 [50.8]	4.63 [117.5]	4.00 [101.6]	1.00 [25.4]

PART NO.	E	F	G	H
*FMBC16212F6116S	2.00 [50.8]	2.44 [61.9]	0.41 [10.3]	-214
*FMBC16216F6116S	2.00 [50.8]	2.56 [65.1]	0.41 [10.3]	-219
*FMBC16220F6116S	2.00 [50.8]	2.75 [69.9]	0.47 [11.9]	-222
*FMBC16224F6116S	2.00 [50.8]	2.88 [73.0]	0.53 [13.5]	-225

Specifications, descriptions, and dimensional data are subject to correction or change without notice or incurring obligation. Download latest catalog page revisions at www.daman.com.

Ordering Information

For **coating options** see pages 245-246.

Material	Product Type	Cavity Type	Cavity Size	Flange Size	Flange Rating	Port Threads
----------	--------------	-------------	-------------	-------------	---------------	--------------

Material	
A	Aluminum - 6061-T6 3000† psi • 20.7 MPa
D	Ductile Iron - D4512 5000† psi • 34.5 MPa

† Working pressure should be considered in accordance with ISO 4413 to determine appropriate material type.

Cavity Type	
C	Industry Standard Common Cavity

Flange Size	
12F	ISO 6162 - DN19 Split Flange SAE Size 12 (0.75") Flange
16F	ISO 6162 - DN25 Split Flange SAE Size 16 (1.00") Flange
20F	ISO 6162 - DN32 Split Flange SAE Size 20 (1.25") Flange
24F	ISO 6162 - DN38 Split Flange SAE Size 24 (1.50") Flange

Port Threads	
16S	-16 SAE "T" Ports -6 SAE "GA" Port ISO 11926; SAE 1926

Product Type	
FMB	Flange Mount Body

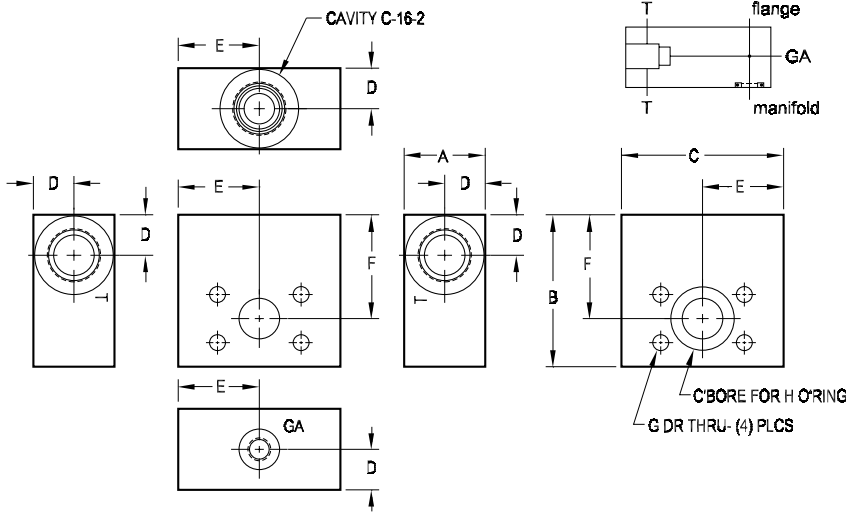
Cavity Size	
162	Cavity C-16-2

Flange Rating	
61	ISO 6162 - 2.5 to 35 MPa • SAE code 61

Code 62 Flange Mount Bodies

Flange Mount Body with 2-port Cavity

Flange interface seal is supplied. See chart.
Plug for GA Port (-6 SAE) is supplied.
 (4) mounting bolts are user supplied and must pass through flange and valve body to thread into customers flange interface.



PART NO.	A	B	C	D
*FMBC16216F6216S	2.00 [50.8]	4.13 [104.8]	4.00 [101.6]	1.00 [25.4]
*FMBC16220F6216S	2.00 [50.8]	4.38 [111.1]	4.00 [101.6]	1.00 [25.4]
*FMBC16224F6216S	2.00 [50.8]	4.88 [123.8]	4.50 [114.3]	1.00 [25.4]

PART NO.	E	F	G	H
*FMBC16216F6216S	2.00 [50.8]	2.69 [68.3]	0.47 [11.9]	-219
*FMBC16220F6216S	2.00 [50.8]	2.81 [71.4]	0.53 [13.5]	-222
*FMBC16224F6216S	2.25 [57.2]	2.97 [75.4]	0.66 [16.7]	-225

Specifications, descriptions, and dimensional data are subject to correction or change without notice or incurring obligation. Download latest catalog page revisions at www.daman.com.

Ordering Information

For **coating options** see pages 245-246.

Material	Product Type	Cavity Type	Cavity Size	Flange Size	Flange Rating	Port Threads																																				
<table border="1"> <thead> <tr> <th colspan="2">Material</th> </tr> </thead> <tbody> <tr> <td>A</td> <td>Aluminum - 6061-T6 3000† psi • 20.7 MPa</td> </tr> <tr> <td>D</td> <td>Ductile Iron - D4512 5000† psi • 34.5 MPa</td> </tr> <tr> <td colspan="2">† Working pressure should be considered in accordance with ISO 4413 to determine appropriate material type.</td> </tr> </tbody> </table>	Material		A	Aluminum - 6061-T6 3000† psi • 20.7 MPa	D	Ductile Iron - D4512 5000† psi • 34.5 MPa	† Working pressure should be considered in accordance with ISO 4413 to determine appropriate material type.		<table border="1"> <thead> <tr> <th colspan="2">Product Type</th> </tr> </thead> <tbody> <tr> <td>FMB</td> <td>Flange Mount Body</td> </tr> </tbody> </table>	Product Type		FMB	Flange Mount Body	<table border="1"> <thead> <tr> <th colspan="2">Cavity Type</th> </tr> </thead> <tbody> <tr> <td>C</td> <td>Industry Standard Common Cavity</td> </tr> </tbody> </table>	Cavity Type		C	Industry Standard Common Cavity	<table border="1"> <thead> <tr> <th colspan="2">Cavity Size</th> </tr> </thead> <tbody> <tr> <td>162</td> <td>Cavity C-16-2</td> </tr> </tbody> </table>	Cavity Size		162	Cavity C-16-2	<table border="1"> <thead> <tr> <th colspan="2">Flange Size</th> </tr> </thead> <tbody> <tr> <td>16F</td> <td>ISO 6162 - DN25 Split Flange SAE Size 16 (1.00") Flange</td> </tr> <tr> <td>20F</td> <td>ISO 6162 - DN32 Split Flange SAE Size 20 (1.25") Flange</td> </tr> <tr> <td>24F</td> <td>ISO 6162 - DN38 Split Flange SAE Size 24 (1.50") Flange</td> </tr> </tbody> </table>	Flange Size		16F	ISO 6162 - DN25 Split Flange SAE Size 16 (1.00") Flange	20F	ISO 6162 - DN32 Split Flange SAE Size 20 (1.25") Flange	24F	ISO 6162 - DN38 Split Flange SAE Size 24 (1.50") Flange	<table border="1"> <thead> <tr> <th colspan="2">Flange Rating</th> </tr> </thead> <tbody> <tr> <td>62</td> <td>ISO 6162 -40 MPa • SAE code 62</td> </tr> </tbody> </table>	Flange Rating		62	ISO 6162 -40 MPa • SAE code 62	<table border="1"> <thead> <tr> <th colspan="2">Port Threads</th> </tr> </thead> <tbody> <tr> <td>16S</td> <td>-16 SAE "T" Ports -6 SAE "GA" Port ISO 11926; SAE 1926</td> </tr> </tbody> </table>	Port Threads		16S	-16 SAE "T" Ports -6 SAE "GA" Port ISO 11926; SAE 1926
Material																																										
A	Aluminum - 6061-T6 3000† psi • 20.7 MPa																																									
D	Ductile Iron - D4512 5000† psi • 34.5 MPa																																									
† Working pressure should be considered in accordance with ISO 4413 to determine appropriate material type.																																										
Product Type																																										
FMB	Flange Mount Body																																									
Cavity Type																																										
C	Industry Standard Common Cavity																																									
Cavity Size																																										
162	Cavity C-16-2																																									
Flange Size																																										
16F	ISO 6162 - DN25 Split Flange SAE Size 16 (1.00") Flange																																									
20F	ISO 6162 - DN32 Split Flange SAE Size 20 (1.25") Flange																																									
24F	ISO 6162 - DN38 Split Flange SAE Size 24 (1.50") Flange																																									
Flange Rating																																										
62	ISO 6162 -40 MPa • SAE code 62																																									
Port Threads																																										
16S	-16 SAE "T" Ports -6 SAE "GA" Port ISO 11926; SAE 1926																																									

Standard Manifolds
 Cover Plates
 Valve Adaptors
 Subplates
 Servo Valve Subplates
 Tapping Plates
 Cartridge Valve Cavity Bodies
 Header and Junction Blocks
 Sandwich Modules
 Technical Information