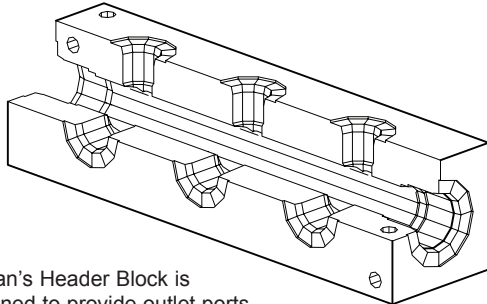


HEADER AND JUNCTION BLOCKS

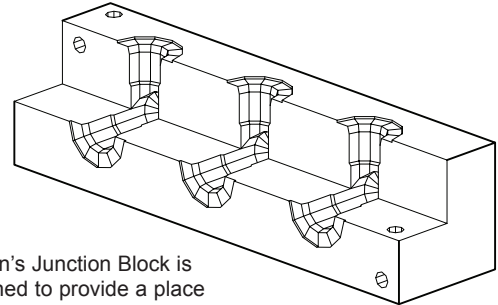
Header Manifolds - 0° Design	Pages 202-204
Header Manifolds - 90° Design	Pages 206-208
Header Manifolds - 180° Design	Pages 210-212
Junction Manifolds - 90° Design	Pages 214-216
Junction Manifolds - 180° Design	Pages 218-220
Junction Manifolds - 270° Design	Pages 222-224

Header Block



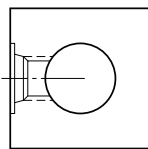
Daman's Header Block is designed to provide outlet ports that are common to one header (thru) port. The header port is always one size larger than the outlet ports.

Junction Block

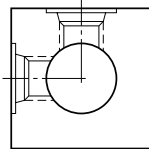


Daman's Junction Block is designed to provide a place to join piping and change direction or split / combine with other lines.

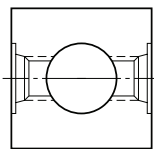
Available Header Block Configurations



0° design
See pages
202-204

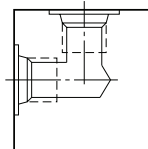


90° design
See pages
206-208

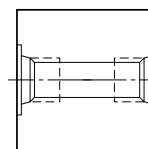


180° design
See pages
210-212

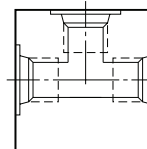
Available Junction Block Configurations



90° design
See pages
214-216



180° design
See pages
218-220



270° design
See pages
222-224

Header Block Mounting Hardware	Port Size	Mounting Bolts**	
	01P	(2) or (3) UNC #10-24 x 1.50 long SHCS	
	01T	M5 x 0.8 x 40mm long SHCS	
	02P	(2) or (3) UNC 0.25-20 x 2.00 long SHCS	
	02[B,T]	M6 x 1.0 x 50mm long SHCS	
	04*	06S	(2) or (3) UNC 0.25-20 x 2.25 long SHCS
		06M	M6 x 1.0 x 60mm long SHCS
	06/08P	(2) or (3) UNC 0.25-20 x 2.50 long SHCS	
	06/08[B,T]	M6 x 1.0 x 65mm long SHCS	
	08S	(2) or (3) UNC 0.25-20 x 2.75 long SHCS	
	08M	M6 x 1.0 x 70mm long SHCS	
	12*	(2) or (3) UNC 0.31-18 x 3.00 long SHCS M8 x 1.25 x 75mm long SHCS	
	16*	(2) or (3) UNC 0.38-16 x 3.50 long SHCS M10 x 1.50 x 90mm long SHCS	
	20*	(2) or (3) UNC 0.50-13 x 4.50 long SHCS M12 x 1.75 x 120mm long SHCS	
24P	(2) or (3) UNC 0.50-13 x 5.00 long SHCS		
24[B,T]	M12 x 1.75 x 130mm long SHCS		
24S	(2) or (3) UNC 0.50-13 x 5.50 long SHCS		
24M	M12 x 1.75 x 140mm long SHCS		

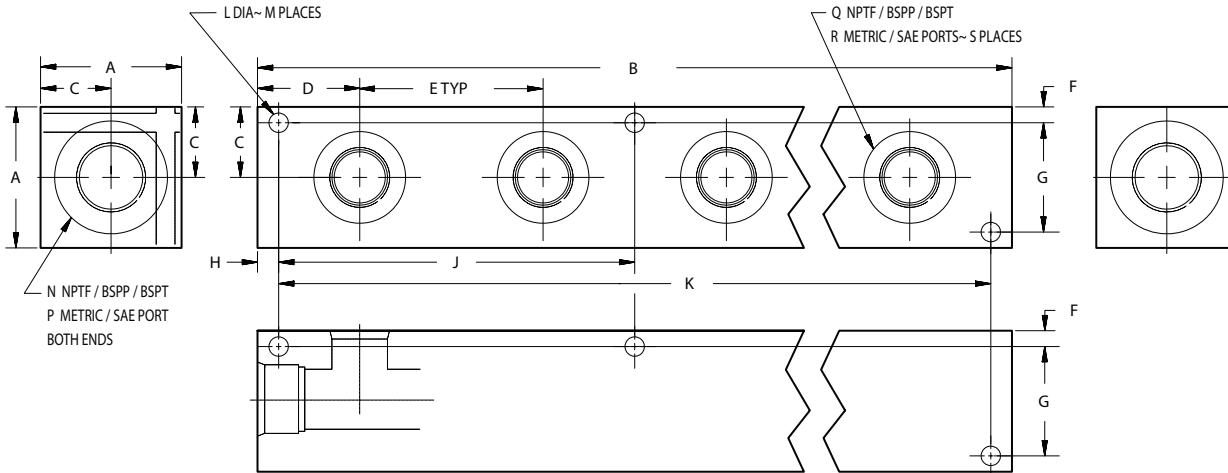
Junction Block Mounting Hardware	Port Size	Mounting Bolts**
	04*	(2) or (3) UNC 0.25-20 x 2.25 long SHCS M6 x 1.0 x 60mm long SHCS
	06*	(2) or (3) UNC 0.25-20 x 2.25 long SHCS M6 x 1.0 x 60mm long SHCS
	08*	(2) or (3) UNC 0.25-20 x 2.50 long SHCS M6 x 1.0 x 65mm long SHCS
	12*	(2) or (3) UNC 0.31-18 x 3.00 long SHCS M8 x 1.25 x 75mm long SHCS
	16*	(2) or (3) UNC 0.38-16 x 3.50 long SHCS M10 x 1.5 x 90mm long SHCS
	20*	(2) or (3) UNC 0.50-13 x 4.50 long SHCS M12 x 1.75 x 120mm long SHCS
	24*	(2) or (3) UNC 0.50-13 x 5.00 long SHCS M12 x 1.75 x 130mm long SHCS

*B,M,T come with metric bolts. P, S come with UNC bolts.

**Mounting bolts not included for stainless steel products.

Header Manifolds - 0° Design

Header block mounting hardware is supplied, except for stainless. See page 201 for itemized list.



Specifications, descriptions, and dimensional data are subject to correction or change without notice or incurring obligation. Download latest catalog page revisions at www.daman.com.

Ordering Information

Material	Product Type	Side Port Layout	No. of Stations	Side Port Threads
----------	--------------	------------------	-----------------	-------------------

For **coating options** see pages 245-246.

Material	
A	Aluminum - 6061-T6 3000 [†] psi • 20.7 MPa
D	Ductile Iron - D4512 5000 [†] psi • 34.5 MPa
S*	Stainless Steel - 17-4 5000 [†] psi • 34.5 MPa

[†] Working pressure should be considered in accordance with ISO 4413 to determine appropriate material type.

*All stainless steel products are passivated.

Side Port Layout	
000	Ports out one side only

No. of Stations	
01 thru 10	Check chart on next page to verify station-port size combinations

Product Type	
H	Header Block

Side Port Threads					
---	01P	01T	B = BSPP • ISO 1179, BS 2779 P = NPTF • ANSI B1.20.3 T = BSPT • ISO 7, BS 21	04M*	04S*
02B	02P	02T		06M*	06S*
04B*	04P*	04T*		08M*	08S*
06B	06P	06T		12M**	12S**
08B*	08P*	08T*		16M**	16S**
12B**	12P**	12T**		20M**	20S**
16B**	16P**	16T**		24M	24S
20B**	20P**	20T**		Check chart on next page to verify station-port size combinations	
24B	24P	24T			

* Available in Stainless Steel
** Available in Stainless Steel, 1-5 stations
Note: Pipe ports in stainless can gall.

Header Manifolds - 0° Design

PART NO.	A	B	C	D	E	F	G	H	J	K	L	M	N	P	Q	R	S
*H0000101[P,T]	1.25	2.00	0.63	1.00	1.25	0.17	0.91	0.31	--	1.38	0.22	4	1/8	--	1/16	--	1
*H0000201[P,T]		3.25							--	2.63		4					
*H0000301[P,T]		4.50							--	3.88		4					
*H0000401[P,T]		5.75							--	5.13		4					
*H0000501[P,T]		7.00							--	6.38		4					
*H0000601[P,T]		8.25							3.81	7.63		6					
*H0000701[P,T]		9.50							5.06	8.88		6					
*H0000801[P,T]		10.75							5.06	10.13		6					
*H0000901[P,T]		12.00							6.31	11.38		6					
*H0001001[P,T]		13.25							6.31	12.63		6					
*H0000102[B,P,T]	1.50	2.25	0.75	1.13	1.38	0.25	1.00	0.31	--	1.63	0.28	4	1/4	--	1/8	--	1
*H0000202[B,P,T]		3.63							--	3.00		4					
*H0000302[B,P,T]		5.00							--	4.38		4					
*H0000402[B,P,T]		6.38							--	5.75		4					
*H0000502[B,P,T]		7.75							4.25	7.13		6					
*H0000602[B,P,T]		9.13							4.25	8.50		6					
*H0000702[B,P,T]		10.50							5.63	9.88		6					
*H0000802[B,P,T]		11.88							5.63	11.25		6					
*H0000902[B,P,T]		13.25							7.00	12.63		6					
*H0001002[B,P,T]		14.63							7.00	14.00		6					
H0000104	1.75	2.13	0.88	1.06	1.75	0.25	1.25	0.31	--	1.50	0.28	4	3/8	-6 or M14x1.5	1/4	-4 or M10x1.0	1
H0000204		3.88							--	3.25		4					
H0000304		5.63							--	5.00		4					
H0000404		7.38							--	6.75		4					
H0000504		9.13							5.13	8.50		6					
H0000604		10.88							5.13	10.25		6					
H0000704		12.63							6.88	12.00		6					
H0000804		14.38							6.88	13.75		6					
H0000904		16.13							8.63	15.50		6					
H0001004		17.88							8.63	17.25		6					
*H0000106[B,P,T]	2.00	3.00	1.00	1.50	2.00	0.25	1.50	0.31	--	2.38	0.28	4	1/2	--	3/8	--	1
*H0000206[B,P,T]		5.00							--	4.38		4					
*H0000306[B,P,T]		7.00							--	6.38		4					
*H0000406[B,P,T]		9.00							--	8.38		4					
*H0000506[B,P,T]		11.00							6.19	10.38		6					
*H0000606[B,P,T]		13.00							6.19	12.38		6					
*H0000706[B,P,T]		15.00							8.19	14.38		6					
*H0000806[B,P,T]		17.00							8.19	16.38		6					
*H0000906[B,P,T]		19.00							10.19	18.38		6					
*H0001006[B,P,T]		21.00							10.19	20.38		6					
*H0000106[M,S]	1.75	3.00	0.88	1.50	2.00	0.25	1.25	0.31	--	2.38	0.28	4	--	-8 or M18x1.5	--	-6 or M14x1.5	1
*H0000206[M,S]		5.00							--	4.38		4					
*H0000306[M,S]		7.00							--	6.38		4					
*H0000406[M,S]		9.00							--	8.38		4					
*H0000506[M,S]		11.00							6.19	10.38		6					
*H0000606[M,S]		13.00							6.19	12.38		6					
*H0000706[M,S]		15.00							8.19	14.38		6					
*H0000806[M,S]		17.00							8.19	16.38		6					
*H0000906[M,S]		19.00							10.19	18.38		6					
*H0001006[M,S]		21.00							10.19	20.38		6					
*H0000108[B,P,T]	2.00	3.00	1.00	1.50	2.38	0.25	1.50	0.31	--	2.38	0.28	4	3/4	--	1/2	--	1
*H0000208[B,P,T]		5.38							--	4.75		4					
*H0000308[B,P,T]		7.75							--	7.13		4					
*H0000408[B,P,T]		10.13							--	9.50		4					
*H0000508[B,P,T]		12.50							7.13	11.88		6					
*H0000608[B,P,T]		14.88							7.13	14.25		6					
*H0000708[B,P,T]		17.25							9.50	16.63		6					
*H0000808[B,P,T]		19.63							9.50	19.00		6					
*H0000908[B,P,T]		22.00							11.88	21.38		6					
*H0001008[B,P,T]		24.38							11.88	23.75		6					

Chart continued on next page

Custom Products
 Standard Manifolds
 Cover Plates
 Valve Adaptors
 Subplates
 Servo Valve Subplates
 Tapping Plates
 Cartridge Valve Cavity Bodies
 Header and Junction Blocks
 Technical Information

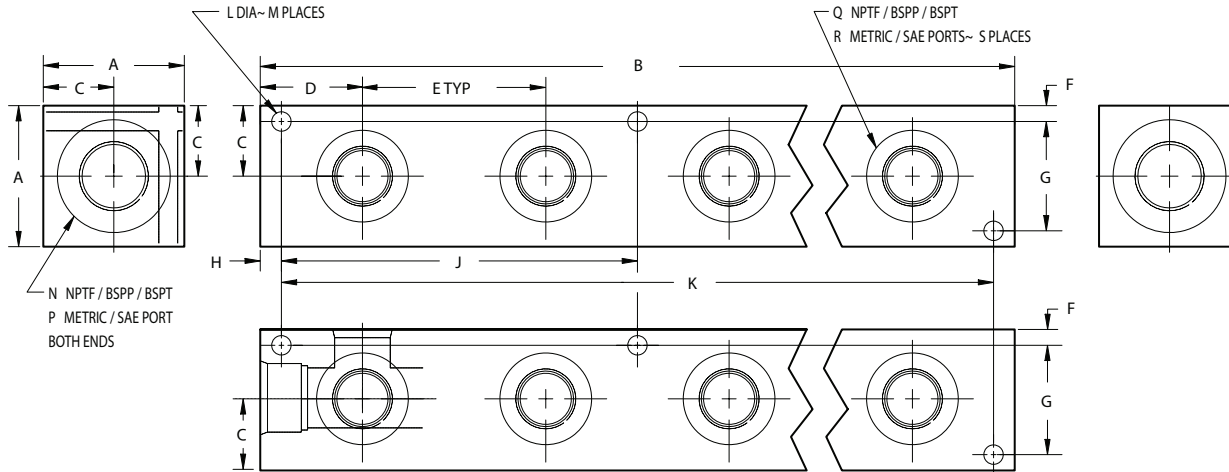
Header Manifolds - 0° Design (cont)

PART NO.	A	B	C	D	E	F	G	H	J	K	L	M	N	P	Q	R	S
*H0000108[M,S]		3.00							--	2.38		4					1
*H0000208[M,S]		5.38							--	4.75		4					2
*H0000308[M,S]		7.75							--	7.13		4					3
*H0000408[M,S]		10.13							--	9.50		4					4
*H0000508[M,S]	2.25	12.50	1.13	1.50	2.38	0.25	1.75	0.31	7.13	11.88	0.28	6	--	-12 or M27x2.0	--	-8 or M18x1.5	5
*H0000608[M,S]		14.88							7.13	14.25		6					6
*H0000708[M,S]		17.25							9.50	16.63		6					7
*H0000808[M,S]		19.63							9.50	19.00		6					8
*H0000908[M,S]		22.00							11.88	21.38		6					9
*H0001008[M,S]		24.38							11.88	23.75		6					10
H0000112		3.63							--	2.88		4					1
H0000212		6.88							--	6.13		4					2
H0000312		10.13							--	9.38		4					3
H0000412		13.38							--	12.63		4					4
H0000512	2.50	16.63	1.25	1.81	3.25	0.28	1.94	0.38	9.56	15.88	0.34	6	1"	-16 or M33x2.0	3/4	-12 or M27x2.0	5
H0000612		19.88							9.56	19.13		6					6
H0000712		23.13							12.81	22.38		6					7
H0000812		26.38							12.81	25.63		6					8
H0000912		29.63							16.06	28.88		6					9
H0001012		32.88							16.06	32.13		6					10
H0000116		4.00							--	3.25		4					1
H0000216		7.75							--	7.00		4					2
H0000316		11.50							--	10.75		4					3
H0000416		15.25							--	14.50		4					4
H0000516	3.00	19.00	1.50	2.00	3.75	0.34	2.31	0.38	11.00	18.25		6	1-1/4	-20 or M42x2.0	1"	-16 or M33x2.0	5
H0000616		22.75							11.00	22.00		6					6
H0000716		26.50							14.75	25.75		6					7
H0000816		30.25							14.75	29.50		6					8
H0000916		34.00							18.50	33.25		6					9
H0001016		37.75							18.50	37.00		6					10
H0000120		4.50							--	3.50		4					1
H0000220		8.50							--	7.50		4					2
H0000320		12.50							--	11.50		4					3
H0000420		16.50							--	15.50		4					4
H0000520	3.50	20.50	1.75	2.25	4.00	0.41	2.69	0.50	11.75	19.50	0.53	6	1-1/2	-24 or M48x2.0	1-1/4	-20 or M42x2.0	5
H0000620		24.50							11.75	23.50		6					6
H0000720		28.50							15.75	27.50		6					7
H0000820		32.50							15.75	31.50		6					8
H0000920		36.50							19.75	35.50		6					9
H0001020		40.50							19.75	39.50		6					10
*H0000124[B,P,T]		5.00							--	4.00		4					1
*H0000224[B,P,T]		10.00							--	9.00		4					2
*H0000324[B,P,T]		15.00							--	14.00		4					3
*H0000424[B,P,T]		20.00							9.50	19.00		6					4
*H0000524[B,P,T]	4.00	25.00	2.00	2.50	5.00	0.41	3.19	0.50	14.50	24.00	0.53	6	2"	--	1-1/2	--	5
*H0000624[B,P,T]		30.00							14.50	29.00		6					6
*H0000724[B,P,T]		35.00							19.50	34.00		6					7
*H0000824[B,P,T]		40.00							19.50	39.00		6					8
*H0000924[B,P,T]		45.00							24.50	44.00		6					9
*H0001024[B,P,T]		50.00							24.50	49.00		6					10
*H0000124[M,S]		5.00							--	4.00		4					1
*H0000224[M,S]		10.00							--	9.00		4					2
*H0000324[M,S]		15.00							--	14.00		4					3
*H0000424[M,S]		20.00							9.50	19.00		6					4
*H0000524[M,S]	4.50	25.00	2.25	2.50	5.00	0.41	3.69	0.50	14.50	24.00	0.53	6	--	-32 or M60x2.0	--	-24 or M48x2.0	5
*H0000624[M,S]		30.00							14.50	29.00		6					6
*H0000724[M,S]		35.00							19.50	34.00		6					7
*H0000824[M,S]		40.00							19.50	39.00		6					8
*H0000924[M,S]		45.00							24.50	44.00		6					9
*H0001024[M,S]		50.00							24.50	49.00		6					10

Header Manifolds - 90° 

Header Manifolds - 90° Design

Header block mounting hardware is supplied, except for stainless. See page 201 for itemized list.



Specifications, descriptions, and dimensional data are subject to correction or change without notice or incurring obligation. Download latest catalog page revisions at www.daman.com.

Ordering Information

Material	Product Type	Side Port Layout	No. of Stations	Side Port Threads
----------	--------------	------------------	-----------------	-------------------

For **coating options** see pages 245-246.

Material	
A	Aluminum - 6061-T6 3000 [†] psi • 20.7 MPa
D	Ductile Iron - D4512 5000 [†] psi • 34.5 MPa
S*	Stainless Steel - 17-4 5000 [†] psi • 34.5 MPa

[†] Working pressure should be considered in accordance with ISO 4413 to determine appropriate material type.

*All stainless steel products are passivated.

Side Port Layout	
090	Ports out two adjacent sides

No. of Stations	
01 thru 10	Check chart on next page to verify station-port size combinations

Product Type	
H	Header Block

Side Port Threads					
04B*	04P*	04T*	04M*	04S*	M = METRIC • ISO 6149 S = SAE • ISO 11926, SAE 1926
06B	06P	06T	06M*	06S*	
08B*	08P*	08T*	08M*	08S*	
12B**	12P**	12T**	12M**	12S**	
16B**	16P**	16T**	16M**	16S**	
20B**	20P**	20T**	20M**	20S**	
24B	24P	24T	24M	24S	

Check chart on next page to verify station-port size combinations

* Available in Stainless Steel
** Available in Stainless Steel, 1-5 stations
Note: Pipe ports in stainless can gall.

Header Manifolds - 90° Design

PART NO.	A	B	C	D	E	F	G	H	J	K	L	M	N	P	Q	R	S
H0900104		2.13							--	1.50		4					2
H0900204		3.88							--	3.25		4					4
H0900304		5.63							--	5.00		4					6
H0900404		7.38							--	6.75		4					8
H0900504	1.75	9.13	0.88	1.06	1.75	0.25	1.25	0.31	5.13	8.50	0.28	6	3/8	-6 or M14x1.5	1/4	-4 or M10x1.0	10
H0900604		10.88							5.13	10.25		6					12
H0900704		12.63							6.88	12.00		6					14
H0900804		14.38							6.88	13.75		6					16
H0900904		16.13							8.63	15.50		6					18
H0901004		17.88							8.63	17.25		6					20
*H0900106[B,P,T]		3.00							--	2.38		4					2
*H0900206[B,P,T]		5.00							--	4.38		4					4
*H0900306[B,P,T]		7.00							--	6.38		4					6
*H0900406[B,P,T]		9.00							--	8.38		4					8
*H0900506[B,P,T]	2.00	11.00	1.00	1.50	2.00	0.25	1.50	0.31	6.19	10.38	0.28	6	1/2	--	3/8	--	10
*H0900606[B,P,T]		13.00							6.19	12.38		6					12
*H0900706[B,P,T]		15.00							8.19	14.38		6					14
*H0900806[B,P,T]		17.00							8.19	16.38		6					16
*H0900906[B,P,T]		19.00							10.19	18.38		6					18
*H0901006[B,P,T]		21.00							10.19	20.38		6					20
*H0900106[M,S]		3.00							--	2.38		4					2
*H0900206[M,S]		5.00							--	4.38		4					4
*H0900306[M,S]		7.00							--	6.38		4					6
*H0900406[M,S]		9.00							--	8.38		4					8
*H0900506[M,S]	1.75	11.00	0.88	1.50	2.00	0.25	1.25	0.31	6.19	10.38	0.28	6	--	-8 or M18x1.5	--	-6 or M14x1.5	10
*H0900606[M,S]		13.00							6.19	12.38		6					12
*H0900706[M,S]		15.00							8.19	14.38		6					14
*H0900806[M,S]		17.00							8.19	16.38		6					16
*H0900906[M,S]		19.00							10.19	18.38		6					18
*H0901006[M,S]		21.00							10.19	20.38		6					20
*H0900108[B,P,T]		3.00							--	2.38		4					2
*H0900208[B,P,T]		5.38							--	4.75		4					4
*H0900308[B,P,T]		7.75							--	7.13		4					6
*H0900408[B,P,T]		10.13							--	9.50		4					8
*H0900508[B,P,T]	2.00	12.50	1.00	1.50	2.38	0.25	1.50	0.31	7.13	11.88	0.28	6	3/4	--	1/2	--	10
*H0900608[B,P,T]		14.88							7.13	14.25		6					12
*H0900708[B,P,T]		17.25							9.50	16.63		6					14
*H0900808[B,P,T]		19.63							9.50	19.00		6					16
*H0900908[B,P,T]		22.00							11.88	21.38		6					18
*H0901008[B,P,T]		24.38							11.88	23.75		6					20
*H0900108[M,S]		3.00							--	2.38		4					2
*H0900208[M,S]		5.38							--	4.75		4					4
*H0900308[M,S]		7.75							--	7.13		4					6
*H0900408[M,S]		10.13							--	9.50		4					8
*H0900508[M,S]	2.25	12.50	1.13	1.50	2.38	0.25	1.75	0.31	7.13	11.88	0.28	6	--	-12 or M27x2.0	--	-8 or M18x1.5	10
*H0900608[M,S]		14.88							7.13	14.25		6					12
*H0900708[M,S]		17.25							9.50	16.63		6					14
*H0900808[M,S]		19.63							9.50	19.00		6					16
*H0900908[M,S]		22.00							11.88	21.38		6					18
*H0901008[M,S]		24.38							11.88	23.75		6					20
H0900112		3.63							--	2.88		4					2
H0900212		6.88							--	6.13		4					4
H0900312		10.13							--	9.38		4					6
H0900412		13.38							--	12.63		4					8
H0900512	2.50	16.63	1.25	1.81	3.25	0.28	1.94	0.38	9.56	15.88	0.34	6	1"	-16 or M33x2.0	3/4	-12 or M27x2.0	10
H0900612		19.88							9.56	19.13		6					12
H0900712		23.13							12.81	22.38		6					14
H0900812		26.38							12.81	25.63		6					16
H0900912		29.63							16.06	28.88		6					18
H0901012		32.88							16.06	32.13		6					20

Chart continued on next page

Custom Products
 Standard Manifolds
 Cover Plates
 Valve Adaptors
 Subplates
 Servo Valve Subplates
 Tapping Plates
 Cartridge Valve Cavity Bodies
 Header and Junction Blocks
 Technical Information

Header Manifolds - 90° Design (cont)

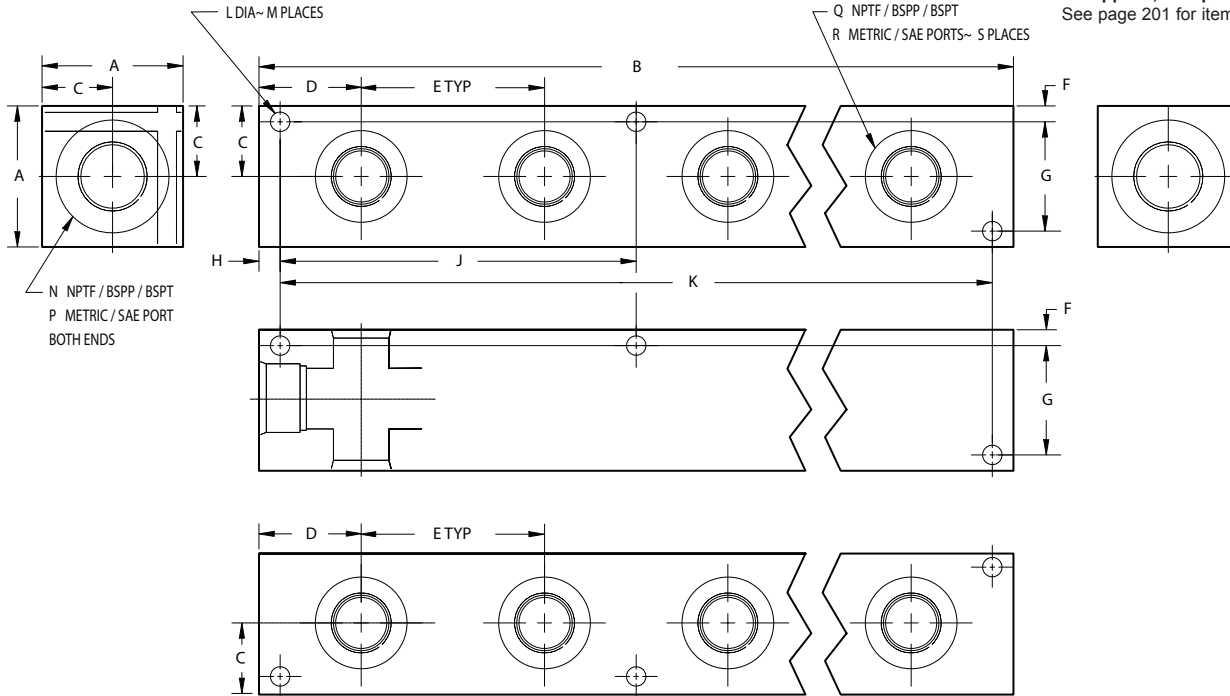
PART NO.	A	B	C	D	E	F	G	H	J	K	L	M	N	P	Q	R	S
H0900116		4.00							--	3.25		4					2
H0900216		7.75							--	7.00		4					4
H0900316		11.50							--	10.75		4					6
H0900416		15.25							--	14.50		4					8
H0900516	3.00	19.00	1.50	2.00	3.75	0.34	2.31	0.38	11.00	18.25		6	1-1/4	-20 or M42x2.0	1"	-16 or M33x2.0	10
H0900616		22.75							11.00	22.00		6					12
H0900716		26.50							14.75	25.75		6					14
H0900816		30.25							14.75	29.50		6					16
H0900916		34.00							18.50	33.25		6					18
H0901016		37.75							18.50	37.00		6					20
B.M, T ports = 0.41 P,S ports = 0.42																	
H0900120		4.50							--	3.50		4					2
H0900220		8.50							--	7.50		4					4
H0900320		12.50							--	11.50		4					6
H0900420		16.50							--	15.50		4					8
H0900520	3.50	20.50	1.75	2.25	4.00	0.41	2.69	0.50	11.75	19.50		6	1-1/2	-24 or M48x2.0	1-1/4	-20 or M42x2.0	10
H0900620		24.50							11.75	23.50	0.53	6					12
H0900720		28.50							15.75	27.50		6					14
H0900820		32.50							15.75	31.50		6					16
H0900920		36.50							19.75	35.50		6					18
H0901020		40.50							19.75	39.50		6					20
*H0900124[B,P,T]		5.00							--	4.00		4					2
*H0900224[B,P,T]		10.00							--	9.00		4					4
*H0900324[B,P,T]		15.00							--	14.00		4					6
*H0900424[B,P,T]		20.00							9.50	19.00		6					8
*H0900524[B,P,T]	4.00	25.00	2.00	2.50	5.00	0.41	3.19	0.50	14.50	24.00		6	2"	--	1-1/2	--	10
*H0900624[B,P,T]		30.00							14.50	29.00	0.53	6					12
*H0900724[B,P,T]		35.00							19.50	34.00		6					14
*H0900824[B,P,T]		40.00							19.50	39.00		6					16
*H0900924[B,P,T]		45.00							24.50	44.00		6					18
*H0901024[B,P,T]		50.00							24.50	49.00		6					20
*H0900124[M,S]		5.00							--	4.00		4					2
*H0900224[M,S]		10.00							--	9.00		4					4
*H0900324[M,S]		15.00							--	14.00		4					6
*H0900424[M,S]		20.00							9.50	19.00		6					8
*H0900524[M,S]	4.50	25.00	2.25	2.50	5.00	0.41	3.69	0.50	14.50	24.00		6	--	-32 or M60x2.0	---	-24 or M48x2.0	10
*H0900624[M,S]		30.00							14.50	29.00	0.53	6					12
*H0900724[M,S]		35.00							19.50	34.00		6					14
*H0900824[M,S]		40.00							19.50	39.00		6					16
*H0900924[M,S]		45.00							24.50	44.00		6					18
*H0901024[M,S]		50.00							24.50	49.00		6					20

Header Manifolds - 180°

Custom Products
Standard Manifolds
Cover Plates
Valve Adaptors
Subplates
Servo Valve Subplates
Tapping Plates
Cartridge Valve Cavity Bodies
Header and Junction Blocks
Technical Information

Header Manifolds - 180° Design

Header block mounting hardware is supplied, except for stainless. See page 201 for itemized list.



Specifications, descriptions, and dimensional data are subject to correction or change without notice or incurring obligation. Download latest catalog page revisions at www.daman.com.

Ordering Information

Material	Product Type	Side Port Layout	No. of Stations	Side Port Threads																																																																									
<table border="1"> <thead> <tr> <th colspan="2">Material</th> </tr> </thead> <tbody> <tr> <td>A</td> <td>Aluminum - 6061-T6 3000† psi • 20.7 MPa</td> </tr> <tr> <td>D</td> <td>Ductile Iron - D4512 5000† psi • 34.5 MPa</td> </tr> <tr> <td>S*</td> <td>Stainless Steel - 17-4 5000† psi • 34.5 MPa</td> </tr> <tr> <td colspan="2">† Working pressure should be considered in accordance with ISO 4413 to determine appropriate material type.</td> </tr> <tr> <td colspan="2">*All stainless steel products are passivated.</td> </tr> </tbody> </table>	Material		A	Aluminum - 6061-T6 3000† psi • 20.7 MPa	D	Ductile Iron - D4512 5000† psi • 34.5 MPa	S*	Stainless Steel - 17-4 5000† psi • 34.5 MPa	† Working pressure should be considered in accordance with ISO 4413 to determine appropriate material type.		*All stainless steel products are passivated.		<table border="1"> <thead> <tr> <th colspan="2">Product Type</th> </tr> </thead> <tbody> <tr> <td>H</td> <td>Header Block</td> </tr> </tbody> </table>	Product Type		H	Header Block	<table border="1"> <thead> <tr> <th colspan="2">Side Port Layout</th> </tr> </thead> <tbody> <tr> <td>180</td> <td>Ports out two opposite sides</td> </tr> </tbody> </table>	Side Port Layout		180	Ports out two opposite sides	<table border="1"> <thead> <tr> <th colspan="2">No. of Stations</th> </tr> </thead> <tbody> <tr> <td>01 thru 10</td> <td>Check chart on next page to verify station-port size combinations</td> </tr> </tbody> </table>	No. of Stations		01 thru 10	Check chart on next page to verify station-port size combinations	<table border="1"> <thead> <tr> <th colspan="6">Side Port Threads</th> </tr> </thead> <tbody> <tr> <td>04B*</td> <td>04P*</td> <td>04T*</td> <td rowspan="2">B = BSPP • ISO 1179, BS 2779 P = NPTF • ANSI B1.20.3 T = BSPT • ISO 7, BS 21</td> <td>04M*</td> <td>04S*</td> </tr> <tr> <td>06B</td> <td>06P</td> <td>06T</td> <td>06M*</td> <td>06S*</td> </tr> <tr> <td>08B*</td> <td>08P*</td> <td>08T*</td> <td rowspan="2">M = METRIC • ISO 6149 S = SAE • ISO 11926, SAE 1926</td> <td>08M*</td> <td>08S*</td> </tr> <tr> <td>12B**</td> <td>12P**</td> <td>12T**</td> <td>12M**</td> <td>12S**</td> </tr> <tr> <td>16B**</td> <td>16P**</td> <td>16T**</td> <td>16M**</td> <td>16S**</td> </tr> <tr> <td>20B**</td> <td>20P**</td> <td>20T**</td> <td>20M**</td> <td>20S**</td> </tr> <tr> <td>24B</td> <td>24P</td> <td>24T</td> <td>24M</td> <td>24S</td> </tr> <tr> <td colspan="6">Check chart on next page to verify station-port size combinations</td> </tr> </tbody> </table>	Side Port Threads						04B*	04P*	04T*	B = BSPP • ISO 1179, BS 2779 P = NPTF • ANSI B1.20.3 T = BSPT • ISO 7, BS 21	04M*	04S*	06B	06P	06T	06M*	06S*	08B*	08P*	08T*	M = METRIC • ISO 6149 S = SAE • ISO 11926, SAE 1926	08M*	08S*	12B**	12P**	12T**	12M**	12S**	16B**	16P**	16T**	16M**	16S**	20B**	20P**	20T**	20M**	20S**	24B	24P	24T	24M	24S	Check chart on next page to verify station-port size combinations					
Material																																																																													
A	Aluminum - 6061-T6 3000† psi • 20.7 MPa																																																																												
D	Ductile Iron - D4512 5000† psi • 34.5 MPa																																																																												
S*	Stainless Steel - 17-4 5000† psi • 34.5 MPa																																																																												
† Working pressure should be considered in accordance with ISO 4413 to determine appropriate material type.																																																																													
*All stainless steel products are passivated.																																																																													
Product Type																																																																													
H	Header Block																																																																												
Side Port Layout																																																																													
180	Ports out two opposite sides																																																																												
No. of Stations																																																																													
01 thru 10	Check chart on next page to verify station-port size combinations																																																																												
Side Port Threads																																																																													
04B*	04P*	04T*	B = BSPP • ISO 1179, BS 2779 P = NPTF • ANSI B1.20.3 T = BSPT • ISO 7, BS 21	04M*	04S*																																																																								
06B	06P	06T		06M*	06S*																																																																								
08B*	08P*	08T*	M = METRIC • ISO 6149 S = SAE • ISO 11926, SAE 1926	08M*	08S*																																																																								
12B**	12P**	12T**		12M**	12S**																																																																								
16B**	16P**	16T**	16M**	16S**																																																																									
20B**	20P**	20T**	20M**	20S**																																																																									
24B	24P	24T	24M	24S																																																																									
Check chart on next page to verify station-port size combinations																																																																													

For **coating options** see pages 245-246.

* Available in Stainless Steel
** Available in Stainless Steel, 1-5 stations
Note: Pipe ports in stainless can gall.

Header Manifolds - 180° Design

PART NO.	A	B	C	D	E	F	G	H	J	K	L	M	N	P	Q	R	S
H1800104		2.13							--	1.50		4					2
H1800204		3.88							--	3.25		4					4
H1800304		5.63							--	5.00		4					6
H1800404		7.38							--	6.75		4					8
H1800504		9.13							5.13	8.50		6					10
H1800604	1.75	10.88	0.88	1.06	1.75	0.25	1.25	0.31	5.13	10.25	0.28	6	3/8	-6 or M14x1.5	1/4	-4 or M10x1.0	12
H1800704		12.63							6.88	12.00		6					14
H1800804		14.38							6.88	13.75		6					16
H1800904		16.13							8.63	15.50		6					18
H1801004		17.88							8.63	17.25		6					20
*H1800106[B,P,T]		3.00							--	2.38		4					2
*H1800206[B,P,T]		5.00							--	4.38		4					4
*H1800306[B,P,T]		7.00							--	6.38		4					6
*H1800406[B,P,T]		9.00							--	8.38		4					8
*H1800506[B,P,T]	2.00	11.00	1.00	1.50	2.00	0.25	1.50	0.31	6.19	10.38	0.28	6	1/2	--	3/8	--	10
*H1800606[B,P,T]		13.00							6.19	12.38		6					12
*H1800706[B,P,T]		15.00							8.19	14.38		6					14
*H1800806[B,P,T]		17.00							8.19	16.38		6					16
*H1800906[B,P,T]		19.00							10.19	18.38		6					18
*H1801006[B,P,T]		21.00							10.19	20.38		6					20
*H1800106[M,S]		3.00							--	2.38		4					2
*H1800206[M,S]		5.00							--	4.38		4					4
*H1800306[M,S]		7.00							--	6.38		4					6
*H1800406[M,S]		9.00							--	8.38		4					8
*H1800506[M,S]	1.75	11.00	0.88	1.50	2.00	0.25	1.25	0.31	6.19	10.38	0.28	6	--	-8 or M18x1.5	--	-6 or M14x1.5	10
*H1800606[M,S]		13.00							6.19	12.38		6					12
*H1800706[M,S]		15.00							8.19	14.38		6					14
*H1800806[M,S]		17.00							8.19	16.38		6					16
*H1800906[M,S]		19.00							10.19	18.38		6					18
*H1801006[M,S]		21.00							10.19	20.38		6					20
*H1800108[B,P,T]		3.00							--	2.38		4					2
*H1800208[B,P,T]		5.38							--	4.75		4					4
*H1800308[B,P,T]		7.75							--	7.13		4					6
*H1800408[B,P,T]		10.13							--	9.50		4					8
*H1800508[B,P,T]	2.00	12.50	1.00	1.50	2.38	0.25	1.50	0.31	7.13	11.88	0.28	6	3/4	--	1/2	--	10
*H1800608[B,P,T]		14.88							7.13	14.25		6					12
*H1800708[B,P,T]		17.25							9.50	16.63		6					14
*H1800808[B,P,T]		19.63							9.50	19.00		6					16
*H1800908[B,P,T]		22.00							11.88	21.38		6					18
*H1801008[B,P,T]		24.38							11.88	23.75		6					20
*H1800108[M,S]		3.00							--	2.38		4					2
*H1800208[M,S]		5.38							--	4.75		4					4
*H1800308[M,S]		7.75							--	7.13		4					6
*H1800408[M,S]		10.13							--	9.50		4					8
*H1800508[M,S]	2.25	12.50	1.13	1.50	2.38	0.25	1.75	0.31	7.13	11.88	0.28	6	--	-12 or M27x2.0	--	-8 or M18x1.5	10
*H1800608[M,S]		14.88							7.13	14.25		6					12
*H1800708[M,S]		17.25							9.50	16.63		6					14
*H1800808[M,S]		19.63							9.50	19.00		6					16
*H1800908[M,S]		22.00							11.88	21.38		6					18
*H1801008[M,S]		24.38							11.88	23.75		6					20
H1800112		3.63							--	2.88		4					2
H1800212		6.88							--	6.13		4					4
H1800312		10.13							--	9.38		4					6
H1800412		13.38							--	12.63		4					8
H1800512	2.50	16.63	1.25	1.81	3.25	0.28	1.94	0.38	9.56	15.88	0.34	6	1"	-16 or M33x2.0	3/4	-12 or M27x2.0	10
H1800612		19.88							9.56	19.13		6					12
H1800712		23.13							12.81	22.38		6					14
H1800812		26.38							12.81	25.63		6					16
H1800912		29.63							16.06	28.88		6					18
H1801012		32.88							16.06	32.13		6					20

Chart continued on next page

Custom Products
 Standard Manifolds
 Cover Plates
 Valve Adaptors
 Subplates
 Servo Valve Subplates
 Tapping Plates
 Cartridge Valve Cavity Bodies
 Header and Junction Blocks
 Technical Information

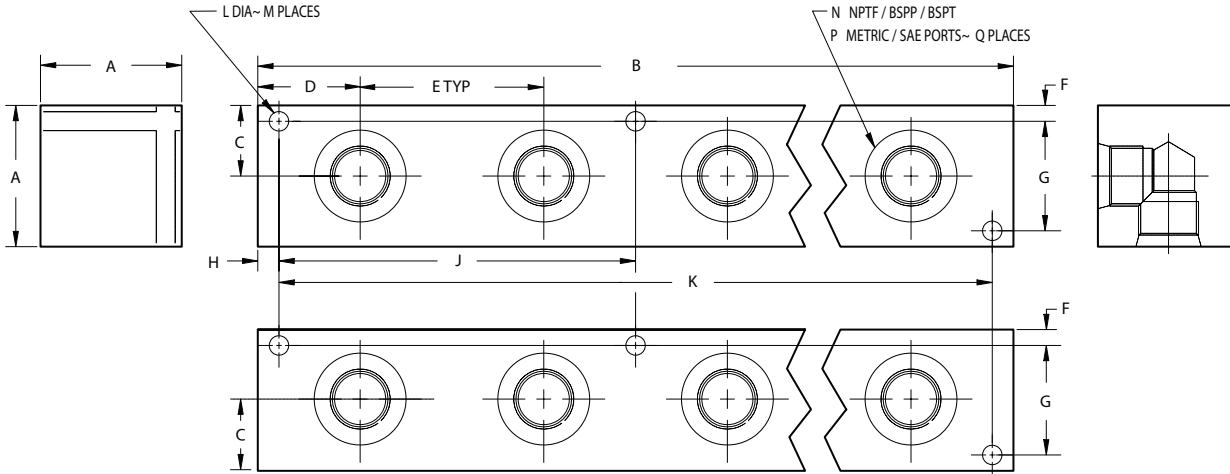
Header Manifolds - 180° Design (cont)

PART NO.	A	B	C	D	E	F	G	H	J	K	L	M	N	P	Q	R	S
H1800116		4.00							--	3.25		4					2
H1800216		7.75							--	7.00		4					4
H1800316		11.50							--	10.75		4					6
H1800416		15.25							--	14.50		4					8
H1800516	3.00	19.00	1.50	2.00	3.75	0.34	2.31	0.38	11.00	18.25		6	1-1/4	-20 or M42x2.0	1"	-16 or M33x2.0	10
H1800616		22.75							11.00	22.00		6					12
H1800716		26.50							14.75	25.75		6					14
H1800816		30.25							14.75	29.50		6					16
H1800916		34.00							18.50	33.25		6					18
H1801016		37.75							18.50	37.00		6					20
P,S ports = 0.41 B,M,T ports = 0.42																	
H1800120		4.50							--	3.50		4					2
H1800220		8.50							--	7.50		4					4
H1800320		12.50							--	11.50		4					6
H1800420		16.50							--	15.50		4					8
H1800520	3.50	20.50	1.75	2.25	4.00	0.41	2.69	0.50	11.75	19.50		6	1-1/2	-24 or M48x2.0	1-1/4	-20 or M42x2.0	10
H1800620		24.50							11.75	23.50	0.53	6					12
H1800720		28.50							15.75	27.50		6					14
H1800820		32.50							15.75	31.50		6					16
H1800920		36.50							19.75	35.50		6					18
H1801020		40.50							19.75	39.50		6					20
*H1800124[B,P,T]		5.00							--	4.00		4					2
*H1800224[B,P,T]		10.00							--	9.00		4					4
*H1800324[B,P,T]		15.00							--	14.00		4					6
*H1800424[B,P,T]		20.00							9.50	19.00		4					8
*H1800524[B,P,T]	4.00	25.00	2.00	2.50	5.00	0.41	3.19	0.50	14.50	24.00		6	2"	--	1-1/2	--	10
*H1800624[B,P,T]		30.00							14.50	29.00	0.53	6					12
*H1800724[B,P,T]		35.00							19.50	34.00		6					14
*H1800824[B,P,T]		40.00							19.50	39.00		6					16
*H1800924[B,P,T]		45.00							24.50	44.00		6					18
*H1801024[B,P,T]		50.00							24.50	49.00		6					20
*H1800124[M,S]		5.00							--	4.00		4					2
*H1800224[M,S]		10.00							--	9.00		4					4
*H1800324[M,S]		15.00							--	14.00		4					6
*H1800424[M,S]		20.00							9.50	19.00		4					8
*H1800524[M,S]	4.50	25.00	2.25	2.50	5.00	0.41	3.69	0.50	14.50	24.00		6	--	-32 or M60x2.0	--	-24 or M48x2.0	10
*H1800624[M,S]		30.00							14.50	29.00	0.53	6					12
*H1800724[M,S]		35.00							19.50	34.00		6					14
*H1800824[M,S]		40.00							19.50	39.00		6					16
*H1800924[M,S]		45.00							24.50	44.00		6					18
*H1801024[M,S]		50.00							24.50	49.00		6					20

Junction Manifolds - 90°

Junction Manifolds - 90° Design

Junction block mounting hardware is supplied, except for stainless. See page 201 for itemized list.



Specifications, descriptions, and dimensional data are subject to correction or change without notice or incurring obligation. Download latest catalog page revisions at www.daman.com.

Ordering Information

Material	Product Type	Side Port Layout	No. of Stations	Side Port Threads																																																																																	
<table border="1"> <thead> <tr> <th colspan="2">Material</th> </tr> </thead> <tbody> <tr> <td>A</td> <td>Aluminum - 6061-T6 3000[†] psi • 20.7 MPa</td> </tr> <tr> <td>D</td> <td>Ductile Iron - D4512 5000[†] psi • 34.5 MPa</td> </tr> <tr> <td>S*</td> <td>Stainless Steel - 17-4 5000[†] psi • 34.5 MPa</td> </tr> <tr> <td colspan="2">[†] Working pressure should be considered in accordance with ISO 4413 to determine appropriate material type.</td> </tr> <tr> <td colspan="2">*All stainless steel products are passivated.</td> </tr> </tbody> </table>	Material		A	Aluminum - 6061-T6 3000 [†] psi • 20.7 MPa	D	Ductile Iron - D4512 5000 [†] psi • 34.5 MPa	S*	Stainless Steel - 17-4 5000 [†] psi • 34.5 MPa	[†] Working pressure should be considered in accordance with ISO 4413 to determine appropriate material type.		*All stainless steel products are passivated.		<table border="1"> <thead> <tr> <th colspan="2">Product Type</th> </tr> </thead> <tbody> <tr> <td>J</td> <td>Junction Block</td> </tr> </tbody> </table>	Product Type		J	Junction Block	<table border="1"> <thead> <tr> <th colspan="2">Side Port Layout</th> </tr> </thead> <tbody> <tr> <td>090</td> <td>Ports out two adjacent sides</td> </tr> </tbody> </table>	Side Port Layout		090	Ports out two adjacent sides	<table border="1"> <thead> <tr> <th colspan="2">No. of Stations</th> </tr> </thead> <tbody> <tr> <td>01 thru 10</td> <td>Check chart on next page to verify station-port size combinations</td> </tr> </tbody> </table>	No. of Stations		01 thru 10	Check chart on next page to verify station-port size combinations	<table border="1"> <thead> <tr> <th colspan="6">Side Port Threads</th> </tr> </thead> <tbody> <tr> <td>04B*</td> <td>04P*</td> <td>04T*</td> <td>04M*</td> <td>04S*</td> <td rowspan="10"> M = METRIC • ISO 6149 S = SAE • ISO 11926, SAE 1926 </td> </tr> <tr> <td>06B*</td> <td>06P*</td> <td>06T*</td> <td>06M*</td> <td>06S*</td> </tr> <tr> <td>08B</td> <td>08P</td> <td>08T</td> <td>08M</td> <td>08S</td> </tr> <tr> <td>12B*</td> <td>12P*</td> <td>12T*</td> <td>12M*</td> <td>12S*</td> </tr> <tr> <td>16B*</td> <td>16P*</td> <td>16T*</td> <td>16M*</td> <td>16S*</td> </tr> <tr> <td>20B*</td> <td>20P*</td> <td>20T*</td> <td>20M*</td> <td>20S*</td> </tr> <tr> <td>24B</td> <td>24P</td> <td>24T</td> <td>24M</td> <td>24S</td> </tr> <tr> <td colspan="5">Check chart on next page to verify station-port size combinations</td> </tr> <tr> <td colspan="5"> B = BSPP • ISO 1179, BS 2779 P = NPTF • ANSI B1.20.3 T = BSPT • ISO 7, BS 21 </td> </tr> <tr> <td colspan="5"> * Available in Stainless Steel Note: Pipe ports in stainless can gall. </td> </tr> </tbody> </table>	Side Port Threads						04B*	04P*	04T*	04M*	04S*	M = METRIC • ISO 6149 S = SAE • ISO 11926, SAE 1926	06B*	06P*	06T*	06M*	06S*	08B	08P	08T	08M	08S	12B*	12P*	12T*	12M*	12S*	16B*	16P*	16T*	16M*	16S*	20B*	20P*	20T*	20M*	20S*	24B	24P	24T	24M	24S	Check chart on next page to verify station-port size combinations					B = BSPP • ISO 1179, BS 2779 P = NPTF • ANSI B1.20.3 T = BSPT • ISO 7, BS 21					* Available in Stainless Steel Note: Pipe ports in stainless can gall.				
Material																																																																																					
A	Aluminum - 6061-T6 3000 [†] psi • 20.7 MPa																																																																																				
D	Ductile Iron - D4512 5000 [†] psi • 34.5 MPa																																																																																				
S*	Stainless Steel - 17-4 5000 [†] psi • 34.5 MPa																																																																																				
[†] Working pressure should be considered in accordance with ISO 4413 to determine appropriate material type.																																																																																					
*All stainless steel products are passivated.																																																																																					
Product Type																																																																																					
J	Junction Block																																																																																				
Side Port Layout																																																																																					
090	Ports out two adjacent sides																																																																																				
No. of Stations																																																																																					
01 thru 10	Check chart on next page to verify station-port size combinations																																																																																				
Side Port Threads																																																																																					
04B*	04P*	04T*	04M*	04S*	M = METRIC • ISO 6149 S = SAE • ISO 11926, SAE 1926																																																																																
06B*	06P*	06T*	06M*	06S*																																																																																	
08B	08P	08T	08M	08S																																																																																	
12B*	12P*	12T*	12M*	12S*																																																																																	
16B*	16P*	16T*	16M*	16S*																																																																																	
20B*	20P*	20T*	20M*	20S*																																																																																	
24B	24P	24T	24M	24S																																																																																	
Check chart on next page to verify station-port size combinations																																																																																					
B = BSPP • ISO 1179, BS 2779 P = NPTF • ANSI B1.20.3 T = BSPT • ISO 7, BS 21																																																																																					
* Available in Stainless Steel Note: Pipe ports in stainless can gall.																																																																																					

For **coating options** see pages 245-246.

Junction Manifolds - 90° Design

PART NO.	A	B	C	D	E	F	G	H	J	K	L	M	N	P	Q
J0900104		2.13							--	1.50		4			2
J0900204		3.88							--	3.25		4			4
J0900304		5.63							--	5.00		4			6
J0900404		7.38							--	6.75		4			8
J0900504	1.75	9.13	0.88	1.06	1.75	0.25	1.25	0.31	5.13	8.50	0.28	6	1/4	-4	10
J0900604		10.88							5.13	10.25		6		or	12
J0900704		12.63							6.88	12.00		6		M10x1.0	14
J0900804		14.38							6.88	13.75		6			16
J0900904		16.13							8.63	15.50		6			18
J0901004		17.88							8.63	17.25		6			20
J0900106		3.00							--	2.38		4			2
J0900206		5.00							--	4.38		4			4
J0900306		7.00							--	6.38		4			6
J0900406		9.00							--	8.38		4			8
J0900506	1.75	11.00	0.88	1.50	2.00	0.25	1.25	0.31	6.19	10.38	0.28	6	3/8	-6	10
J0900606		13.00							6.19	12.38		6		or	12
J0900706		15.00							8.19	14.38		6		M14x1.5	14
J0900806		17.00							8.19	16.38		6			16
J0900906		19.00							10.19	18.38		6			18
J0901006		21.00							10.19	20.38		6			20
J0900108		3.00							--	2.38		4			2
J0900208		5.38							--	4.75		4			4
J0900308		7.75							--	7.13		4			6
J0900408		10.13							--	9.50		4			8
J0900508	2.00	12.50	1.00	1.50	2.38	0.25	1.50	0.31	7.13	11.88	0.28	6	1/2	-8	10
J0900608		14.88							7.13	14.25		6		or	12
J0900708		17.25							9.50	16.63		6		M18x1.5	14
J0900808		19.63							9.50	19.00		6			16
J0900908		22.00							11.88	21.38		6			18
J0901008		24.38							11.88	23.75		6			20
J0900112		3.63							--	2.88		4			2
J0900212		6.88							--	6.13		4			4
J0900312		10.13							--	9.38		4			6
J0900412		13.38							--	12.63		4			8
J0900512	2.50	16.63	1.25	1.81	3.25	0.28	1.94	0.38	9.56	15.88	0.34	6	3/4	-12	10
J0900612		19.88							9.56	19.13		6		or	12
J0900712		23.13							12.81	22.38		6		M27x2.0	14
J0900812		26.38							12.81	25.63		6			16
J0900912		29.63							16.06	28.88		6			18
J0901012		32.88							16.06	32.13		6			20
J0900116		4.00							--	3.25		4			2
J0900216		7.75							--	7.00		4			4
J0900316		11.50							--	10.75		4			6
J0900416		15.25							--	14.50		4			8
J0900516	3.00	19.00	1.50	2.00	3.75	0.34	2.31	0.38	11.00	18.25	B.M., T ports = 0.41	6	1"	-16	10
J0900616		22.75							11.00	22.00		6		or	12
J0900716		26.50							14.75	25.75		6		M33x2.0	14
J0900816		30.25							14.75	29.50		6			16
J0900916		34.00							18.50	33.25		6			18
J0901016		37.75							18.50	37.00		6			20
J0900120		4.50							--	3.50		4			2
J0900220		8.50							--	7.50		4			4
J0900320		12.50							--	11.50		4			6
J0900420		16.50							--	15.50		4			8
J0900520	3.50	20.50	1.75	2.25	4.00	0.41	2.69	0.50	11.75	19.50	0.53	6	1-1/4	-20	10
J0900620		24.50							11.75	23.50		6		or	12
J0900720		28.50							15.75	27.50		6		M42x2.0	14
J0900820		32.50							15.75	31.50		6			16
J0900920		36.50							19.75	35.50		6			18
J0901020		40.50							19.75	39.50		6			20

Chart continued on next page

Custom Products
 Standard Manifolds
 Cover Plates
 Valve Adaptors
 Subplates
 Servo Valve Subplates
 Tapping Plates
 Cartridge Valve Cavity Bodies
 Header and Junction Blocks
 Technical Information

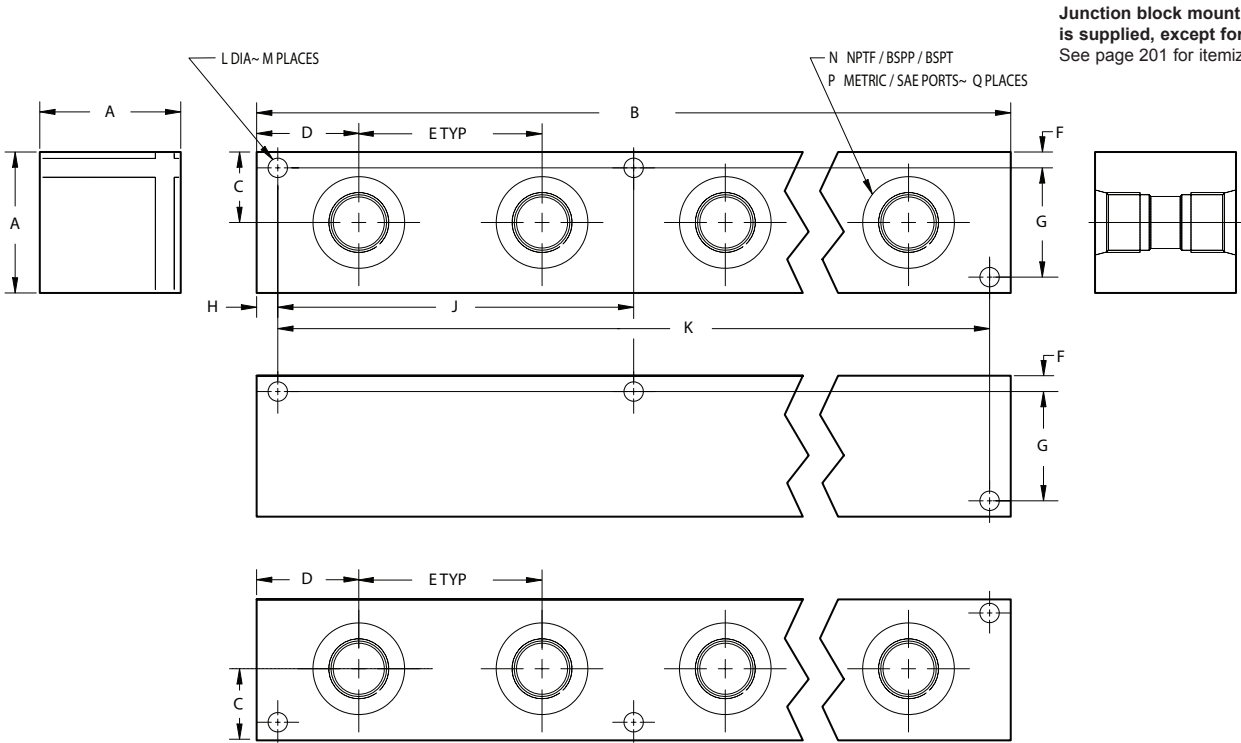
Junction Manifolds - 90° Design (cont)

PART NO.	A	B	C	D	E	F	G	H	J	K	L	M	N	P	Q
J0900124		5.00							--	4.00		4			2
J0900224		10.00							--	9.00		4			4
J0900324		15.00							--	14.00		4			6
J0900424		20.00							9.50	19.00		4			8
J0900524	4.00	25.00	2.00	2.50	5.00	0.41	3.19	0.50	14.50	24.00	0.53	6	1-1/2	-24 or M48x2.0	10
J0900624		30.00							14.50	29.00		6			12
J0900724		35.00							19.50	34.00		6			14
J0900824		40.00							19.50	39.00		6			16
J0900924		45.00							24.50	44.00		6			18
J0901024		50.00							24.50	49.00		6			20

Custom Products
Standard Manifolds
Cover Plates
Valve Adaptors
Subplates
Servo Valve Subplates
Tapping Plates
Cartridge Valve Cavity Bodies
Header and Junction Blocks
Technical Information

Junction Manifolds - 180°

Junction Manifolds - 180° Design



Junction block mounting hardware is supplied, except for stainless. See page 201 for itemized list.

Specifications, descriptions, and dimensional data are subject to correction or change without notice or incurring obligation. Download latest catalog page revisions at www.daman.com.

Ordering Information

Material	Product Type	Side Port Layout	No. of Stations	Side Port Threads																																																																								
<table border="1" style="width: 100%; border-collapse: collapse;"> <thead> <tr> <th colspan="2">Material</th> </tr> </thead> <tbody> <tr> <td style="text-align: center;">A</td> <td>Aluminum - 6061-T6 3000† psi • 20.7 MPa</td> </tr> <tr> <td style="text-align: center;">D</td> <td>Ductile Iron - D4512 5000† psi • 34.5 MPa</td> </tr> <tr> <td style="text-align: center;">S*</td> <td>Stainless Steel - 17-4 5000† psi • 34.5 MPa</td> </tr> <tr> <td colspan="2">† Working pressure should be considered in accordance with ISO 4413 to determine appropriate material type.</td> </tr> <tr> <td colspan="2">*All stainless steel products are passivated.</td> </tr> </tbody> </table>	Material		A	Aluminum - 6061-T6 3000† psi • 20.7 MPa	D	Ductile Iron - D4512 5000† psi • 34.5 MPa	S*	Stainless Steel - 17-4 5000† psi • 34.5 MPa	† Working pressure should be considered in accordance with ISO 4413 to determine appropriate material type.		*All stainless steel products are passivated.		<table border="1" style="width: 100%; border-collapse: collapse;"> <thead> <tr> <th colspan="2">Product Type</th> </tr> </thead> <tbody> <tr> <td style="text-align: center;">J</td> <td>Junction Block</td> </tr> </tbody> </table>	Product Type		J	Junction Block	<table border="1" style="width: 100%; border-collapse: collapse;"> <thead> <tr> <th colspan="2">Side Port Layout</th> </tr> </thead> <tbody> <tr> <td style="text-align: center;">180</td> <td>Ports out two opposite sides</td> </tr> </tbody> </table>	Side Port Layout		180	Ports out two opposite sides	<table border="1" style="width: 100%; border-collapse: collapse;"> <thead> <tr> <th colspan="2">No. of Stations</th> </tr> </thead> <tbody> <tr> <td style="text-align: center;">01 thru 10</td> <td>Check chart on next page to verify station-port size combinations</td> </tr> </tbody> </table>	No. of Stations		01 thru 10	Check chart on next page to verify station-port size combinations	<table border="1" style="width: 100%; border-collapse: collapse;"> <thead> <tr> <th colspan="6">Side Port Threads</th> </tr> </thead> <tbody> <tr> <td style="text-align: center;">04B*</td> <td style="text-align: center;">04P*</td> <td style="text-align: center;">04T*</td> <td rowspan="10" style="text-align: center; vertical-align: middle;"> <small>B = BSPP • ISO 1179, BS 2179 P = NPTF • ANSI B1.20.3 T = BSPT • ISO 7, BS 21</small> </td> <td style="text-align: center;">04M*</td> <td style="text-align: center;">04S*</td> </tr> <tr> <td style="text-align: center;">06B*</td> <td style="text-align: center;">06P*</td> <td style="text-align: center;">06T*</td> <td style="text-align: center;">06M*</td> <td style="text-align: center;">06S*</td> </tr> <tr> <td style="text-align: center;">08B</td> <td style="text-align: center;">08P</td> <td style="text-align: center;">08T</td> <td style="text-align: center;">08M</td> <td style="text-align: center;">08S</td> </tr> <tr> <td style="text-align: center;">12B*</td> <td style="text-align: center;">12P*</td> <td style="text-align: center;">12T*</td> <td style="text-align: center;">12M*</td> <td style="text-align: center;">12S*</td> </tr> <tr> <td style="text-align: center;">16B*</td> <td style="text-align: center;">16P*</td> <td style="text-align: center;">16T*</td> <td style="text-align: center;">16M*</td> <td style="text-align: center;">16S*</td> </tr> <tr> <td style="text-align: center;">20B*</td> <td style="text-align: center;">20P*</td> <td style="text-align: center;">20T*</td> <td style="text-align: center;">20M*</td> <td style="text-align: center;">20S*</td> </tr> <tr> <td style="text-align: center;">24B</td> <td style="text-align: center;">24P</td> <td style="text-align: center;">24T</td> <td style="text-align: center;">24M</td> <td style="text-align: center;">24S</td> </tr> <tr> <td colspan="5" style="text-align: center;">Check chart on next page to verify station-port size combinations</td> </tr> </tbody> </table>	Side Port Threads						04B*	04P*	04T*	<small>B = BSPP • ISO 1179, BS 2179 P = NPTF • ANSI B1.20.3 T = BSPT • ISO 7, BS 21</small>	04M*	04S*	06B*	06P*	06T*	06M*	06S*	08B	08P	08T	08M	08S	12B*	12P*	12T*	12M*	12S*	16B*	16P*	16T*	16M*	16S*	20B*	20P*	20T*	20M*	20S*	24B	24P	24T	24M	24S	Check chart on next page to verify station-port size combinations					<p>For coating options see pages 245-246.</p>
Material																																																																												
A	Aluminum - 6061-T6 3000† psi • 20.7 MPa																																																																											
D	Ductile Iron - D4512 5000† psi • 34.5 MPa																																																																											
S*	Stainless Steel - 17-4 5000† psi • 34.5 MPa																																																																											
† Working pressure should be considered in accordance with ISO 4413 to determine appropriate material type.																																																																												
*All stainless steel products are passivated.																																																																												
Product Type																																																																												
J	Junction Block																																																																											
Side Port Layout																																																																												
180	Ports out two opposite sides																																																																											
No. of Stations																																																																												
01 thru 10	Check chart on next page to verify station-port size combinations																																																																											
Side Port Threads																																																																												
04B*	04P*	04T*	<small>B = BSPP • ISO 1179, BS 2179 P = NPTF • ANSI B1.20.3 T = BSPT • ISO 7, BS 21</small>	04M*	04S*																																																																							
06B*	06P*	06T*		06M*	06S*																																																																							
08B	08P	08T		08M	08S																																																																							
12B*	12P*	12T*		12M*	12S*																																																																							
16B*	16P*	16T*		16M*	16S*																																																																							
20B*	20P*	20T*		20M*	20S*																																																																							
24B	24P	24T		24M	24S																																																																							
Check chart on next page to verify station-port size combinations																																																																												

* Available in Stainless Steel
Note: Pipe ports in stainless can gall.

Junction Manifolds - 180° Design

PART NO.	A	B	C	D	E	F	G	H	J	K	L	M	N	P	Q
J1800104		2.13							--	1.50		4			2
J1800204		3.88							--	3.25		4			4
J1800304		5.63							--	5.00		4			6
J1800404		7.38							--	6.75		4			8
J1800504	1.75	9.13	0.88	1.06	1.75	0.25	1.25	0.31	5.13	8.50	0.28	6	1/4	-4	10
J1800604		10.88							5.13	10.25		6		or	12
J1800704		12.63							6.88	12.00		6		M10x1.0	14
J1800804		14.38							6.88	13.75		6			16
J1800904		16.13							8.63	15.50		6			18
J1801004		17.88							8.63	17.25		6			20
J1800106		3.00							--	2.38		4			2
J1800206		5.00							--	4.38		4			4
J1800306		7.00							--	6.38		4			6
J1800406		9.00							--	8.38		4			8
J1800506	1.75	11.00	0.88	1.50	2.00	0.25	1.25	0.31	6.19	10.38	0.28	6	3/8	-6	10
J1800606		13.00							6.19	12.38		6		or	12
J1800706		15.00							8.19	14.38		6		M14x1.5	14
J1800806		17.00							8.19	16.38		6			16
J1800906		19.00							10.19	18.38		6			18
J1801006		21.00							10.19	20.38		6			20
J1800108		3.00							--	2.38		4			2
J1800208		5.38							--	4.75		4			4
J1800308		7.75							--	7.13		4			6
J1800408		10.13							--	9.50		4			8
J1800508	2.00	12.50	1.00	1.50	2.38	0.25	1.50	0.31	7.13	11.88	0.28	6	1/2	-8	10
J1800608		14.88							7.13	14.25		6		or	12
J1800708		17.25							9.50	16.63		6		M18x1.5	14
J1800808		19.63							9.50	19.00		6			16
J1800908		22.00							11.88	21.38		6			18
J1801008		24.38							11.88	23.75		6			20
J1800112		3.63							--	2.88		4			2
J1800212		6.88							--	6.13		4			4
J1800312		10.13							--	9.38		4			6
J1800412		13.38							--	12.63		4			8
J1800512	2.50	16.63	1.25	1.81	3.25	0.28	1.94	0.38	9.56	15.88	0.34	6	3/4	-12	10
J1800612		19.88							9.56	19.13		6		or	12
J1800712		23.13							12.81	22.38		6		M27x2.0	14
J1800812		26.38							12.81	25.63		6			16
J1800912		29.63							16.06	28.88		6			18
J1801012		32.88							16.06	32.13		6			20
J1800116		4.00							--	3.25		4			2
J1800216		7.75							--	7.00		4			4
J1800316		11.50							--	10.75		4			6
J1800416		15.25							--	14.50		4			8
J1800516	3.00	19.00	1.50	2.00	3.75	0.34	2.31	0.38	11.00	18.25	P,S ports = 0.41	6	1"	-16	10
J1800616		22.75							11.00	22.00	B,M,T ports = 0.42	6		or	12
J1800716		26.50							14.75	25.75		6		M33x2.0	14
J1800816		30.25							14.75	29.50		6			16
J1800916		34.00							18.50	33.25		6			18
J1801016		37.75							18.50	37.00		6			20
J1800120		4.50							--	3.50		4			2
J1800220		8.50							--	7.50		4			4
J1800320		12.50							--	11.50		4			6
J1800420		16.50							--	15.50		4			8
J1800520	3.50	20.50	1.75	2.25	4.00	0.41	2.69	0.50	11.75	19.50	0.53	6	1-1/4	-20	10
J1800620		24.50							11.75	23.50		6		or	12
J1800720		28.50							15.75	27.50		6		M42x2.0	14
J1800820		32.50							15.75	31.50		6			16
J1800920		36.50							19.75	35.50		6			18
J1801020		40.50							19.75	39.50		6			20

Chart continued on next page

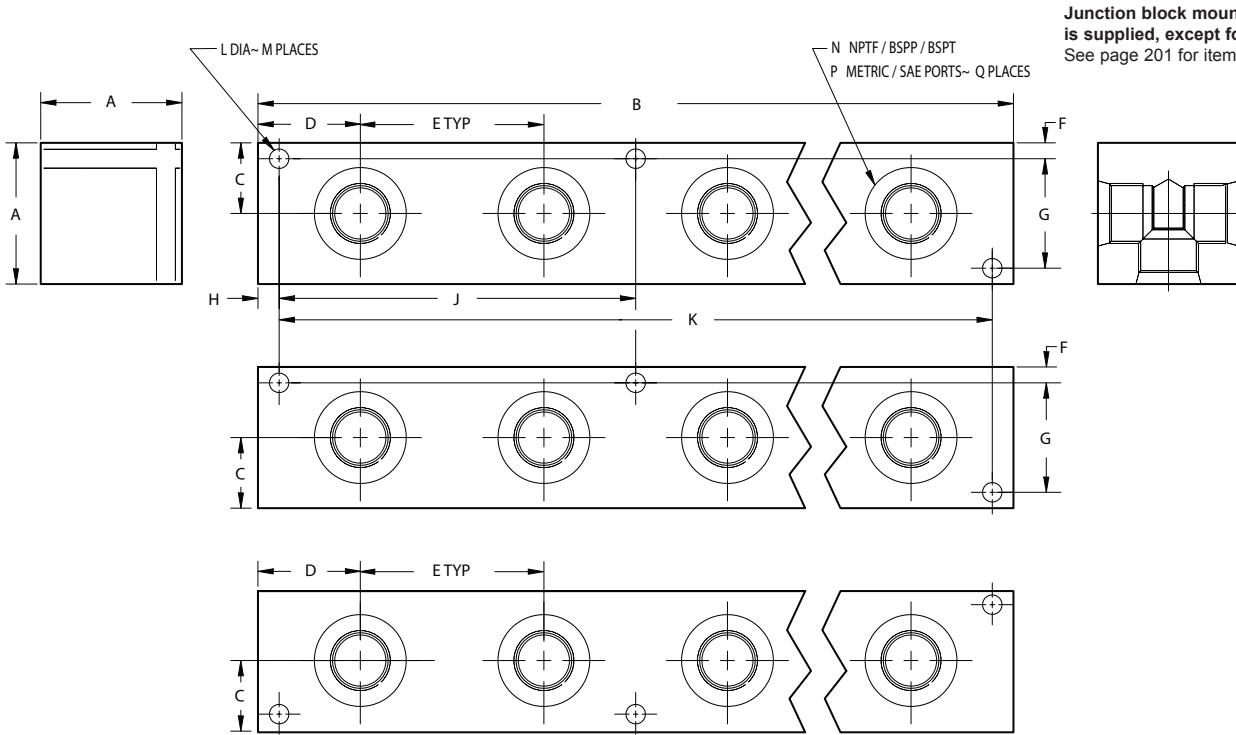
Custom Products
 Standard Manifolds
 Cover Plates
 Valve Adaptors
 Subplates
 Servo Valve Subplates
 Tapping Plates
 Cartridge Valve Cavity Bodies
 Header and Junction Blocks
 Technical Information

Junction Manifolds - 180° Design (cont)

PART NO.	A	B	C	D	E	F	G	H	J	K	L	M	N	P	Q
J1800124		5.00							--	4.00		4			2
J1800224		10.00							--	9.00		4			4
J1800324		15.00							--	14.00		4			6
J1800424		20.00							9.50	19.00		4			8
J1800524	4.00	25.00	2.00	2.50	5.00	0.41	3.19	0.50	14.50	24.00	0.53	6	1-1/2	-24	10
J1800624		30.00							14.50	29.00		6		or	12
J1800724		35.00							19.50	34.00		6		M48x2.0	14
J1800824		40.00							19.50	39.00		6			16
J1800924		45.00							24.50	44.00		6			18
J1801024		50.00							24.50	49.00		6			20

Junction Manifolds - 270°

Junction Manifolds - 270° Design



Junction block mounting hardware is supplied, except for stainless. See page 201 for itemized list.

Specifications, descriptions, and dimensional data are subject to correction or change without notice or incurring obligation. Download latest catalog page revisions at www.daman.com.

Ordering Information

Material	Product Type	Side Port Layout	No. of Stations	Side Port Threads
----------	--------------	------------------	-----------------	-------------------

For **coating options** see pages 245-246.

Material	
A	Aluminum - 6061-T6 3000† psi • 20.7 MPa
D	Ductile Iron - D4512 5000† psi • 34.5 MPa
S*	Stainless Steel - 17-4 5000† psi • 34.5 MPa

† Working pressure should be considered in accordance with ISO 4413 to determine appropriate material type.

*All stainless steel products are passivated.

Side Port Layout	
270	Ports out three adjacent sides

No. of Stations	
01 thru 10	Check chart on next page to verify station-port size combinations

Product Type	
J	Junction Block

Side Port Threads					
04B*	04P*	04T*	04M*	04S*	M = METRIC • ISO 6149 S = SAE • ISO 11926, SAE 1926
06B*	06P*	06T*	06M*	06S*	
08B	08P	08T	08M	08S	
12B*	12P*	12T*	12M*	12S*	
16B*	16P*	16T*	16M*	16S*	
20B*	20P*	20T*	20M*	20S*	
24B	24P	24T	24M	24S	
B = BSPP • ISO 1179, BS 2779 P = NPTF • ANSI B1.20.3 T = BSPT • ISO 7, BS 21					

Check chart on next page to verify station-port size combinations

* Available in Stainless Steel
 Note: Pipe ports in stainless can gall.

Junction Manifolds - 270° Design

PART NO.	A	B	C	D	E	F	G	H	J	K	L	M	N	P	Q
J2700104		2.13							--	1.50		4			3
J2700204		3.88							--	3.25		4			6
J2700304		5.63							--	5.00		4			9
J2700404		7.38							--	6.75		4			12
J2700504	1.75	9.13	0.88	1.06	1.75	0.25	1.25	0.31	5.13	8.50	0.28	6	1/4	-4	15
J2700604		10.88							5.13	10.25		6		or	18
J2700704		12.63							6.88	12.00		6		M10x1.0	21
J2700804		14.38							6.88	13.75		6			24
J2700904		16.13							8.63	15.50		6			27
J2701004		17.88							8.63	17.25		6			30
J2700106		3.00							--	2.38		4			3
J2700206		5.00							--	4.38		4			6
J2700306		7.00							--	6.38		4			9
J2700406		9.00							--	8.38		4			12
J2700506	1.75	11.00	0.88	1.50	2.00	0.25	1.25	0.31	6.19	10.38	0.28	6	3/8	-6	15
J2700606		13.00							6.19	12.38		6		or	18
J2700706		15.00							8.19	14.38		6		M14x1.5	21
J2700806		17.00							8.19	16.38		6			24
J2700906		19.00							10.19	18.38		6			27
J2701006		21.00							10.19	20.38		6			30
J2700108		3.00							--	2.38		4			3
J2700208		5.38							--	4.75		4			6
J2700308		7.75							--	7.13		4			9
J2700408		10.13							--	9.50		4			12
J2700508	2.00	12.50	1.00	1.50	2.38	0.25	1.50	0.31	7.13	11.88	0.28	6	1/2	-8	15
J2700608		14.88							7.13	14.25		6		or	18
J2700708		17.25							9.50	16.63		6		M18x1.5	21
J2700808		19.63							9.50	19.00		6			24
J2700908		22.00							11.88	21.38		6			27
J2701008		24.38							11.88	23.75		6			30
J2700112		3.63							--	2.88		4			3
J2700212		6.88							--	6.13		4			6
J2700312		10.13							--	9.38		4			9
J2700412		13.38							--	12.63		4			12
J2700512	2.50	16.63	1.25	1.81	3.25	0.28	1.94	0.38	9.56	15.88	0.34	6	3/4	-12	15
J2700612		19.88							9.56	19.13		6		or	18
J2700712		23.13							12.81	22.38		6		M27x2.0	21
J2700812		26.38							12.81	25.63		6			24
J2700912		29.63							16.06	28.88		6			27
J2701012		32.88							16.06	32.13		6			30
J2700116		4.00							--	3.25		4			3
J2700216		7.75							--	7.00		4			6
J2700316		11.50							--	10.75		4			9
J2700416		15.25							--	14.50		4			12
J2700516	3.00	19.00	1.50	2.00	3.75	0.34	2.31	0.38	11.00	18.25	B.M., T ports = 0.41	6	1"	-16	15
J2700616		22.75							11.00	22.00	P.S ports = 0.42	6		or	18
J2700716		26.50							14.75	25.75		6		M33x2.0	21
J2700816		30.25							14.75	29.50		6			24
J2700916		34.00							18.50	33.25		6			27
J2701016		37.75							18.50	37.00		6			30
J2700120		4.50							--	3.50		4			3
J2700220		8.50							--	7.50		4			6
J2700320		12.50							--	11.50		4			9
J2700420		16.50							--	15.50		4			12
J2700520	3.50	20.50	1.75	2.25	4.00	0.41	2.69	0.50	11.75	19.50	0.53	6	1-1/4	-20	15
J2700620		24.50							11.75	23.50		6		or	18
J2700720		28.50							15.75	27.50		6		M42x2.0	21
J2700820		32.50							15.75	31.50		6			24
J2700920		36.50							19.75	35.50		6			27
J2701020		40.50							19.75	39.50		6			30

Chart continued on next page

Custom Products
 Standard Manifolds
 Cover Plates
 Valve Adaptors
 Subplates
 Servo Valve Subplates
 Tapping Plates
 Cartridge Valve Cavity Bodies
 Header and Junction Blocks
 Technical Information

Junction Manifolds - 270° Design (cont)

PART NO.	A	B	C	D	E	F	G	H	J	K	L	M	N	P	Q
J2700124		5.00							--	4.00		4			3
J2700224		10.00							--	9.00		4			6
J2700324		15.00							--	14.00		4			9
J2700424		20.00							9.50	19.00		6			12
J2700524	4.00	25.00	2.00	2.50	5.00	0.41	3.19	0.50	14.50	24.00	0.53	6	1-1/2	-24	15
J2700624		30.00							14.50	29.00		6		or	18
J2700724		35.00							19.50	34.00		6		M48x2.0	21
J2700824		40.00							19.50	39.00		6			24
J2700924		45.00							24.50	44.00		6			27
J2701024		50.00							24.50	49.00		6			30