

SUBPLATES

D02 Subplates	Page 114
D03 Subplates	Pages 115-118
D05 Subplates	Pages 119-125
D07 Subplates	Pages 126-127
D08 Subplates	Pages 128-129
D10 Subplates	Page 130
2F06, 2F07 Subplates	Page 131
P06, P08, P10 Subplates	Page 132
R06, R08, R10 Subplates	Page 133
I08, I10 Subplates	Page 133
Mounting Hardware	Pages 134-136



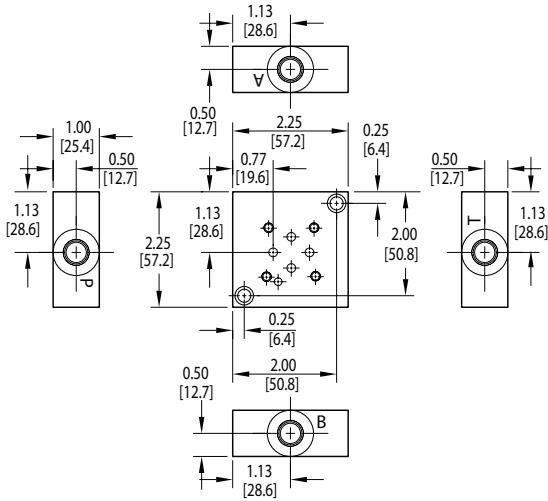
Subplates

The pages in this section are our standard product offerings for subplates. If you need a custom subplate solution please visit www.daman.com for Request For Quote (RFQ) instructions.

D02 Subplates

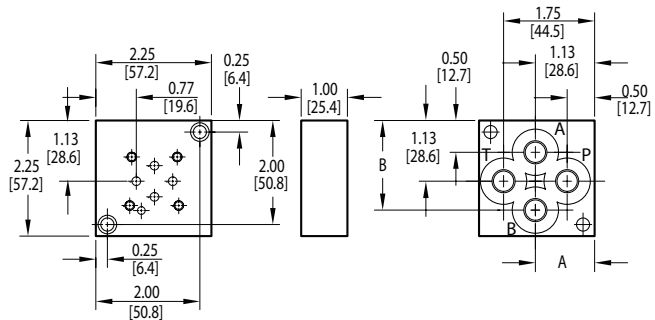
Side Ported Subplate

Valve mtg: UNC #10-24 x 0.56 DP or
Metric M5-0.8mm ISO 6H x [14] DP
Subplate hardware kit is supplied.
See page 134 for itemized list.



Back Ported Subplate

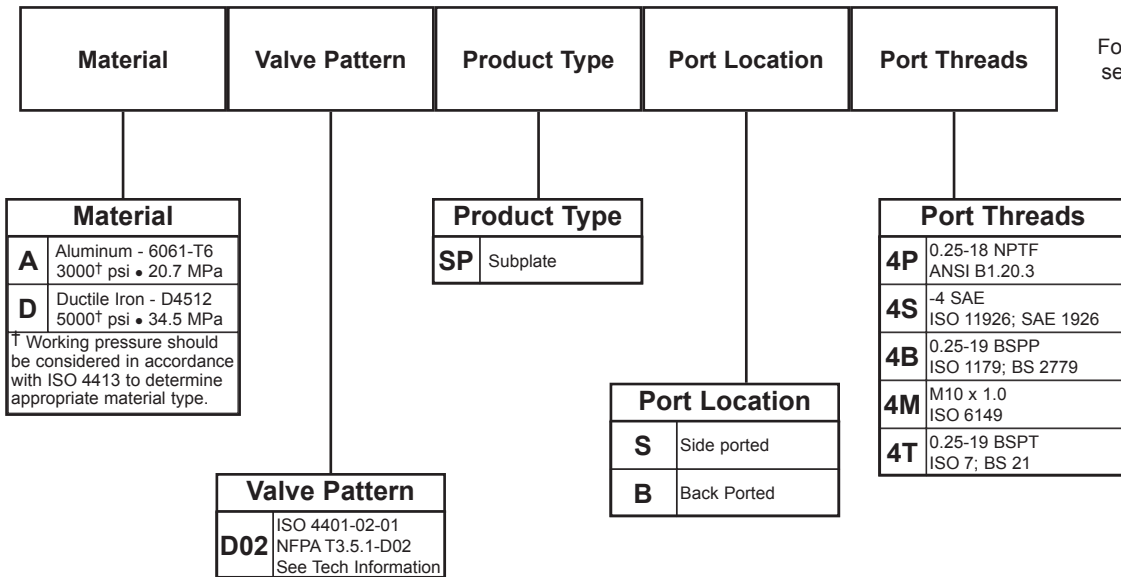
Valve mtg: UNC #10-24 x 0.56 DP or
Metric M5-0.8mm ISO 6H x [14] DP
Subplate mounting hardware is supplied.
See page 134 for itemized list.



Dimension	A	B
*D02SPB4P	1.22 [31.0]	1.88 [47.6]
*D02SPB4T		
*D02SPB4S	1.13 [28.6]	1.75 [44.5]
*D02SPB4B		
*D02SPB4M		

Specifications, descriptions, and dimensional data are subject to correction or change without notice or incurring obligation. Download latest catalog page revisions at www.daman.com.

Ordering Information

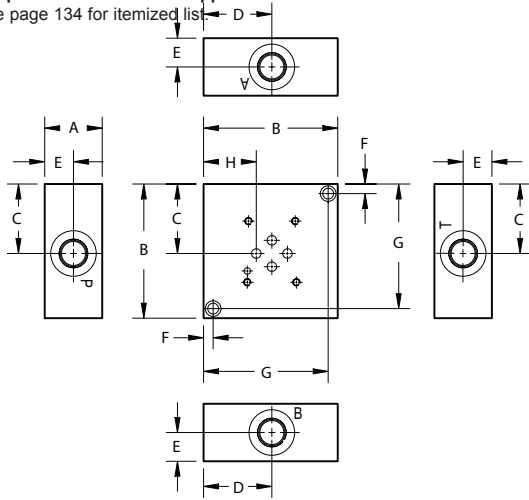


For **coating options**
see pages 245-246.

D03 Subplates

Side Ported Subplate

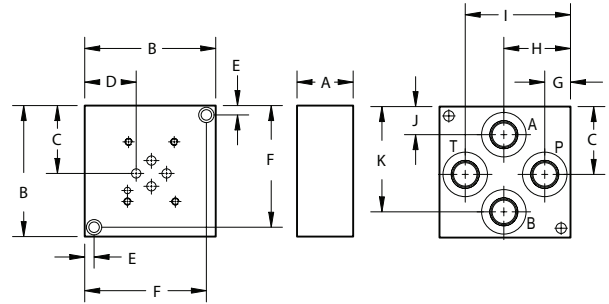
Valve mtg: UNC #10-24 x 0.63 DP or
Metric M5-0.8mm ISO 6H x [16] DP
Subplate hardware kit is supplied.
See page 134 for itemized list.



Dimension	A	B	C	D	E	F	G	H
*D03SPS4P	1.00	2.50	1.31	1.25	0.50	0.25	2.25	0.88
D03SPS6	[25.4]	[63.5]	[33.3]	[31.8]	[12.7]	[6.4]	[57.2]	[22.4]
D03SPS8	1.50	3.50	1.81	1.78	0.75	0.25	3.25	1.38
	[38.1]	[88.9]	[46.0]	[45.2]	[19.1]	[6.4]	[82.6]	[34.9]
D03SPS12	1.75	4.00	2.06	2.03	0.88	0.38	3.63	1.63
	[44.5]	[101.6]	[52.4]	[51.6]	[22.2]	[9.5]	[92.1]	[41.3]

Back Ported Subplate

Valve mtg: UNC #10-24 x 0.63 DP or
Metric M5-0.8mm ISO 6H x [16] DP
Subplate hardware kit is supplied.
See page 134 for itemized list.



Dimension	A	B	C	D	E	F	G	H	I	J	K
*D03SPB4P	1.00	2.50	1.31	0.88	0.25	2.25	0.66	1.28	1.91	0.75	1.88
	[25.4]	[63.5]	[33.3]	[22.4]	[6.4]	[57.2]	[16.7]	[32.5]	[48.4]	[19.1]	[47.6]
*D03SPB6B	1.00	2.50	1.25	0.84	0.25	2.25	0.51	1.25	1.98	0.52	1.97
	[25.4]	[63.5]	[31.8]	[21.4]	[6.4]	[57.2]	[13.0]	[31.8]	[50.4]	[13.2]	[50.0]
*D03SPB6[M,P,S,T]	1.00	2.50	1.31	0.88	0.25	2.25	0.59	1.28	1.97	0.69	1.94
	[25.4]	[63.5]	[33.3]	[22.4]	[6.4]	[57.2]	[15.1]	[32.5]	[50.0]	[17.5]	[49.2]
D03SPB8	1.50	3.50	1.81	1.38	0.25	3.25	0.69	1.78	2.81	0.75	2.81
	[38.1]	[88.9]	[46.0]	[34.9]	[6.4]	[82.6]	[17.5]	[45.2]	[71.4]	[19.1]	[71.4]
D03SPB12	1.50	4.50	2.31	1.88	0.38	4.13	0.94	2.28	3.56	0.94	3.56
	[38.1]	[114.3]	[58.8]	[47.6]	[9.5]	[104.8]	[23.8]	[57.9]	[90.5]	[23.8]	[90.5]

Specifications, descriptions, and dimensional data are subject to correction or change without notice or incurring obligation. Download latest catalog page revisions at www.daman.com.

Ordering Information



For coating options see pages 245-246.

Material	
A	Aluminum - 6061-T6 3000† psi • 20.7 MPa
D	Ductile Iron - D4512 5000† psi • 34.5 MPa

† Working pressure should be considered in accordance with ISO 4413 to determine appropriate material type.

Product Type	
SP	Subplate

Port Location	
S	Side ported
B	Back Ported

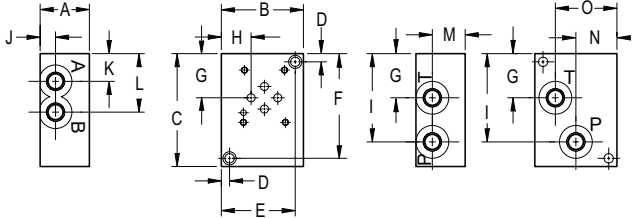
Valve Pattern	
D03	ISO 4401-03-02 NFFPA T3.5.1-D03 See Tech Information

Port Threads					
4P	0.25-18 NPTF ANSI B1.20.3				
6P	0.38-18 NPTF ANSI B1.20.3	8P	0.50-14 NPTF ANSI B1.20.3	12P	0.75-14 NPTF ANSI B1.20.3
6S	-6 SAE ISO 11926; SAE 1926	8S	-8 SAE ISO 11926; SAE 1926	12S	-12 SAE ISO 11926; SAE 1926
6B	0.38-19 BSPP ISO 1179; BS 2779	8B	0.50-14 BSPP ISO 1179; BS 2779	12B	0.75-14 BSPP ISO 1179; BS 2779
6M	M14 x 1.5 ISO 6149	8M	M18 x 1.5 ISO 6149	12M	M27 x 2.0 ISO 6149
6T	0.38-19 BSPT ISO 7; BS 21	8T	0.50-14 BSPT ISO 7; BS 21	12T	0.75-14 BSPT ISO 7; BS 21

D03 Subplates

Dual Ported Subplate

Valve mtg: UNC #10-24 x 0.50 DP or
Metric M5-0.8mm ISO 6H x [12.7] DP
Subplate hardware kit is supplied.
See page 134 for itemized list.

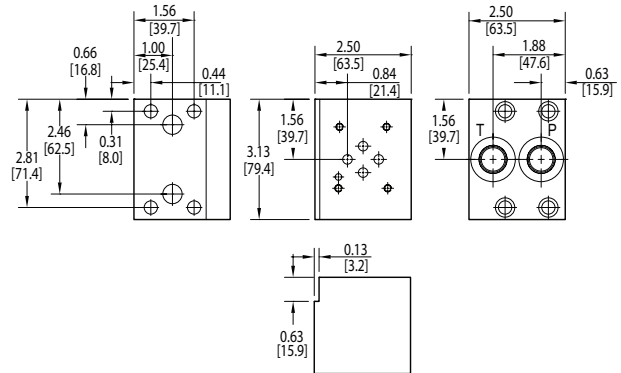


Dimension	A	B	C	D	E	F	G	H
D03SPSB6	1.50 [38.1]	2.50 [63.5]	3.44 [87.4]	0.25 [6.4]	2.25 [57.2]	3.19 [81.0]	1.34 [34.0]	0.91 [23.1]
D03SPSB8	2.00 [50.8]	2.75 [69.9]	3.75 [95.3]	0.25 [6.4]	2.50 [63.5]	3.50 [88.9]	1.34 [34.0]	0.91 [23.1]

Dimension	I	J	K	L	M	N	O
*D03SPSB6B	2.69 [68.3]	0.50 [12.7]	0.72 [18.3]	1.78 [45.2]	1.00 [25.4]	1.25 [31.8]	1.88 [47.8]
*D03SPSB6[M,P,S,T]	2.69 [68.3]	0.47 [11.9]	0.84 [21.4]	1.78 [45.2]	1.00 [25.4]	1.25 [31.8]	1.88 [47.8]
*D03SPSB8B	3.00 [76.2]	0.88 [22.2]	0.69 [17.5]	1.97 [50.0]	1.38 [34.9]	1.44 [36.5]	1.94 [49.2]
*D03SPSB8[M,P,S,T]	3.00 [76.2]	0.88 [22.2]	0.69 [17.5]	1.94 [49.2]	1.38 [34.9]	1.44 [36.5]	1.94 [49.2]

Motor Mounted Subplate

Available with NPTF or SAE ports only.
Valve mtg: UNC #10-24 x 0.63 DP
Subplate hardware kit is supplied.
See page 134 for itemized list.



Specifications, descriptions, and dimensional data are subject to correction or change without notice or incurring obligation. Download latest catalog page revisions at www.daman.com.

Ordering Information

Material	Valve Pattern	Product Type	Port Location	Port Threads
----------	---------------	--------------	---------------	--------------

For **coating options**
see pages 245-246.

Material	
A	Aluminum - 6061-T6 3000 [†] psi • 20.7 MPa
D	Ductile Iron - D4512 5000 [†] psi • 34.5 MPa

[†] Working pressure should be considered in accordance with ISO 4413 to determine appropriate material type.

Product Type	
SP	Subplate

Port Location	
SB	Side P,A,B,T ports Back P & T ports
M	Motor mounting 8P or 8S ports only

Valve Pattern	
D03	ISO 4401-03-02 NFPA T3.5.1-D03 See Tech Information

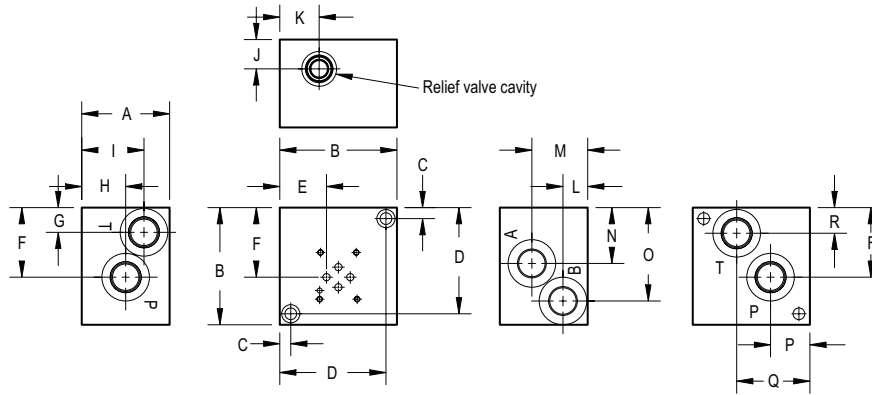
Port Threads			
Port location SB only		Port location SB or M	
6P	0.38-18 NPTF ANSI B1.20.3	8P	0.50-14 NPTF ANSI B1.20.3
6S	-6 SAE ISO 11926; SAE 1926	8S	-8 SAE ISO 11926; SAE 1926
6B	0.38-19 BSPP ISO 1179; BS 2779	Port location SB only	
6M	M14 x 1.5 ISO 6149	8B	0.50-14 BSPP ISO 1179; BS 2779
6T	0.38-19 BSPT ISO 7; BS 21	8M	M18 x 1.5 ISO 6149
		8T	0.50-14 BSPT ISO 7; BS 21

D03 Subplates with Relief Cavity

Dual Ported Subplate with Main Relief Cavity

Valve mtg: UNC #10-24 x 0.63 DP or
Metric M5-0.8mm ISO 6H x [16] DP

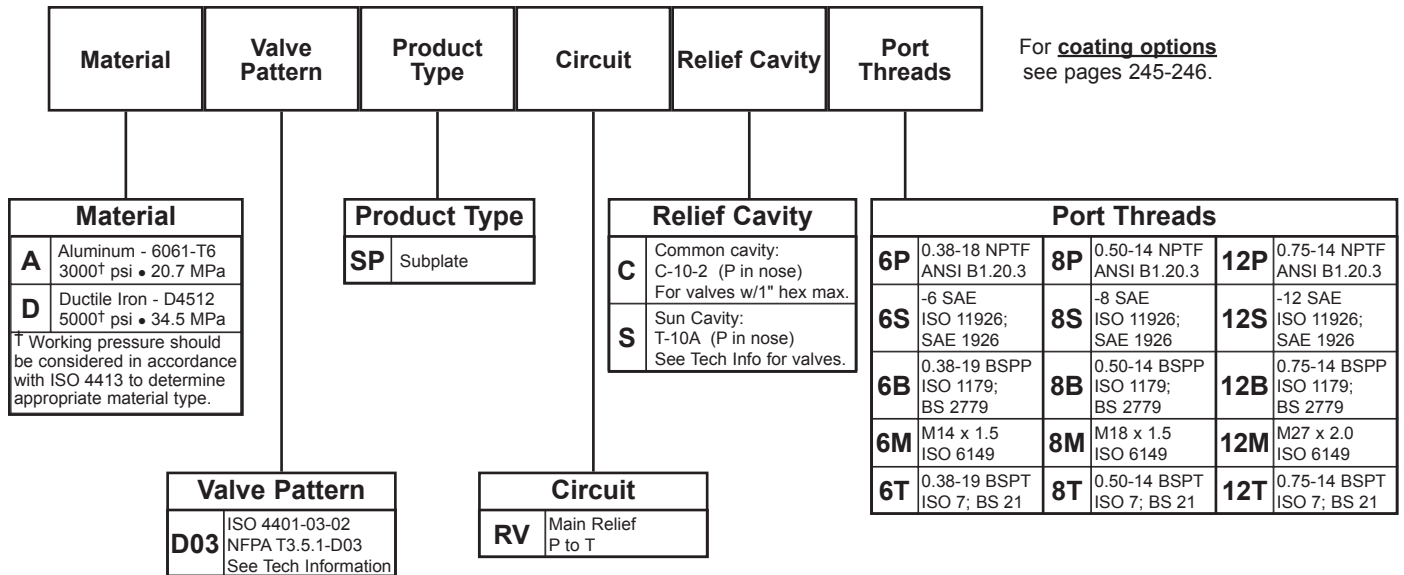
Subplate hardware kit is supplied.
See page 134 for itemized list.



Dimension	A	B	C	D	E	F	G	H	I	J	K	L	M	N	O	P	Q	R
*D03SPRV*6*	2.25 [57.2]	3.00 [76.2]	0.31 [7.9]	2.69 [68.3]	0.97 [24.6]	2.00 [50.8]	0.69 [17.5]	1.66 [42.1]	1.66 [42.1]	0.88 [22.2]	0.84 [21.3]	0.88 [22.2]	1.63 [41.3]	1.53 [38.9]	2.37 [60.2]	0.97 [24.6]	1.69 [42.9]	0.69 [17.5]
*D03SPRV*8*	3.00 [76.2]	3.50 [88.9]	0.38 [9.5]	3.12 [79.4]	1.34 [34.1]	2.19 [55.6]	0.81 [20.6]	1.50 [38.1]	2.00 [50.8]	1.00 [25.4]	1.09 [22.8]	0.84 [21.4]	1.91 [48.4]	1.72 [43.6]	2.53 [64.3]	1.09 [22.8]	2.25 [57.2]	0.81 [20.6]
*D03SPRV*12*	3.00 [76.2]	4.00 [101.6]	0.38 [9.5]	3.63 [92.1]	1.59 [40.5]	2.38 [60.3]	0.84 [21.4]	1.50 [38.1]	2.13 [54.0]	1.00 [25.4]	1.34 [34.1]	0.84 [21.4]	1.91 [48.4]	1.91 [48.4]	3.19 [81.0]	1.34 [34.1]	2.50 [63.5]	0.88 [22.2]

Specifications, descriptions, and dimensional data are subject to correction or change without notice or incurring obligation. Download latest catalog page revisions at www.daman.com.

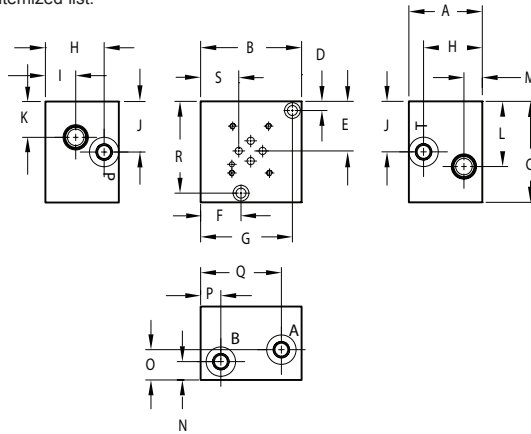
Ordering Information



D03 Subplates with Relief Cavity

Side Ported Subplate with Cylinder Port Crossover Relief Cavities

Valve mtg: UNC #10-24 x 0.63 DP or
Metric M5-0.8mm ISO 6H x [16] DP
Subplate hardware kit is supplied.
See page 134 for itemized list.



Dimension	A	B	C	D	E	F	G	H	I	J	K	L	M	N	O	P	Q	R	S
*D03SPCR*6*	2.50 [63.5]	3.50 [88.9]	3.50 [88.9]	0.31 [7.9]	1.69 [42.9]	1.41 [35.7]	3.19 [81.0]	2.00 [50.8]	1.03 [26.2]	1.72 [43.7]	1.22 [31.0]	2.22 [56.4]	0.63 [16.0]	0.63 [16.0]	1.03 [26.2]	0.69 [17.5]	2.81 [71.4]	3.19 [81.0]	1.33 [33.7]
*D03SPCR*12*	4.00 [101.6]	5.00 [127.0]	4.50 [114.3]	0.38 [9.5]	2.00 [50.8]	2.50 [63.5]	2.50 [63.5]	3.00 [76.2]	1.25 [31.8]	2.00 [50.8]	1.50 [38.1]	2.50 [63.5]	1.00 [25.4]	1.25 [31.8]	1.38 [35.1]	1.00 [25.4]	4.00 [101.6]	4.13 [104.8]	2.06 [52.8]

Specifications, descriptions, and dimensional data are subject to correction or change without notice or incurring obligation. Download latest catalog page revisions at www.daman.com.

Ordering Information

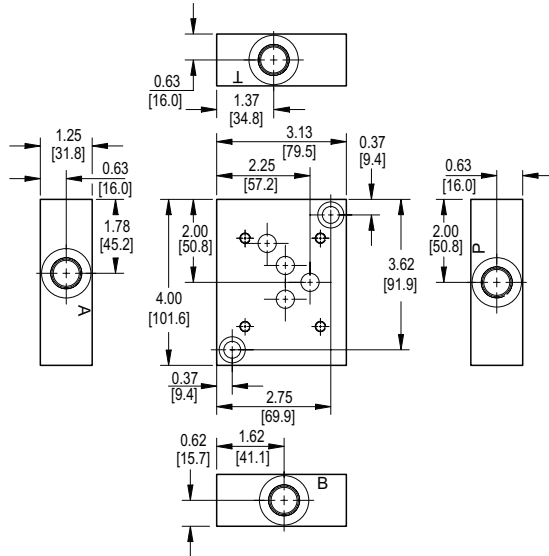
For **coating options**
see pages 245-246.

Material	Valve Pattern	Product Type	Circuit	Relief Cavity	Port Threads																																																		
<table border="1"> <thead> <tr> <th colspan="2">Material</th> </tr> </thead> <tbody> <tr> <td>A</td> <td>Aluminum - 6061-T6 3000[†] psi • 20.7 MPa</td> </tr> <tr> <td>D</td> <td>Ductile Iron - D4512 5000[†] psi • 34.5 MPa</td> </tr> <tr> <td colspan="2"> [†] Working pressure should be considered in accordance with ISO 4413 to determine appropriate material type. </td> </tr> </tbody> </table>	Material		A	Aluminum - 6061-T6 3000 [†] psi • 20.7 MPa	D	Ductile Iron - D4512 5000 [†] psi • 34.5 MPa	[†] Working pressure should be considered in accordance with ISO 4413 to determine appropriate material type.		<table border="1"> <thead> <tr> <th colspan="2">Valve Pattern</th> </tr> </thead> <tbody> <tr> <td>D03</td> <td>ISO 4401-03-02 NFPA T3.5.1-D03 See Tech Information</td> </tr> </tbody> </table>	Valve Pattern		D03	ISO 4401-03-02 NFPA T3.5.1-D03 See Tech Information	<table border="1"> <thead> <tr> <th colspan="2">Product Type</th> </tr> </thead> <tbody> <tr> <td>SP</td> <td>Subplate</td> </tr> </tbody> </table>	Product Type		SP	Subplate	<table border="1"> <thead> <tr> <th colspan="2">Circuit</th> </tr> </thead> <tbody> <tr> <td>CR</td> <td>Crossover Reliefs A to B and B to A</td> </tr> </tbody> </table>	Circuit		CR	Crossover Reliefs A to B and B to A	<table border="1"> <thead> <tr> <th colspan="2">Relief Cavity</th> </tr> </thead> <tbody> <tr> <td>C</td> <td>Common cavity: C-10-2 (P in nose) For valves w/1" hex max.</td> </tr> <tr> <td>S</td> <td>Sun Cavity: T-10A (P in nose) See Tech Info for valves.</td> </tr> </tbody> </table>	Relief Cavity		C	Common cavity: C-10-2 (P in nose) For valves w/1" hex max.	S	Sun Cavity: T-10A (P in nose) See Tech Info for valves.	<table border="1"> <thead> <tr> <th colspan="4">Port Threads</th> </tr> </thead> <tbody> <tr> <td>6P</td> <td>0.38-18 NPTF ANSI B1.20.3</td> <td>12P</td> <td>0.75-14 NPTF ANSI B1.20.3</td> </tr> <tr> <td>6S</td> <td>-6 SAE ISO 11926; SAE 1926</td> <td>12S</td> <td>-12 SAE ISO 11926; SAE 1926</td> </tr> <tr> <td>6B</td> <td>0.38-19 BSPP ISO 1179; BS 2779</td> <td>12B</td> <td>0.75-14 BSPP ISO 1179; BS 2779</td> </tr> <tr> <td>6M</td> <td>M14 x 1.5 ISO 6149</td> <td>12M</td> <td>M27 x 2.0 ISO 6149</td> </tr> <tr> <td>6T</td> <td>0.38-19 BSPT ISO 7; BS 21</td> <td>12T</td> <td>0.75-14 BSPT ISO 7; BS 21</td> </tr> </tbody> </table>	Port Threads				6P	0.38-18 NPTF ANSI B1.20.3	12P	0.75-14 NPTF ANSI B1.20.3	6S	-6 SAE ISO 11926; SAE 1926	12S	-12 SAE ISO 11926; SAE 1926	6B	0.38-19 BSPP ISO 1179; BS 2779	12B	0.75-14 BSPP ISO 1179; BS 2779	6M	M14 x 1.5 ISO 6149	12M	M27 x 2.0 ISO 6149	6T	0.38-19 BSPT ISO 7; BS 21	12T	0.75-14 BSPT ISO 7; BS 21
Material																																																							
A	Aluminum - 6061-T6 3000 [†] psi • 20.7 MPa																																																						
D	Ductile Iron - D4512 5000 [†] psi • 34.5 MPa																																																						
[†] Working pressure should be considered in accordance with ISO 4413 to determine appropriate material type.																																																							
Valve Pattern																																																							
D03	ISO 4401-03-02 NFPA T3.5.1-D03 See Tech Information																																																						
Product Type																																																							
SP	Subplate																																																						
Circuit																																																							
CR	Crossover Reliefs A to B and B to A																																																						
Relief Cavity																																																							
C	Common cavity: C-10-2 (P in nose) For valves w/1" hex max.																																																						
S	Sun Cavity: T-10A (P in nose) See Tech Info for valves.																																																						
Port Threads																																																							
6P	0.38-18 NPTF ANSI B1.20.3	12P	0.75-14 NPTF ANSI B1.20.3																																																				
6S	-6 SAE ISO 11926; SAE 1926	12S	-12 SAE ISO 11926; SAE 1926																																																				
6B	0.38-19 BSPP ISO 1179; BS 2779	12B	0.75-14 BSPP ISO 1179; BS 2779																																																				
6M	M14 x 1.5 ISO 6149	12M	M27 x 2.0 ISO 6149																																																				
6T	0.38-19 BSPT ISO 7; BS 21	12T	0.75-14 BSPT ISO 7; BS 21																																																				

D05 Subplates

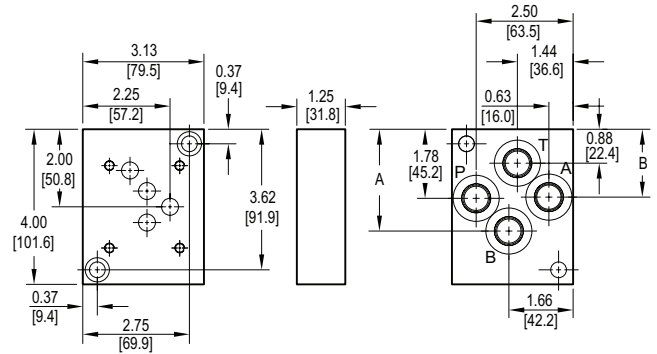
Side Ported Subplate

Valve mtg: UNC 0.25-20 x 0.75 DP or
Metric M6-1.0mm ISO 6H x [19.1] DP
Subplate hardware kit is supplied.
See page 134 for itemized list.



Back Ported Subplate

Valve mtg: UNC 0.25-20 x 0.75 DP or
Metric M6-1.0mm ISO 6H x [19.1] DP
Subplate hardware kit is supplied.
See page 134 for itemized list.



Dimension	A	B
*D05SPB6P	2.63 [66.8]	1.75 [44.5]
*D05SPB8B	2.94 [74.6]	2.00 [50.8]
*D05SPB8[M,P,S,T]	2.63 [66.8]	1.75 [44.5]

Specifications, descriptions, and dimensional data are subject to correction or change without notice or incurring obligation. Download latest catalog page revisions at www.daman.com.

Ordering Information



For **coating options**
see pages 245-246.

Material	
A	Aluminum - 6061-T6 3000† psi • 20.7 MPa
D	Ductile Iron - D4512 5000† psi • 34.5 MPa

† Working pressure should be considered in accordance with ISO 4413 to determine appropriate material type.

Product Type	
SP	Subplate

Port Threads	
6P	0.38-18 NPTF ANSI B1.20.3
8P	0.50-14 NPTF ANSI B1.20.3
8S	-8 SAE ISO 11926; SAE 1926
8B	0.50-14 BSPP ISO 1179; BS 2779
8M	M18 x 1.5 ISO 6149
8T	0.50-14 BSPT ISO 7; BS 21

Port Location	
S	Side ported
B	Back Ported

Valve Pattern	
D05	ISO 4401-05-04 NFFPA T3.5.1-D05 See Tech Information

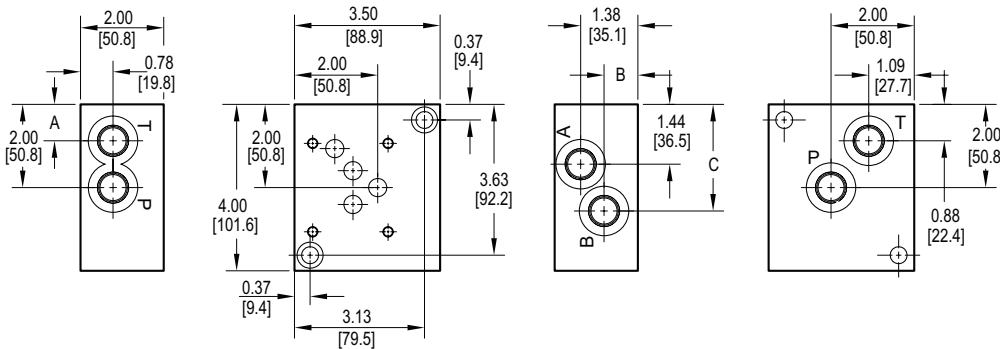
D05 Subplates

Dual Ported Subplate

Valve mtg: UNC 0.25-20 x 0.56 DP or
Metric M6-1.0mm ISO 6H x [14.2] DP

Subplate hardware kit is supplied.

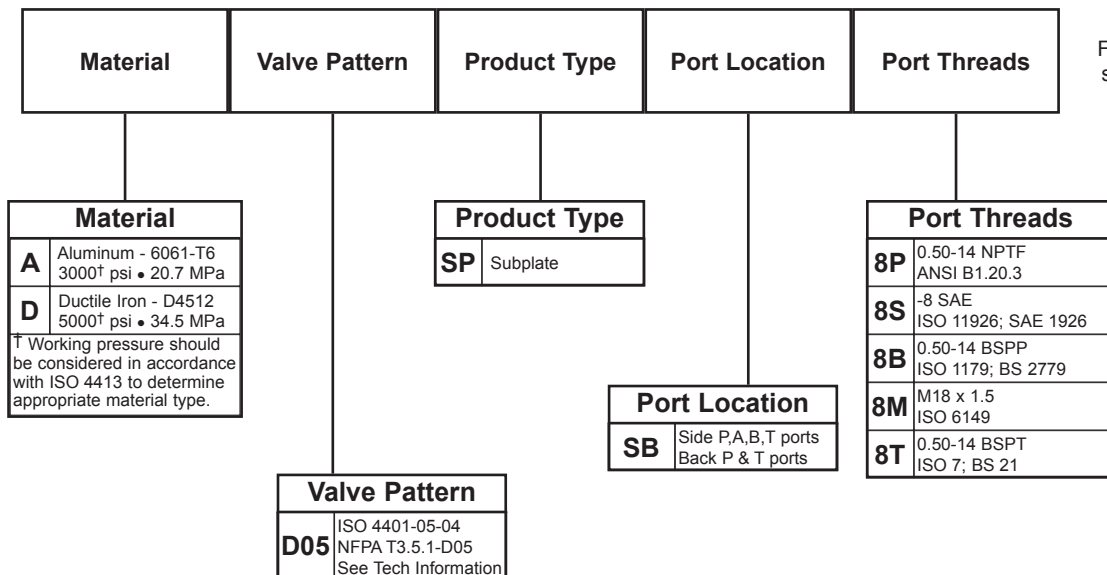
See page 134 for itemized list.



Dimension	A	B	C
*D05SPSB8B	0.66 [16.7]	0.78 [19.8]	2.81 [71.4]
*D05SPSB8[M,P,S,T]	0.88 [22.2]	1.38 [35.1]	2.56 [65.1]

Specifications, descriptions, and dimensional data are subject to correction or change without notice or incurring obligation. Download latest catalog page revisions at www.daman.com.

Ordering Information

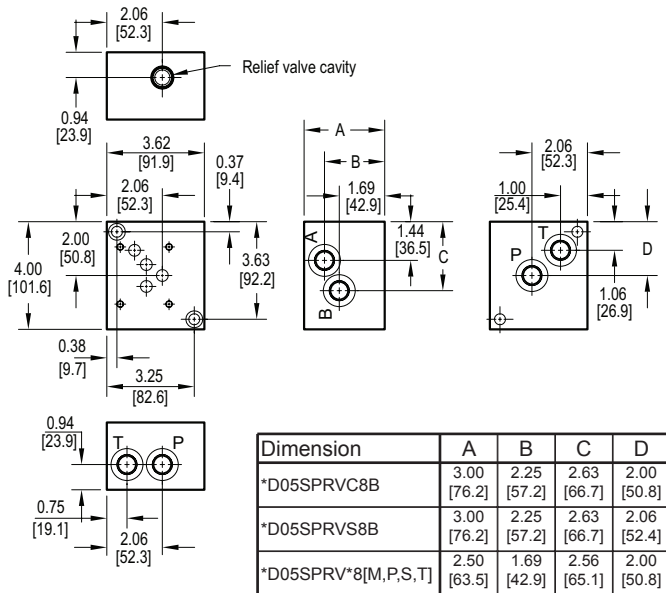


For **coating options** see pages 245-246.

D05 Subplates with Relief Cavity

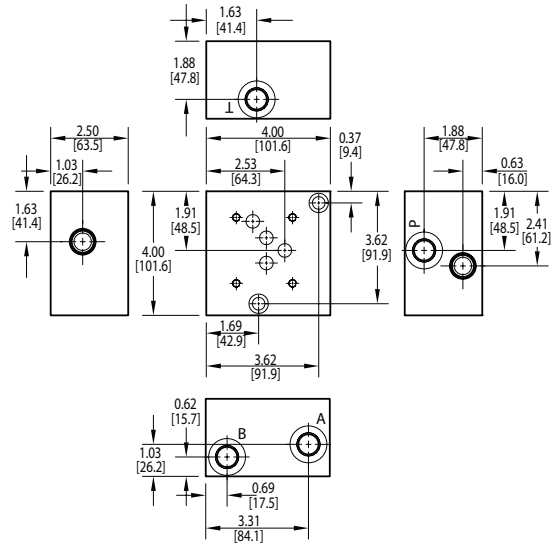
Dual Ported Subplate with Main Relief Cavity

Valve mtg: UNC 0.25-20 x 0.75 DP or
Metric M6-1.0mm ISO 6H x [19.1] DP
Subplate hardware kit is supplied.
See page 134 for itemized list.



Side Ported Subplate with Cylinder Port Crossover Relief Cavities

Valve mtg: UNC 0.25-20 x 0.75 DP or
Metric M6-1.0mm ISO 6H x [19.1] DP
Subplate hardware kit is supplied.
See page 135 for itemized list.



Specifications, descriptions, and dimensional data are subject to correction or change without notice or incurring obligation. Download latest catalog page revisions at www.daman.com.

Ordering Information

For coating options
see pages 245-246.

Material	Valve Pattern	Product Type	Circuit	Relief Cavity	Port Threads
----------	---------------	--------------	---------	---------------	--------------

Material	
A	Aluminum - 6061-T6 3000† psi • 20.7 MPa
D	Ductile Iron - D4512 5000† psi • 34.5 MPa

† Working pressure should be considered in accordance with ISO 4413 to determine appropriate material type.

Product Type	
SP	Subplate

Relief Cavity	
C	Common cavity: C-10-2 (P in nose) For valves w/1" hex max.
S	Sun Cavity: T-10A (P in nose) See Tech Info for valves.

Port Threads	
8P	0.50-14 NPTF ANSI B1.20.3
8S	-8 SAE ISO 11926; SAE 1926
8B	0.50-14 BSPP ISO 1179; BS 2779
8M	M18 x 1.5 ISO 6149
8T	0.50-14 BSPT ISO 7; BS 21

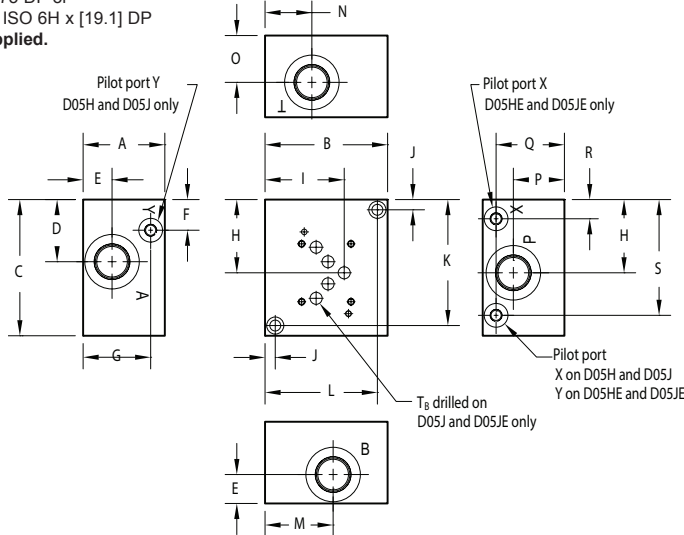
Valve Pattern	
D05	ISO 4401-05-04 NFPA T3.5.1-D05 See Tech Information

Circuit	
RV	Main Relief P to T
CR	Crossover Reliefs A to B and B to A

D05 High Flow Subplates with Pilot Ports

Side Ported Subplate

Valve mtg: UNC 0.25-20 x 0.75 DP or
Metric M6-1.0mm ISO 6H x [19.1] DP
Subplate hardware kit is supplied.
See page 134 for itemized list.



Dimension	A	B	C	D	E	F	G	H	I	J	K	L	M	N	O	P	Q	R	S		
D05HSPS12	1.75 [44.5]	3.75 [95.3]	4.75 [120.7]	2.13 [54.1]	0.88 [22.4]	0.81 [20.6]	0.88 [22.4]	2.37 [60.2]	2.53 [64.3]	0.38 [9.5]	4.37 [111.0]	3.38 [85.9]	1.88 [47.8]	1.88 [47.8]	0.88 [22.4]	0.88 [22.4]	0.88 [22.4]	0.88 [22.4]	0.44 [11.2]	1.00 [25.4]	3.94 [100.1]
D05HESPS12	1.75 [44.5]	3.75 [95.3]	4.75 [120.7]	2.13 [54.1]	0.88 [22.4]	--	--	2.37 [60.2]	2.53 [64.3]	0.38 [9.5]	4.37 [111.0]	3.38 [85.9]	1.88 [47.8]	1.88 [47.8]	0.88 [22.4]	0.88 [22.4]	0.44 [11.2]	1.00 [25.4]	3.94 [100.1]		
D05JSPS16	3.00 [76.2]	4.50 [114.3]	5.00 [127.0]	2.28 [57.9]	1.06 [27.0]	1.25 [31.8]	2.50 [63.5]	2.69 [68.3]	2.91 [73.8]	0.38 [9.5]	4.63 [117.5]	4.13 [104.8]	2.50 [63.5]	1.72 [43.7]	1.72 [43.7]	1.88 [47.6]	2.50 [63.5]	--	4.19 [106.4]		
D05JESPS16	3.00 [76.2]	4.50 [114.3]	5.00 [127.0]	2.28 [57.9]	1.06 [27.0]	--	--	2.69 [68.3]	2.91 [73.8]	0.38 [9.5]	4.63 [117.5]	4.13 [104.8]	2.50 [63.5]	1.72 [43.7]	1.72 [43.7]	1.88 [47.6]	2.25 [57.2]	1.13 [28.6]	4.25 [108.0]		

Specifications, descriptions, and dimensional data are subject to correction or change without notice or incurring obligation. Download latest catalog page revisions at www.daman.com.

Ordering Information

Material	Valve Pattern	Product Type	Port Location	Port Threads
----------	---------------	--------------	---------------	--------------

For **coating options** see pages 245-246.

Material	
A	Aluminum - 6061-T6 3000† psi • 20.7 MPa
D	Ductile Iron - D4512 5000† psi • 34.5 MPa

† Working pressure should be considered in accordance with ISO 4413 to determine appropriate material type.

Valve Pattern	
See Tech Information	
D05H	(USA std.) NFFPA T3.5.1-D05 Alt B High flow
D05HE	ISO 4401-05-05 NFFPA T3.5.1-D05 Alt A High flow
D05J	(USA std.) NFFPA T3.5.1-D05 Alt B Extra high flow
D05JE	ISO 4401-05-05 NFFPA T3.5.1-D05 Alt A Extra high flow

Port Location	
S	Side ported

P, T, A, B Port Threads			X & Y port size (reference)	
D05H or D05HE only	D05J or D05JE only			
12P	0.75-14 NPTF ANSI B1.20.3	16P	1.00-11.5 NPTF ANSI B1.20.3	0.25-18 NPTF ANSI B1.20.3
12S	-12 SAE ISO 11926; SAE 1926	16S	-16 SAE ISO 11926; SAE 1926	-4 SAE ISO 11926; SAE 1926
12B	0.75-14 BSPP ISO 1179; BS 2779	16B	1.00-11 BSPP ISO 1179; BS 2779	0.25-19 BSPP ISO 1179; BS 2779
12M	M27 x 2.0 ISO 6149	16M	M33 x 2.0 ISO 6149	M10 x 1.0 ISO 6149
12T	0.75-14 BSPT ISO 7; BS 21	16T	1.00-11 BSPT ISO 7; BS 21	0.25-19 BSPT ISO 7; BS 21

Product Type	
SP	Subplate

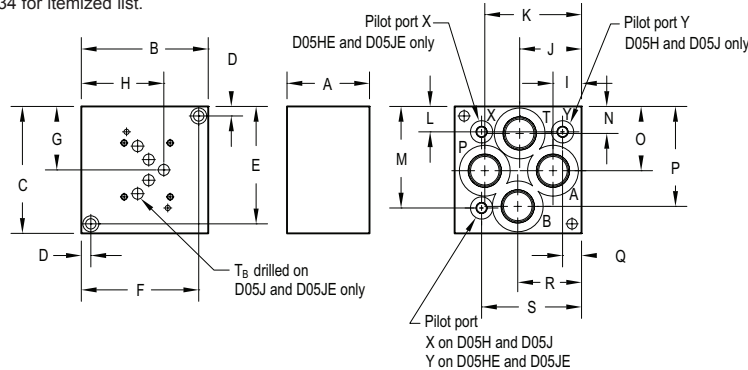
D05 High Flow Subplates with Pilot Ports

Back Ported Subplate

Valve mtg: UNC 0.25-20 x 0.75 DP or
Metric M6-1.0mm ISO 6H x [19.1] DP

Subplate hardware kit is supplied.

See page 134 for itemized list.



Dimension	A	B	C	D	E	F	G	H	I	J	K	L	M	N	O	P	Q	R	S
D05HSPB12	1.75 [44.5]	4.50 [114.3]	4.75 [120.7]	0.38 [9.5]	4.38 [111.3]	4.13 [104.9]	2.37 [60.2]	2.91 [73.9]	1.13 [28.6]	2.19 [55.6]	3.31 [84.1]	0.88 [22.2]	3.88 [98.4]	1.13 [28.7]	2.38 [60.5]	3.56 [90.4]	0.59 [15.1]	2.25 [57.2]	3.56 [90.5]
D05HESPB12	1.75 [44.5]	4.50 [114.3]	4.75 [120.7]	0.38 [9.5]	4.38 [111.3]	4.13 [104.9]	2.37 [60.2]	2.91 [73.9]	1.13 [28.6]	2.25 [57.2]	3.31 [84.1]	0.81 [20.6]	3.94 [100.1]	1.13 [28.7]	2.38 [60.5]	3.56 [90.4]	--	2.25 [57.2]	3.50 [88.9]
*D05JSPB16B	3.25 [82.6]	5.00 [127.0]	5.00 [127.0]	0.38 [9.5]	4.63 [117.5]	4.63 [117.5]	2.50 [63.5]	3.25 [82.6]	1.00 [25.4]	2.44 [61.9]	3.84 [97.6]	0.88 [22.2]	4.13 [104.8]	1.00 [25.4]	2.53 [64.3]	4.00 [101.6]	0.75 [19.1]	2.44 [61.9]	4.25 [108.0]
*D05JSPB16[M,P,S,T]	3.25 [82.6]	5.00 [127.0]	5.00 [127.0]	0.38 [9.5]	4.63 [117.5]	4.63 [117.5]	2.50 [63.5]	3.25 [82.6]	1.13 [28.6]	2.44 [61.9]	3.81 [96.8]	1.06 [27.0]	4.00 [101.6]	1.06 [27.0]	2.53 [64.3]	3.94 [100.1]	0.75 [19.1]	2.44 [61.9]	3.94 [100.1]
D05JESPB16	3.25 [82.6]	5.00 [127.0]	5.00 [127.0]	0.38 [9.5]	4.63 [117.5]	4.63 [117.5]	2.50 [63.5]	3.25 [82.6]	1.00 [25.4]	2.44 [61.9]	3.84 [97.6]	1.00 [25.4]	4.00 [101.6]	1.00 [25.4]	2.53 [64.3]	4.00 [101.6]	--	2.44 [61.9]	3.94 [100.1]

Specifications, descriptions, and dimensional data are subject to correction or change without notice or incurring obligation. Download latest catalog page revisions at www.daman.com.

Ordering Information

Material	Valve Pattern	Product Type	Port Location	Port Threads
----------	---------------	--------------	---------------	--------------

For **coating options**
see pages 245-246.

Material	
A	Aluminum - 6061-T6 3000 [†] psi • 20.7 MPa
D	Ductile Iron - D4512 5000 [†] psi • 34.5 MPa

[†] Working pressure should be considered in accordance with ISO 4413 to determine appropriate material type.

Valve Pattern	
See Tech Information	
D05H	(USA std.) NFPA T3.5.1-D05 Alt B High flow
D05HE	ISO 4401-05-05 NFPA T3.5.1-D05 Alt A High flow
D05J	(USA std.) NFPA T3.5.1-D05 Alt B Extra high flow
D05JE	ISO 4401-05-05 NFPA T3.5.1-D05 Alt A Extra high flow

Port Location	
B	Back ported

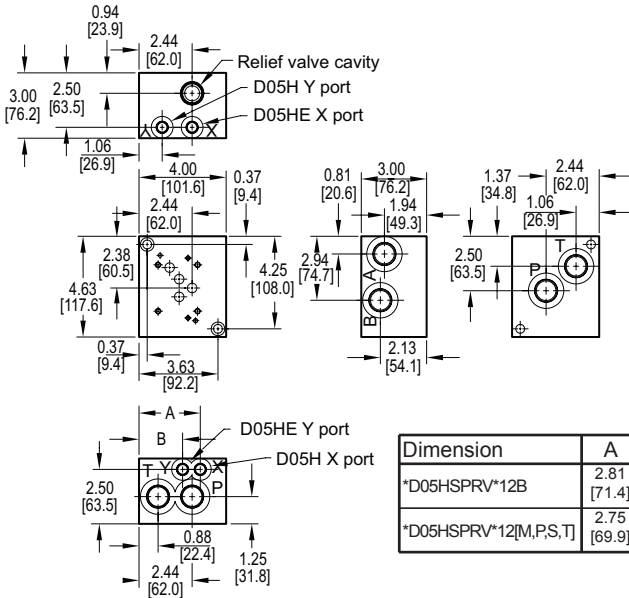
P, T, A, B Port Threads				X & Y port size (reference)
D05H or D05HE only		D05J or D05JE only		
12P	0.75-14 NPTF ANSI B1.20.3	16P	1.00-11.5 NPTF ANSI B1.20.3	0.25-18 NPTF ANSI B1.20.3
12S	-12 SAE ISO 11926; SAE 1926	16S	-16 SAE ISO 11926; SAE 1926	-4 SAE ISO 11926; SAE 1926
12B	0.75-14 BSPP ISO 1179; BS 2779	16B	1.00-11 BSPP ISO 1179; BS 2779	0.25-19 BSPP ISO 1179; BS 2779
12M	M27 x 2.0 ISO 6149	16M	M33 x 2.0 ISO 6149	M10 x 1.0 ISO 6149
12T	0.75-14 BSPT ISO 7; BS 21	16T	1.00-11 BSPT ISO 7; BS 21	0.25-19 BSPT ISO 7; BS 21

Product Type	
SP	Subplate

D05 High Flow Subplates with Pilot Ports and Relief Cavity

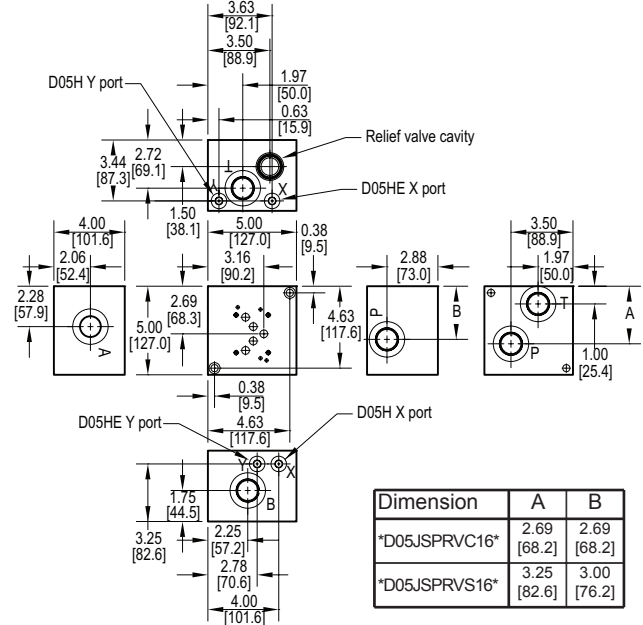
D05H High Flow Subplate with Main Relief Cavity

Valve mtg: UNC 0.25-20 x 0.75 DP or Metric M6-1.0mm ISO 6H x [19.1] DP
 Subplate hardware kit is supplied. See page 134 for itemized list.



D05J Extra High Flow Subplate with Main Relief Cavity

Valve mtg: UNC 0.25-20 x 0.75 DP or Metric M6-1.0mm ISO 6H x [19.1] DP
 Subplate hardware kit is supplied. See page 135 for itemized list.



Specifications, descriptions, and dimensional data are subject to correction or change without notice or incurring obligation. Download latest catalog page revisions at www.daman.com.

Ordering Information

Material	Valve Pattern	Product Type	Circuit	Relief Cavity	Port Threads
----------	---------------	--------------	---------	---------------	--------------

For coating options see pages 245-246.

Material	
A	Aluminum - 6061-T6 3000† psi • 20.7 MPa
D	Ductile Iron - D4512 5000† psi • 34.5 MPa

† Working pressure should be considered in accordance with ISO 4413 to determine appropriate material type.

Product Type	
SP	Subplate

Circuit	
RV	Main Relief P to T

Valve Pattern	
See Tech Information	
D05H	ISO 4401-05-05 NFPA T3.5.1-D05 Alt A & B High flow
D05J	ISO 4401-05-05 NFPA T3.5.1-D05 Alt A & B Extra high flow

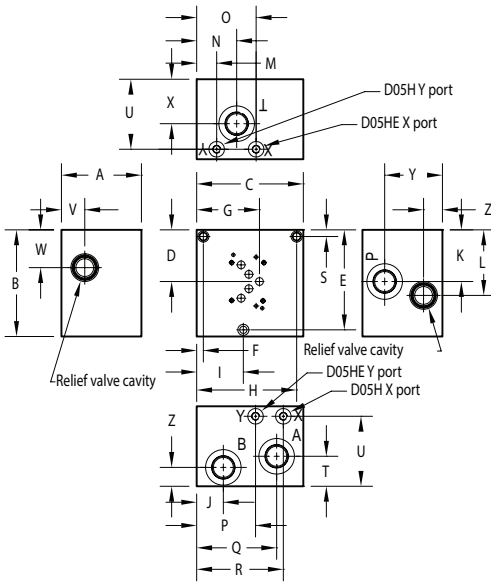
Relief Cavity	
C	Common cavity C-10-2 on D05H (P in nose) C-10-2 for valves w/1" hex max. C-16-2 on D05J (P in nose)
S	Sun Cavity T-3A on D05H (P in nose) T-16A on D05J (P in nose) See Tech Info for valves

P, T, A, B Port Threads			X & Y port size (reference)	
D05H only		D05J only		
12P	0.75-14 NPTF ANSI B1.20.3	16P	1.00-11.5 NPTF ANSI B1.20.3	0.25-18 NPTF ANSI B1.20.3
12S	-12 SAE ISO 11926; SAE 1926	16S	-16 SAE ISO 11926; SAE 1926	-4 SAE ISO 11926; SAE 1926
12B	0.75-14 BSPP ISO 1179; BS 2779	16B	1.00-11 BSPP ISO 1179; BS 2779	0.25-19 BSPP ISO 1179; BS 2779
12M	M27 x 2.0 ISO 6149	16M	M33 x 2.0 ISO 6149	M10 x 1.0 ISO 6149
12T	0.75-14 BSPT ISO 7; BS 21	16T	1.00-11 BSPT ISO 7; BS 21	0.25-19 BSPT ISO 7; BS 21

D05 High Flow Subplates with Pilot Ports and Relief Cavity

Side Ported Subplate with Cylinder Port
Crossover Relief Cavities

Valve mtg: UNC 0.25-20 x 0.75 DP or
Metric M6-1.0mm ISO 6H x [19.1] DP
Subplate hardware kit is supplied.
See page 135 for itemized list.



Dimension	A	B	C	D	E	F	G	H	I
*D05HSPCR*12*	4.50 [114.3]	5.00 [127.0]	5.00 [127.0]	2.41 [61.1]	4.63 [117.5]	--	3.03 [77.0]	4.63 [117.5]	2.13 [54.0]
*D05JSPCR*16*	4.50 [114.3]	5.00 [127.0]	5.00 [127.0]	2.41 [61.1]	4.63 [117.5]	--	3.03 [77.0]	4.63 [117.5]	2.13 [54.0]
*D05JSPCRS*16*	4.50 [114.3]	6.00 [152.4]	6.00 [152.4]	2.91 [73.8]	5.63 [142.9]	0.38 [9.7]	3.53 [89.7]	5.63 [142.9]	2.63 [66.7]

Dimension	J	K	L	M	N	O	P	Q	R
*D05HSPCR*12*	1.00 [25.4]	2.41 [61.1]	3.00 [76.2]	0.63 [15.9]	2.00 [50.8]	2.85 [72.3]	2.81 [71.4]	4.00 [101.6]	4.38 [111.1]
*D05JSPCR*16*	1.00 [25.4]	2.41 [61.1]	3.00 [76.2]	0.63 [15.9]	1.75 [44.5]	2.85 [72.3]	2.81 [71.4]	4.00 [101.6]	4.38 [111.1]
*D05JSPCRS*16*	1.50 [38.1]	2.91 [73.8]	3.69 [93.7]	1.13 [28.6]	2.25 [57.2]	3.35 [85.0]	3.31 [84.1]	4.50 [114.3]	4.88 [124.0]

Dimension	S	T	U	V	W	X	Y	Z
*D05HSPCR*12*	0.38 [9.5]	1.69 [42.9]	3.94 [100.0]	1.47 [37.3]	1.75 [44.5]	2.50 [63.5]	3.25 [82.6]	1.28 [32.5]
*D05HSPCRS*12*	0.38 [9.5]	1.69 [42.9]	3.94 [100.0]	1.31 [33.3]	1.75 [44.5]	2.50 [63.5]	3.25 [82.6]	1.06 [27.0]
*D05JSPCR*16*	0.38 [9.5]	1.69 [42.9]	3.94 [100.0]	1.31 [33.3]	1.75 [44.5]	2.50 [63.5]	3.25 [82.6]	1.06 [27.0]
*D05JSPCRS*16*	0.38 [9.5]	1.69 [42.9]	3.94 [100.0]	1.31 [33.3]	2.13 [54.0]	2.50 [63.5]	3.25 [82.6]	1.06 [27.0]

Specifications, descriptions, and dimensional data are subject to correction or change without notice or incurring obligation. Download latest catalog page revisions at www.daman.com.

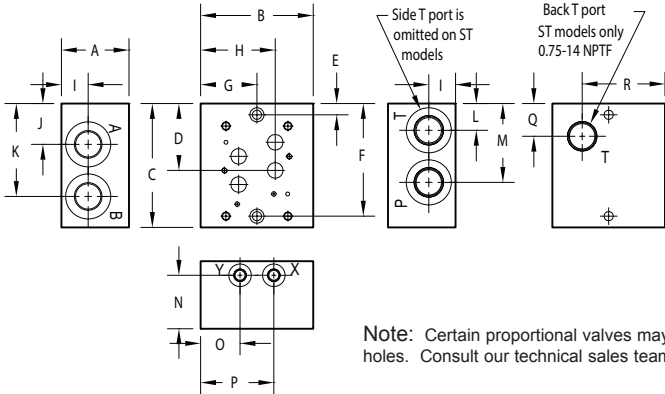
Ordering Information

Material	Valve Pattern	Product Type	Circuit	Relief Cavity	Port Threads																				
Material A Aluminum - 6061-T6 3000† psi • 20.7 MPa D Ductile Iron - D4512 5000† psi • 34.5 MPa † Working pressure should be considered in accordance with ISO 4413 to determine appropriate material type.	Valve Pattern See Tech Information D05H ISO 4401-05-05 NFPA T3.5.1-D05 Alt A & B High flow D05J ISO 4401-05-05 NFPA T3.5.1-D05 Alt A & B Extra high flow	Product Type SP Subplate	Circuit CR Crossover Reliefs A to B and B to A	Relief Cavity C Common cavity C-10-2 on D05H (P in nose) C-10-2 for valves w/1" hex max. C-16-2 on D05J (P in nose) S Sun Cavity T-3A on D05H (P in nose) T-16A on D05J (P in nose) See Tech Info for valves	Port Threads For coating options see pages 245-246. <table border="1"> <thead> <tr> <th colspan="2">P, T, A, B Port Threads</th> <th rowspan="2">X & Y port size (reference)</th> </tr> <tr> <th>D05H only</th> <th>D05J only</th> </tr> </thead> <tbody> <tr> <td>12P 0.75-14 NPTF ANSI B1.20.3</td> <td>16P 1.00-11.5 NPTF ANSI B1.20.3</td> <td>0.25-18 NPTF ANSI B1.20.3</td> </tr> <tr> <td>12S -12 SAE ISO 11926; SAE 1926</td> <td>16S -16 SAE ISO 11926; SAE 1926</td> <td>-4 SAE ISO 11926; SAE 1926</td> </tr> <tr> <td>12B 0.75-14 BSPP ISO 1179; BS 2779</td> <td>16B 1.00-11 BSPP ISO 1179; BS 2779</td> <td>0.25-19 BSPP ISO 1179; BS 2779</td> </tr> <tr> <td>12M M27 x 2.0 ISO 6149</td> <td>16M M33 x 2.0 ISO 6149</td> <td>M10 x 1.0 ISO 6149</td> </tr> <tr> <td>12T 0.75-14 BSPT ISO 7; BS 21</td> <td>16T 1.00-11 BSPT ISO 7; BS 21</td> <td>0.25-19 BSPT ISO 7; BS 21</td> </tr> </tbody> </table>	P, T, A, B Port Threads		X & Y port size (reference)	D05H only	D05J only	12P 0.75-14 NPTF ANSI B1.20.3	16P 1.00-11.5 NPTF ANSI B1.20.3	0.25-18 NPTF ANSI B1.20.3	12S -12 SAE ISO 11926; SAE 1926	16S -16 SAE ISO 11926; SAE 1926	-4 SAE ISO 11926; SAE 1926	12B 0.75-14 BSPP ISO 1179; BS 2779	16B 1.00-11 BSPP ISO 1179; BS 2779	0.25-19 BSPP ISO 1179; BS 2779	12M M27 x 2.0 ISO 6149	16M M33 x 2.0 ISO 6149	M10 x 1.0 ISO 6149	12T 0.75-14 BSPT ISO 7; BS 21	16T 1.00-11 BSPT ISO 7; BS 21	0.25-19 BSPT ISO 7; BS 21
P, T, A, B Port Threads		X & Y port size (reference)																							
D05H only	D05J only																								
12P 0.75-14 NPTF ANSI B1.20.3	16P 1.00-11.5 NPTF ANSI B1.20.3	0.25-18 NPTF ANSI B1.20.3																							
12S -12 SAE ISO 11926; SAE 1926	16S -16 SAE ISO 11926; SAE 1926	-4 SAE ISO 11926; SAE 1926																							
12B 0.75-14 BSPP ISO 1179; BS 2779	16B 1.00-11 BSPP ISO 1179; BS 2779	0.25-19 BSPP ISO 1179; BS 2779																							
12M M27 x 2.0 ISO 6149	16M M33 x 2.0 ISO 6149	M10 x 1.0 ISO 6149																							
12T 0.75-14 BSPT ISO 7; BS 21	16T 1.00-11 BSPT ISO 7; BS 21	0.25-19 BSPT ISO 7; BS 21																							

D07 Subplates

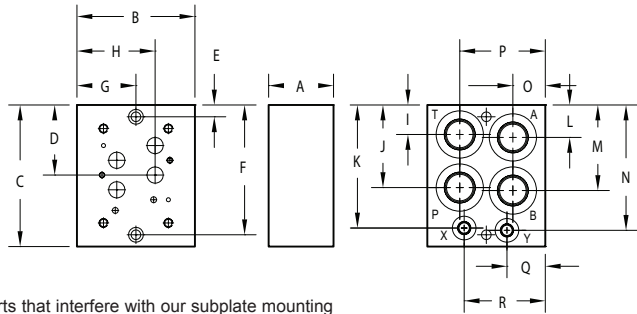
Side Ported Subplate

Valve mtg: UNC 0.25-20 x 0.75 DP and UNC 0.38-16 x 1.00 DP or Metric M6-1.0mm ISO 6H x [19.1] DP and M10-1.5mm ISO 6H x [25.4] DP
Subplate hardware kit is supplied.
 See page 135 for itemized list.



Back Ported Subplate

Valve mtg: UNC 0.25-20 x 0.75 DP and UNC 0.38-16 x 1.00 DP or Metric M6-1.0mm ISO 6H x [19.1] DP and M10-1.5mm ISO 6H x [25.4] DP
Subplate hardware kit is supplied.
 See page 135 for itemized list.



Note: Certain proportional valves may have ports that interfere with our subplate mounting holes. Consult our technical sales team for information or custom subplate pricing.

Dimension	A	B	C	D	E	F	G	H	I	J	K	L	M	N	O	P	Q	R
D07SPSO12	1.75 [44.5]	3.75 [95.3]	4.75 [120.7]	2.34 [59.4]	0.38 [9.5]	4.38 [111.3]	1.88 [47.8]	2.69 [68.3]	0.81 [20.6]	1.50 [38.1]	3.13 [79.5]	1.19 [30.2]	2.78 [70.6]	1.25 [31.8]	1.12 [28.4]	2.62 [66.5]	--	--
D07SPST12	1.75 [44.5]	3.75 [95.3]	4.75 [120.7]	2.34 [59.4]	0.38 [9.5]	4.38 [111.3]	1.88 [47.8]	2.69 [68.3]	0.81 [20.6]	1.50 [38.1]	3.13 [79.5]	--	2.78 [70.6]	1.25 [31.8]	1.12 [28.4]	2.62 [66.5]	1.09 [27.7]	2.69 [68.3]
D07SPSO16	3.00 [76.2]	5.00 [127.0]	5.50 [139.7]	2.97 [75.4]	0.50 [12.7]	5.00 [127.0]	2.50 [63.5]	3.31 [84.2]	1.16 [29.5]	1.81 [46.0]	4.13 [104.8]	1.19 [30.2]	3.50 [88.9]	2.38 [60.3]	1.75 [44.5]	3.25 [82.6]	--	--
*D07SPB12B	1.50 [38.1]	4.00 [101.6]	4.75 [120.7]	2.34 [59.4]	0.38 [9.5]	4.37 [111.0]	2.00 [50.8]	2.81 [71.4]	1.09 [27.7]	2.75 [69.9]	4.00 [101.6]	1.19 [30.2]	2.81 [71.4]	4.09 [103.9]	1.13 [28.7]	2.94 [74.7]	1.13 [28.7]	2.94 [74.7]
*D07SPB12[M,P,S,T]	1.50 [38.1]	4.00 [101.6]	4.75 [120.7]	2.34 [59.4]	0.38 [9.5]	4.37 [111.0]	2.00 [50.8]	2.81 [71.4]	1.09 [27.7]	2.81 [71.4]	4.00 [101.6]	1.25 [31.8]	2.91 [73.9]	4.09 [103.9]	1.13 [28.7]	2.94 [74.7]	1.13 [28.7]	2.94 [74.7]
D07SPB16	2.75 [69.9]	5.00 [101.6]	6.00 [152.4]	2.97 [75.4]	0.50 [12.7]	5.50 [139.7]	2.50 [63.5]	3.31 [84.2]	1.25 [31.8]	3.50 [88.9]	5.31 [134.9]	1.38 [34.9]	3.63 [92.1]	5.31 [134.9]	3.38 [86.3]	3.63 [92.1]	1.63 [41.3]	3.44 [87.3]

Specifications, descriptions, and dimensional data are subject to correction or change without notice or incurring obligation. Download latest catalog page revisions at www.daman.com.

Ordering Information

Material	Valve Pattern	Product Type	Port Location	Port Threads
----------	---------------	--------------	---------------	--------------

For **coating options** see pages 245-246.

Material	
A	Aluminum - 6061-T6 3000† psi • 20.7 MPa
D	Ductile Iron - D4512 5000† psi • 34.5 MPa

† Working pressure should be considered in accordance with ISO 4413 to determine appropriate material type.

Valve Pattern	
D07	ISO 4401-07-06 NFPA T3.5.1-D07 See Tech Information

Port Location	
SO	Side ported
ST	Side P,A,B ports Back T port. Available on 12P and 12S only
B	Back ported

Product Type	
SP	Subplate

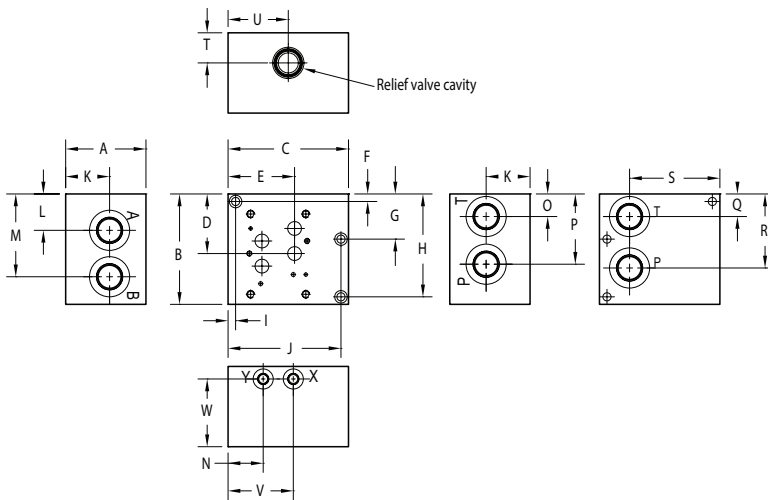
P, T, A, B Port Threads*				X & Y port size (reference)
12P	0.75-14 NPTF ANSI B1.20.3	16P	1.00-11.5 NPTF ANSI B1.20.3	0.25-18 NPTF ANSI B1.20.3
12S	-12 SAE ISO 11926; SAE 1926	16S	-16 SAE ISO 11926; SAE 1926	-6 SAE ISO 11926; SAE 1926
12B	0.75-14 BSPP ISO 1179; BS 2779	16B	1.00-11 BSPP ISO 1179; BS 2779	0.25-19 BSPP ISO 1179; BS 2779
12M	M27 x 2.0 ISO 6149	16M	M33 x 2.0 ISO 6149	M14 x 1.5 ISO 6149
12T	0.75-14 BSPT ISO 7; BS 21	16T	1.00-11 BSPT ISO 7; BS 21	0.25-19 BSPT ISO 7; BS 21

* T port is always 0.75-14 NPTF on ST models.

D07 Subplates with Relief Cavity

Dual Ported Subplate with Main Relief Cavity

Valve mtg: UNC 0.25-20 x 0.50 DP and UNC 0.38-16 x 0.75 DP or
Metric M6-1.0mm ISO 6H x [12.7] DP and M10-1.5mm ISO 6H x [19.1] DP
Subplate hardware kit is supplied.
See page 135 for itemized list.



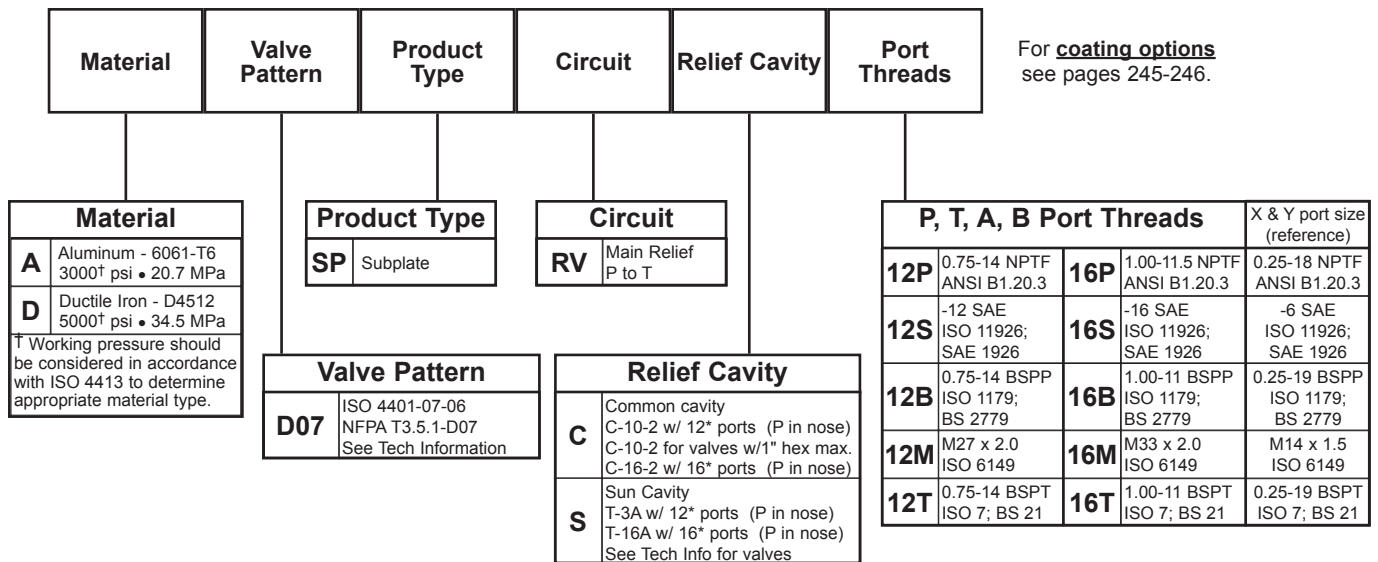
Dimension	A	B	C	D	E	F	G	H
D07SPRVC12	2.75 [69.9]	4.75 [120.7]	4.00 [101.6]	2.34 [59.4]	2.81 [71.4]	0.38 [9.5]	--	4.37 [111.0]
D07SPRVS12	2.50 [63.5]	4.75 [120.7]	4.00 [101.6]	2.34 [59.4]	2.81 [71.4]	0.38 [9.5]	--	4.37 [111.0]
D07SPRVC16	4.00 [101.6]	5.50 [139.7]	6.00 [152.4]	2.97 [75.4]	3.31 [84.2]	0.38 [9.5]	2.25 [57.2]	5.13 [130.2]
D07SPRVS16	4.00 [101.6]	5.50 [139.7]	6.00 [152.4]	2.97 [75.4]	3.31 [84.2]	0.38 [9.5]	2.25 [57.2]	5.13 [130.2]

Dimension	I	J	K	L	M	N	O	P
D07SPRVC12	1.38 [35.1]	2.00 [50.8]	1.50 [38.1]	1.50 [38.1]	3.12 [79.2]	1.19 [30.2]	1.19 [30.2]	2.78 [70.6]
D07SPRVS12	1.38 [35.1]	2.00 [50.8]	1.25 [31.8]	1.50 [38.1]	3.12 [79.2]	1.19 [30.2]	1.19 [30.2]	2.78 [70.6]
D07SPRVC16	0.38 [9.5]	5.63 [142.9]	2.19 [55.6]	1.81 [46.0]	4.13 [104.8]	1.75 [44.5]	1.00 [25.4]	3.50 [88.9]
D07SPRVS16	0.38 [9.5]	5.63 [142.9]	2.19 [55.6]	1.81 [46.0]	4.13 [104.8]	1.75 [44.5]	1.13 [28.6]	3.50 [88.9]

Dimension	Q	R	S	T	U	V	W
D07SPRVC12	1.13 [28.6]	2.75 [69.9]	2.81 [71.4]	1.75 [44.5]	2.22 [56.4]	2.81 [71.4]	2.25 [57.2]
D07SPRVS12	1.13 [28.6]	2.75 [69.9]	2.81 [71.4]	1.25 [31.8]	2.31 [58.7]	2.81 [71.4]	2.00 [50.8]
D07SPRVC16	1.13 [28.6]	3.69 [93.7]	4.50 [114.3]	1.50 [38.1]	3.00 [76.2]	3.25 [82.6]	3.38 [85.7]
D07SPRVS16	1.13 [28.6]	3.69 [93.7]	4.50 [114.3]	1.63 [41.3]	3.00 [76.2]	3.25 [82.6]	3.38 [85.7]

Specifications, descriptions, and dimensional data are subject to correction or change without notice or incurring obligation. Download latest catalog page revisions at www.daman.com.

Ordering Information

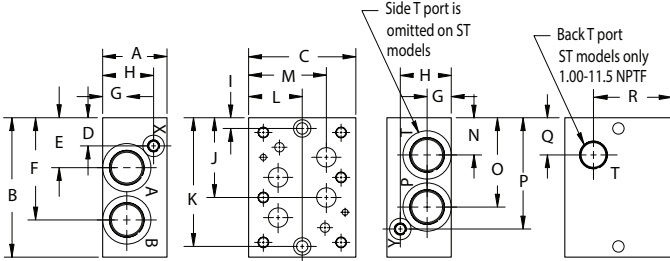


D08 Subplates

Side Ported Subplate

Valve mtg: UNC 0.50-13 x 1.19 DP or Metric M12-1.75mm ISO 6H x [30.2] DP

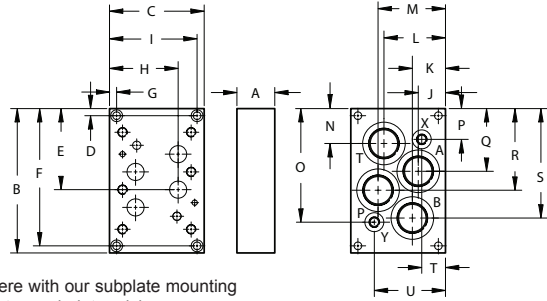
Subplate hardware kit is supplied. See page 135 for itemized list.



Back Ported Subplate

Valve mtg: UNC 0.50-13 x 1.19 DP or Metric M12-1.75mm ISO 6H x [30.2] DP

Subplate hardware kit is supplied. See page 135 for itemized list.



Note: Certain proportional valves may have ports that interfere with our subplate mounting holes. Consult our technical sales team for information or custom subplate pricing.

Dimension	A	B	C	D	E	F	G	H	I	J	K	L	M	N	O	P	Q	R	S	T	U
*D08SPSO12P, *D08SPSO16*	2.00 [50.8]	6.13 [155.7]	4.50 [114.3]	1.19 [30.2]	2.53 [64.3]	4.53 [115.1]	1.00 [25.4]	1.00 [25.4]	0.50 [12.7]	3.53 [89.7]	5.62 [142.7]	2.25 [57.2]	3.38 [85.9]	1.56 [39.7]	3.59 [91.2]	4.94 [125.5]	--	--	--	--	--
*D08SPST12P, *D08SPST16*	2.00 [50.8]	6.13 [155.7]	4.50 [114.3]	1.19 [30.2]	2.53 [64.3]	4.53 [115.1]	1.00 [25.4]	1.00 [25.4]	0.50 [12.7]	3.53 [89.7]	5.62 [142.7]	2.25 [57.2]	3.38 [85.9]	--	3.59 [91.2]	4.94 [125.5]	1.66 [42.1]	3.38 [85.9]	--	--	--
D08SPSO20	3.00 [76.2]	6.50 [165.1]	5.00 [127.0]	1.31 [33.3]	2.33 [59.2]	4.77 [121.2]	1.13 [28.6]	1.13 [28.6]	0.50 [12.7]	3.72 [94.5]	6.00 [152.4]	2.50 [63.5]	3.63 [92.2]	1.73 [43.9]	4.17 [105.9]	5.19 [131.8]	--	--	--	--	--
*D08SPSO20M	4.00 [101.6]	6.50 [165.1]	5.00 [127.0]	1.38 [34.9]	2.33 [59.2]	4.77 [121.2]	1.63 [41.3]	3.13 [79.4]	0.50 [12.7]	3.72 [94.5]	6.00 [152.4]	2.50 [63.5]	3.63 [92.2]	1.73 [43.9]	4.17 [105.9]	5.13 [130.2]	--	--	--	--	--
*D08SPB16B	1.50 [38.1]	6.13 [155.7]	4.63 [117.6]	0.50 [12.7]	3.53 [89.7]	5.62 [142.7]	2.31 [58.7]	3.44 [87.4]	--	1.19 [30.2]	1.19 [30.2]	3.44 [87.4]	3.44 [87.4]	1.53 [38.9]	5.16 [131.0]	0.97 [24.6]	2.47 [62.7]	3.66 [92.9]	4.59 [116.7]	1.25 [31.8]	3.38 [85.9]
*D08SPB12P, *D08SPB16[M,PS,T]	1.50 [38.1]	6.13 [155.7]	4.63 [117.6]	0.50 [12.7]	3.53 [89.7]	5.62 [142.7]	2.31 [58.7]	3.44 [87.4]	--	1.19 [30.2]	1.19 [30.2]	3.44 [87.4]	3.44 [87.4]	1.66 [42.2]	4.94 [125.5]	1.19 [30.2]	2.59 [65.8]	3.53 [89.7]	4.47 [113.5]	1.25 [31.8]	3.38 [85.9]
D08SPB20	2.00 [50.8]	7.63 [193.8]	5.00 [127.0]	0.38 [9.7]	4.28 [108.7]	7.25 [184.2]	0.38 [9.7]	3.63 [92.2]	4.63 [117.6]	1.44 [36.6]	1.75 [44.5]	3.25 [82.6]	3.56 [90.4]	1.84 [46.7]	6.00 [152.4]	1.63 [41.3]	3.31 [84.1]	4.31 [109.5]	5.78 [146.8]	1.44 [36.6]	3.56 [90.4]

Specifications, descriptions, and dimensional data are subject to correction or change without notice or incurring obligation. Download latest catalog page revisions at www.daman.com.

Ordering Information

Material	Valve Pattern	Product Type	Port Location	Port Threads
----------	---------------	--------------	---------------	--------------

For **coating options** see pages 245-246.

Material	
A	Aluminum - 6061-T6 3000 [†] psi • 20.7 MPa
D	Ductile Iron - D4512 5000 [†] psi • 34.5 MPa

[†] Working pressure should be considered in accordance with ISO 4413 to determine appropriate material type.

Product Type	
SP	Subplate

Valve Pattern	
D08	ISO 4401-08-07 NFPA T3.5.1-D08 See Tech Information

Port Location	
SO	Side ported
ST	Side P,A,B ports; back T port. Available on 12P, 16P and 16S only
B	Back ported

P, T, A, B Port Threads*				X & Y port size (reference)
12P	0.75-14 NPTF ANSI B1.20.3			0.25-18 NPTF ANSI B1.20.3
16P	1.00-11.5 NPTF ANSI B1.20.3	20P	1.25-11.5 NPTF ANSI B1.20.3	0.25-18 NPTF ANSI B1.20.3
16S	-16 SAE ISO 11926; SAE 1926	20S	-20 SAE ISO 11926; SAE 1926	-6 SAE ISO 11926; SAE 1926
16B	1.00-11 BSPP ISO 1179; BS 2779	20B	1.25-11 BSPP ISO 1179; BS 2779	0.25-19 BSPP ISO 1179; BS 2779
16M	M33 x 2.0 ISO 6149	20M	M42 x 2.0 ISO 6149	M14 x 1.5 ISO 6149
16T	1.00-11 BSPT ISO 7; BS 21	20T	1.25-11 BSPT ISO 7; BS 21	0.25-19 BSPT ISO 7; BS 21

* T port is always 1.00-11.5 NPTF on ST models.

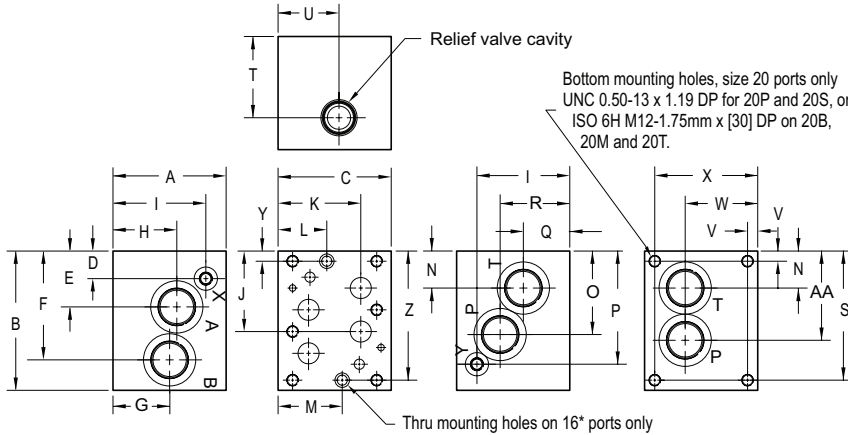
D08 Subplates with Relief Valve

Dual Ported Subplate with Main Relief Cavity

Valve mtg: UNC 0.50-13 x 1.19 DP or
Metric M12-1.75mm ISO 6H x [30.2] DP

Subplate hardware kit is supplied.

See page 135 for itemized list.



Note: Certain proportional valves may have ports that interfere with our subplate mounting holes. Consult our technical sales team for information or custom subplate pricing.

Dimension	A	B	C	D	E	F	G
D08SPRVC16	3.00 [76.2]	6.00 [152.4]	4.50 [114.3]	0.91 [23.1]	2.41 [61.2]	4.53 [115.1]	1.87 [47.5]
D08SPRVS16	3.00 [76.2]	6.00 [152.4]	4.50 [114.3]	0.91 [23.1]	2.41 [61.2]	4.53 [115.1]	1.87 [47.5]
*D08SPRV*20*	4.88 [124.0]	6.00 [152.4]	4.88 [124.0]	1.19 [30.2]	2.41 [61.2]	4.69 [119.1]	2.75 [69.9]
*D08SPRV*20M	4.88 [124.0]	6.00 [152.4]	4.88 [124.0]	1.19 [30.2]	2.41 [61.2]	4.69 [119.1]	2.00 [50.8]

Dimension	H	I	J	K	L	M	N
D08SPRVC16	1.87 [47.5]	1.25 [31.8]	3.47 [88.1]	3.38 [85.9]	1.68 [42.7]	2.56 [65.0]	1.47 [37.3]
D08SPRVS16	1.87 [47.5]	1.25 [31.8]	3.47 [88.1]	3.38 [85.9]	1.68 [42.7]	2.56 [65.0]	1.47 [37.3]
*D08SPRV*20*	2.75 [69.9]	4.00 [101.6]	3.47 [88.1]	3.56 [90.4]	--	--	1.59 [40.4]
*D08SPRV*20M	2.75 [69.9]	4.00 [101.6]	3.47 [88.1]	3.56 [90.4]	--	--	1.59 [40.4]

Dimension	O	P	Q	R	S	T	U
D08SPRVC16	3.59 [91.2]	5.09 [129.3]	1.87 [47.5]	1.87 [47.5]	--	1.25 [31.8]	2.47 [62.7]
D08SPRVS16	3.59 [91.2]	5.09 [129.3]	1.87 [47.5]	1.87 [47.5]	--	1.87 [47.5]	2.81 [71.4]
*D08SPRV*20*	3.60 [91.4]	4.88 [124.0]	2.00 [50.8]	3.00 [76.2]	5.56 [141.2]	3.50 [88.9]	2.63 [66.7]
*D08SPRV*20M	4.00 [101.6]	4.88 [124.0]	2.00 [50.8]	2.38 [60.3]	5.56 [141.2]	3.50 [88.9]	2.63 [66.7]

Dimension	V	W	X	Y	Z	AA
D08SPRVC16	--	3.50 [88.9]	--	0.44 [11.2]	5.56 [141.2]	3.59 [91.2]
D08SPRVS16	--	3.50 [88.9]	--	0.44 [11.2]	5.56 [141.2]	3.59 [91.2]
*D08SPRV*20*	0.44 [11.2]	3.13 [79.5]	4.44 [112.8]	--	--	3.84 [97.6]
*D08SPRV*20M	0.44 [11.2]	3.13 [79.5]	4.44 [112.8]	--	--	4.00 [101.6]

Specifications, descriptions, and dimensional data are subject to correction or change without notice or incurring obligation. Download latest catalog page revisions at www.daman.com.

Ordering Information

Material	Valve Pattern	Product Type	Circuit	Relief Cavity	Port Threads																																																											
<table border="1"> <thead> <tr> <th colspan="2">Material</th> </tr> </thead> <tbody> <tr> <td>A</td> <td>Aluminum - 6061-T6 3000† psi • 20.7 MPa</td> </tr> <tr> <td>D</td> <td>Ductile Iron - D4512 5000† psi • 34.5 MPa</td> </tr> </tbody> </table> <p>† Working pressure should be considered in accordance with ISO 4413 to determine appropriate material type.</p>	Material		A	Aluminum - 6061-T6 3000† psi • 20.7 MPa	D	Ductile Iron - D4512 5000† psi • 34.5 MPa	<table border="1"> <thead> <tr> <th colspan="2">Valve Pattern</th> </tr> </thead> <tbody> <tr> <td>D08</td> <td>ISO 4401-08-07 NFPA T3.5.1-D08 See Technical Info</td> </tr> </tbody> </table>	Valve Pattern		D08	ISO 4401-08-07 NFPA T3.5.1-D08 See Technical Info	<table border="1"> <thead> <tr> <th colspan="2">Product Type</th> </tr> </thead> <tbody> <tr> <td>SP</td> <td>Subplate</td> </tr> </tbody> </table>	Product Type		SP	Subplate	<table border="1"> <thead> <tr> <th colspan="2">Circuit</th> </tr> </thead> <tbody> <tr> <td>RV</td> <td>Main Relief P to T</td> </tr> </tbody> </table>	Circuit		RV	Main Relief P to T	<table border="1"> <thead> <tr> <th colspan="2">Relief Cavity</th> </tr> </thead> <tbody> <tr> <td>C</td> <td>Common cavity C-10-2 w/ 16* ports (P in nose) C-10-2 for valves w/1" hex max. C-16-2 w/ 20* ports (P in nose)</td> </tr> <tr> <td>S</td> <td>Sun Cavity T-3A w/ 16* ports (P in nose) T-16A w/ 20* ports (P in nose) See Tech Info for valves</td> </tr> </tbody> </table>	Relief Cavity		C	Common cavity C-10-2 w/ 16* ports (P in nose) C-10-2 for valves w/1" hex max. C-16-2 w/ 20* ports (P in nose)	S	Sun Cavity T-3A w/ 16* ports (P in nose) T-16A w/ 20* ports (P in nose) See Tech Info for valves	<table border="1"> <thead> <tr> <th colspan="3">P, T, A, B Port Threads</th> <th colspan="2">X & Y port size (reference)</th> </tr> </thead> <tbody> <tr> <td>16P</td> <td>1.00-11.5 NPTF ANSI B1.20.3</td> <td>20P</td> <td>1.25-11.5 NPTF ANSI B1.20.3</td> <td colspan="2">0.25-18 NPTF ANSI B1.20.3</td> </tr> <tr> <td>16S</td> <td>-16 SAE ISO 11926; SAE 1926</td> <td>20S</td> <td>-20 SAE ISO 11926; SAE 1926</td> <td colspan="2">-6 SAE ISO 11926; SAE 1926</td> </tr> <tr> <td>16B</td> <td>1.00-11 BSPP ISO 1179; BS 2779</td> <td>20B</td> <td>1.25-11 BSPP ISO 1179; BS 2779</td> <td colspan="2">0.25-19 BSPP ISO 1179; BS 2779</td> </tr> <tr> <td>16M</td> <td>M33 x 2.0 ISO 6149</td> <td>20M</td> <td>M42 x 2.0 ISO 6149</td> <td colspan="2">M14 x 1.5 ISO 6149</td> </tr> <tr> <td>16T</td> <td>1.00-11 BSPT ISO 7; BS 21</td> <td>20T</td> <td>1.25-11 BSPT ISO 7; BS 21</td> <td colspan="2">0.25-19 BSPT ISO 7; BS 21</td> </tr> </tbody> </table>	P, T, A, B Port Threads			X & Y port size (reference)		16P	1.00-11.5 NPTF ANSI B1.20.3	20P	1.25-11.5 NPTF ANSI B1.20.3	0.25-18 NPTF ANSI B1.20.3		16S	-16 SAE ISO 11926; SAE 1926	20S	-20 SAE ISO 11926; SAE 1926	-6 SAE ISO 11926; SAE 1926		16B	1.00-11 BSPP ISO 1179; BS 2779	20B	1.25-11 BSPP ISO 1179; BS 2779	0.25-19 BSPP ISO 1179; BS 2779		16M	M33 x 2.0 ISO 6149	20M	M42 x 2.0 ISO 6149	M14 x 1.5 ISO 6149		16T	1.00-11 BSPT ISO 7; BS 21	20T	1.25-11 BSPT ISO 7; BS 21	0.25-19 BSPT ISO 7; BS 21	
Material																																																																
A	Aluminum - 6061-T6 3000† psi • 20.7 MPa																																																															
D	Ductile Iron - D4512 5000† psi • 34.5 MPa																																																															
Valve Pattern																																																																
D08	ISO 4401-08-07 NFPA T3.5.1-D08 See Technical Info																																																															
Product Type																																																																
SP	Subplate																																																															
Circuit																																																																
RV	Main Relief P to T																																																															
Relief Cavity																																																																
C	Common cavity C-10-2 w/ 16* ports (P in nose) C-10-2 for valves w/1" hex max. C-16-2 w/ 20* ports (P in nose)																																																															
S	Sun Cavity T-3A w/ 16* ports (P in nose) T-16A w/ 20* ports (P in nose) See Tech Info for valves																																																															
P, T, A, B Port Threads			X & Y port size (reference)																																																													
16P	1.00-11.5 NPTF ANSI B1.20.3	20P	1.25-11.5 NPTF ANSI B1.20.3	0.25-18 NPTF ANSI B1.20.3																																																												
16S	-16 SAE ISO 11926; SAE 1926	20S	-20 SAE ISO 11926; SAE 1926	-6 SAE ISO 11926; SAE 1926																																																												
16B	1.00-11 BSPP ISO 1179; BS 2779	20B	1.25-11 BSPP ISO 1179; BS 2779	0.25-19 BSPP ISO 1179; BS 2779																																																												
16M	M33 x 2.0 ISO 6149	20M	M42 x 2.0 ISO 6149	M14 x 1.5 ISO 6149																																																												
16T	1.00-11 BSPT ISO 7; BS 21	20T	1.25-11 BSPT ISO 7; BS 21	0.25-19 BSPT ISO 7; BS 21																																																												

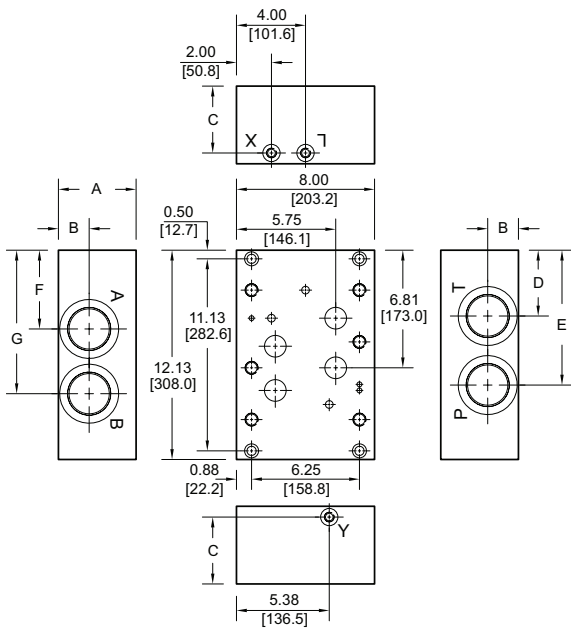
For **coating options** see pages 245-246.

Custom Products
Standard Manifolds
Cover Plates
Valve Adaptors
Subplates
Servo Valve Subplates
Tapping Plates
Cartridge Valve Cavities
Header and Junction Blocks
Technical Information

D10 Subplates

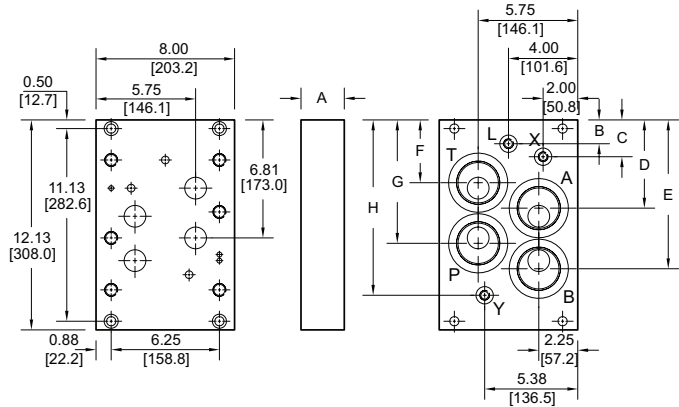
Side Ported Subplate

Valve mtg: UNC 0.75-10 x 1.63 [41.3] DP
 Subplate hardware kit is supplied.
 See page 136 for itemized list.



Back Ported Subplate

Valve mtg: UNC 0.75-10 x 1.63 [41.3] DP
 Subplate hardware kit is supplied.
 See page 136 for itemized list.



Dimension	A	B	C	D	E	F	G	H
*D10SPSO20P	3.50 [88.9]	1.75 [44.5]	2.88 [73.0]	3.81 [96.8]	7.13 [181.0]	5.22 [132.6]	8.31 [211.2]	--
D10SPSO24	4.00 [101.6]	1.75 [44.5]	3.38 [85.7]	3.81 [96.8]	7.13 [181.0]	5.22 [132.6]	8.31 [211.2]	--
D10SPSO32	4.50 [114.3]	1.78 [45.2]	3.88 [98.4]	3.81 [96.8]	7.81 [198.4]	4.56 [115.9]	8.31 [211.2]	--
*D10SPB20P	2.00 [50.8]	2.31 [58.7]	3.94 [100.0]	5.81 [147.6]	8.61 [218.7]	3.94 [100.0]	6.81 [173.0]	8.94 [227.0]
D10SPB24	2.50 [63.5]	1.38 [34.9]	2.13 [54.0]	5.09 [129.4]	8.59 [218.3]	3.63 [92.1]	7.13 [181.0]	10.13 [257.2]

Specifications, descriptions, and dimensional data are subject to correction or change without notice or incurring obligation.
 Download latest catalog page revisions at www.daman.com.

Ordering Information

Material	Valve Pattern	Product Type	Port Location	Port Threads
----------	---------------	--------------	---------------	--------------

For **coating options**
 see pages 245-246.

Material	
A	Aluminum - 6061-T6 3000 [†] psi • 20.7 MPa
D	Ductile Iron - D4512 5000 [†] psi • 34.5 MPa

[†] Working pressure should be considered in accordance with ISO 4413 to determine appropriate material type.

Product Type	
SP	Subplate

P, T, A, B Port Threads				X, Y, & L port size (reference)
20P	1.25-11.5 NPTF ANSI B1.20.3			0.38-18 NPTF ANSI B1.20.3
24P	1.50-11.5 NPTF ANSI B1.20.3	32P	2.00-11.5 NPTF ANSI B1.20.3	0.38-18 NPTF ANSI B1.20.3
24S	-24 SAE ISO 11926; SAE 1926	32S	-32 SAE ISO 11926; SAE 1926	-6 SAE ISO 11926; SAE 1926

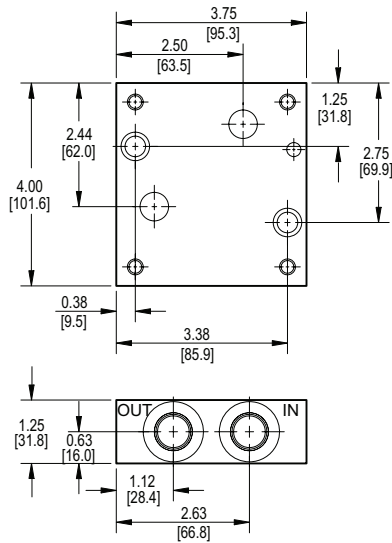
Valve Pattern	
D10	ISO 4401-10-08 NFPA T3.5.1-D10 See Tech Information

Port Location	
SO	Side ported
B	Back ported

2F06, 2F07 Flow Control Subplates

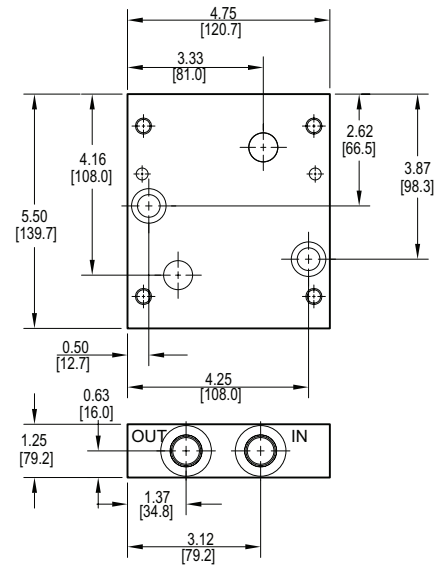
2F06 Side Ported Subplate

Valve mtg: UNC 0.31-18 x 0.88 DP
 Subplate hardware kit is supplied.
 See page 136 for itemized list.



2F07 Side Ported Subplate

Valve mtg: UNC 0.38-16 x 1.00 DP
 Subplate hardware kit is supplied.
 See page 136 for itemized list.



Specifications, descriptions, and dimensional data are subject to correction or change without notice or incurring obligation. Download latest catalog page revisions at www.daman.com.

Ordering Information

Material	Valve Pattern	Product Type	Port Location	Port Threads
----------	---------------	--------------	---------------	--------------

For **coating options** see pages 245-246.

Material	
A	Aluminum - 6061-T6 3000 [†] psi • 20.7 MPa
D	Ductile Iron - D4512 5000 [†] psi • 34.5 MPa
[†] Working pressure should be considered in accordance with ISO 4413 to determine appropriate material type.	

Product Type	
SP	Subplate

Port Threads	
2F06 only	
6P	0.38-18 NPTF ANSI B1.20.3
2F06 or 2F07	
8P	0.50-14 NPTF ANSI B1.20.3
8S	-8 SAE ISO 11926; SAE 1926

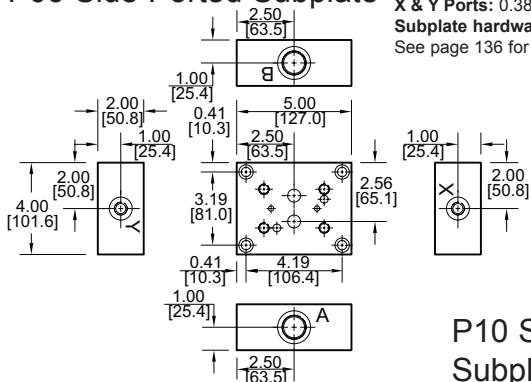
Valve Pattern	
2F06	ISO 6263-06-05 NFPA T3.5.1-2F06 See Tech Information
2F07	ISO 6263-07-09 NFPA T3.5.1-2F07 See Tech Information

Port Location	
S	Side ported

Custom Products
 Standard Manifolds
 Cover Plates
 Valve Adaptors
 Subplates
 Servo Valve Subplates
 Tapping Plates
 Cartridge Valve Cavity Bodies
 Header and Junction Blocks
 Technical Information

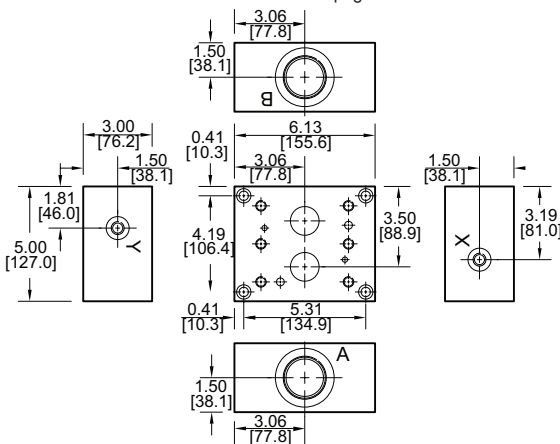
P06, P08, P10 Pressure Control Subplates

P06 Side Ported Subplate



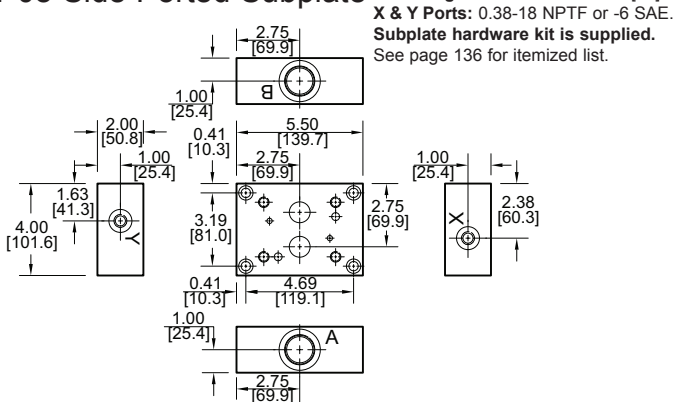
Valve mtg: UNC 0.38-16 x 1.00 [25] DP
 X & Y Ports: 0.38-18 NPTF or -6 SAE.
 Subplate hardware kit is supplied.
 See page 136 for itemized list.

P10 Side Ported Subplate



Valve mtg: UNC 0.38-16 x 1.00 [25] DP
 X & Y Ports: 0.38-18 NPTF or -6 SAE.
 Subplate hardware kit is supplied.
 See page 136 for itemized list.

P08 Side Ported Subplate



Valve mtg: UNC 0.38-16 x 1.00 [25] DP
 X & Y Ports: 0.38-18 NPTF or -6 SAE.
 Subplate hardware kit is supplied.
 See page 136 for itemized list.

Specifications, descriptions, and dimensional data are subject to correction or change without notice or incurring obligation.
 Download latest catalog page revisions at www.daman.com.

Ordering Information

Material	Valve Pattern	Product Type	Port Location	Port Threads
----------	---------------	--------------	---------------	--------------

For **coating options**
 see pages 245-246.

Material	
A	Aluminum - 6061-T6 3000† psi • 20.7 MPa
D	Ductile Iron - D4512 5000† psi • 34.5 MPa

† Working pressure should be considered in accordance with ISO 4413 to determine appropriate material type.

Valve Pattern	
P06	ISO 6264-06-07 ISO 5781-06-07 NFPA T3.5.1-[R]P06 See Tech Information
P08	ISO 6264-08-11 ISO 5781-08-10 NFPA T3.5.1-[R]P08 See Tech Information
P10	ISO 6264-10-15 ISO 5781-10-13 NFPA T3.5.1-[R]P10 See Tech Information

Port Location	
S	Side ported

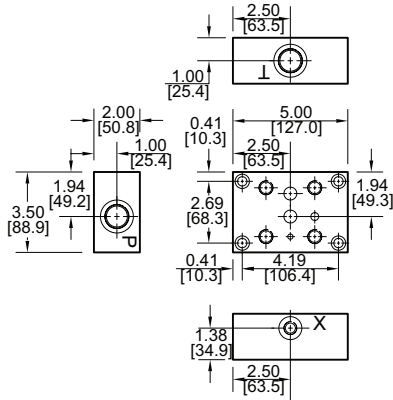
Product Type	
SP	Subplate

Port Threads			
P06 only			
08P	0.50-14 NPTF ANSI B1.20.3	08S	-8 SAE ISO 11926; SAE 1926
P06 or P08			
12P	0.75-14 NPTF ANSI B1.20.3	12S	-12 SAE ISO 11926; SAE 1926
P08 only			
16P	1.00-11.5 NPTF ANSI B1.20.3	16S	-16 SAE ISO 11926; SAE 1926
P10 only			
20P	1.25-11.5 NPTF ANSI B1.20.3	20S	-20 SAE ISO 11926; SAE 1926
24P	1.50-11.5 NPTF ANSI B1.20.3	24S	-24 SAE ISO 11926; SAE 1926

R06, R08, I08, R10, I10 Relief Valve Subplates

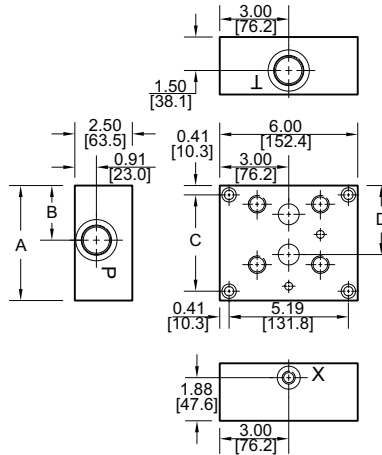
R06 (I06) Side Ported Subplate

Valve mtg: UNC 0.50-13 x 1.00 [25] DP
X Port: 0.38-18 NPTF or -6 SAE.
Subplate hardware kit is supplied.
 See page 136 for itemized list.



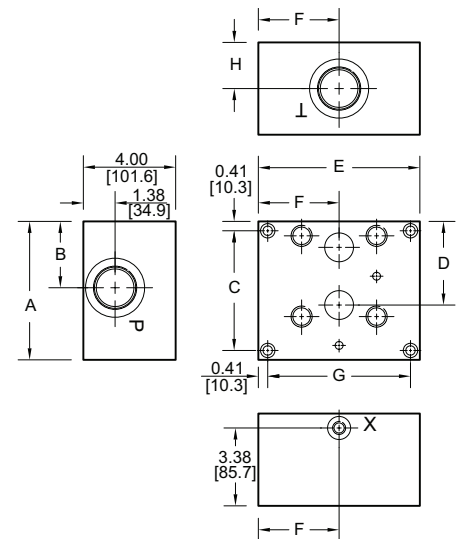
R08, I08 Side Ported Subplate

Valve mtg: UNC 0.63-11 x 1.44 [36] DP
X Port: 0.38-18 NPTF or -6 SAE.
Subplate hardware kit is supplied.
 See page 136 for itemized list.



R10, I10 Side Ported Subplate

Valve mtg: UNC 0.75-10 x 1.63 [41] DP
X Port: 0.38-18 NPTF or -6 SAE.
Subplate hardware kit is supplied.
 See page 136 for itemized list.



Dimension	A	B	C	D	E	F	G	H
R08SPS12	5.00 [127.0]	** See Note	4.19 [106.4]	3.00 [76.2]	--	--	--	--
R08SPS16	4.50 [114.3]	2.44 [61.9]	3.69 [93.7]	2.75 [69.9]	--	--	--	--
I08SPS12	4.50 [114.3]	2.44 [61.9]	3.69 [93.7]	2.75 [69.9]	--	--	--	--
I08SPS16	4.50 [114.3]	2.44 [61.9]	3.69 [93.7]	2.75 [69.9]	--	--	--	--
R10SPS20	6.00 [152.4]	2.88 [73.0]	5.19 [131.8]	3.63 [92.1]	7.00 [177.8]	3.50 [88.9]	6.19 [157.2]	2.00 [50.8]
R10SPS24	6.00 [152.4]	2.88 [73.0]	5.19 [131.8]	3.63 [92.1]	7.00 [177.8]	3.50 [88.9]	6.19 [157.2]	2.00 [50.8]
I10SPS20	5.00 [127.0]	2.38 [60.3]	4.19 [106.4]	3.06 [77.8]	7.38 [187.3]	3.69 [93.7]	6.56 [166.7]	2.63 [66.7]
I10SPS24	5.00 [127.0]	2.38 [60.3]	4.19 [106.4]	3.06 [77.8]	7.38 [187.3]	3.69 [93.7]	6.56 [166.7]	2.63 [66.7]

** Dimension "B" for *R08SPS12* is 2.50 [63.5].
 Dimension "B" for *R08SPS16* is 2.38 [60.3].

Specifications, descriptions, and dimensional data are subject to correction or change without notice or incurring obligation. Download latest catalog page revisions at www.daman.com.

Ordering Information

Material	Valve Pattern	Product Type	Port Location	Port Threads																																																																				
<table border="1"> <thead> <tr> <th colspan="2">Material</th> </tr> </thead> <tbody> <tr> <td>A</td> <td>Aluminum - 6061-T6 3000[†] psi • 20.7 MPa</td> </tr> <tr> <td>D</td> <td>Ductile Iron - D4512 5000[†] psi • 34.5 MPa</td> </tr> <tr> <td colspan="2"> [†] Working pressure should be considered in accordance with ISO 4413 to determine appropriate material type. </td> </tr> </tbody> </table>	Material		A	Aluminum - 6061-T6 3000 [†] psi • 20.7 MPa	D	Ductile Iron - D4512 5000 [†] psi • 34.5 MPa	[†] Working pressure should be considered in accordance with ISO 4413 to determine appropriate material type.		<table border="1"> <thead> <tr> <th colspan="2">Valve Pattern</th> </tr> </thead> <tbody> <tr> <td>R06</td> <td>ISO 6264-06-09 NFPA T3.5.1-R06 See Tech Information</td> </tr> <tr> <td>R08</td> <td>ISO 6264-08-13 NFPA T3.5.1-R08 See Tech Information</td> </tr> <tr> <td>I08</td> <td>NFPA T3.5.1-RV08 See Tech Information</td> </tr> <tr> <td>R10</td> <td>ISO 6264-10-17 NFPA T3.5.1-R10 See Tech Information</td> </tr> <tr> <td>I10</td> <td>NFPA T3.5.1-RV10 See Tech Information</td> </tr> </tbody> </table>	Valve Pattern		R06	ISO 6264-06-09 NFPA T3.5.1-R06 See Tech Information	R08	ISO 6264-08-13 NFPA T3.5.1-R08 See Tech Information	I08	NFPA T3.5.1-RV08 See Tech Information	R10	ISO 6264-10-17 NFPA T3.5.1-R10 See Tech Information	I10	NFPA T3.5.1-RV10 See Tech Information	<table border="1"> <thead> <tr> <th colspan="2">Product Type</th> </tr> </thead> <tbody> <tr> <td>SP</td> <td>Subplate</td> </tr> </tbody> </table>	Product Type		SP	Subplate	<table border="1"> <thead> <tr> <th colspan="2">Port Location</th> </tr> </thead> <tbody> <tr> <td>S</td> <td>Side ported</td> </tr> </tbody> </table>	Port Location		S	Side ported	<table border="1"> <thead> <tr> <th colspan="4">Port Threads</th> </tr> <tr> <th colspan="4">R06 only</th> </tr> </thead> <tbody> <tr> <td>08P</td> <td>0.50-14 NPTF ANSI B1.20.3</td> <td>08S</td> <td>-8 SAE ISO 11926; SAE 1926</td> </tr> <tr> <th colspan="4">R06, R08, or I08</th> </tr> <tr> <td>12P</td> <td>0.75-14 NPTF ANSI B1.20.3</td> <td>12S</td> <td>-12 SAE ISO 11926; SAE 1926</td> </tr> <tr> <th colspan="4">R08 or I08</th> </tr> <tr> <td>16P</td> <td>1.00-11.5 NPTF ANSI B1.20.3</td> <td>16S</td> <td>-16 SAE ISO 11926; SAE 1926</td> </tr> <tr> <th colspan="4">R10 or I10</th> </tr> <tr> <td>20P</td> <td>1.25-11.5 NPTF ANSI B1.20.3</td> <td>20S</td> <td>-20 SAE ISO 11926; SAE 1926</td> </tr> <tr> <td>24P</td> <td>1.50-11.5 NPTF ANSI B1.20.3</td> <td>24S</td> <td>-24 SAE ISO 11926; SAE 1926</td> </tr> </tbody> </table>	Port Threads				R06 only				08P	0.50-14 NPTF ANSI B1.20.3	08S	-8 SAE ISO 11926; SAE 1926	R06, R08, or I08				12P	0.75-14 NPTF ANSI B1.20.3	12S	-12 SAE ISO 11926; SAE 1926	R08 or I08				16P	1.00-11.5 NPTF ANSI B1.20.3	16S	-16 SAE ISO 11926; SAE 1926	R10 or I10				20P	1.25-11.5 NPTF ANSI B1.20.3	20S	-20 SAE ISO 11926; SAE 1926	24P	1.50-11.5 NPTF ANSI B1.20.3	24S	-24 SAE ISO 11926; SAE 1926
Material																																																																								
A	Aluminum - 6061-T6 3000 [†] psi • 20.7 MPa																																																																							
D	Ductile Iron - D4512 5000 [†] psi • 34.5 MPa																																																																							
[†] Working pressure should be considered in accordance with ISO 4413 to determine appropriate material type.																																																																								
Valve Pattern																																																																								
R06	ISO 6264-06-09 NFPA T3.5.1-R06 See Tech Information																																																																							
R08	ISO 6264-08-13 NFPA T3.5.1-R08 See Tech Information																																																																							
I08	NFPA T3.5.1-RV08 See Tech Information																																																																							
R10	ISO 6264-10-17 NFPA T3.5.1-R10 See Tech Information																																																																							
I10	NFPA T3.5.1-RV10 See Tech Information																																																																							
Product Type																																																																								
SP	Subplate																																																																							
Port Location																																																																								
S	Side ported																																																																							
Port Threads																																																																								
R06 only																																																																								
08P	0.50-14 NPTF ANSI B1.20.3	08S	-8 SAE ISO 11926; SAE 1926																																																																					
R06, R08, or I08																																																																								
12P	0.75-14 NPTF ANSI B1.20.3	12S	-12 SAE ISO 11926; SAE 1926																																																																					
R08 or I08																																																																								
16P	1.00-11.5 NPTF ANSI B1.20.3	16S	-16 SAE ISO 11926; SAE 1926																																																																					
R10 or I10																																																																								
20P	1.25-11.5 NPTF ANSI B1.20.3	20S	-20 SAE ISO 11926; SAE 1926																																																																					
24P	1.50-11.5 NPTF ANSI B1.20.3	24S	-24 SAE ISO 11926; SAE 1926																																																																					

For **coating options** see pages 245-246.

Custom Products
 Standard Manifolds
 Cover Plates
 Valve Adaptors
 Subplates
 Servo Valve Subplates
 Tapping Plates
 Cartridge Valve Cavity Bodies
 Header and Junction Blocks
 Technical Information

Subplate Mounting Hardware

Part no.	Cat. pg.	Mounting Screws	Plugs
* D02 SP * 4P, 4S	114	(2) UNC 0.25-20 x 0.88 long SHCS	n/a
* D02 SP * 4B, 4M, 4T	114	(2) ISO 6H M6-1.0 x 22mm SHCS	n/a
* D03 SP * 4P, 6P, 6S	115	(2) UNC 0.25-20 x 0.88 long SHCS	n/a
* D03 SP * 6B, 6M, 6T	115	(2) ISO 6H M6-1.0 x 22mm SHCS	n/a
* D03 SP * 8P, 8S	115	(2) UNC 0.25-20 x 1.50 long SHCS	n/a
* D03 SP * 8B, 8M, 8T	115	(2) ISO 6H M6-1.0 x 40mm SHCS	n/a
* D03 SP S 12P, 12S	115	(2) UNC 0.38-16 x 1.75 long SHCS	n/a
* D03 SP S 12B, 12M, 12T	115	(2) ISO 6H M10-1.5 x 45mm SHCS	n/a
* D03 SP B 12P, 12S	115	(2) UNC 0.38-16 x 1.50 long SHCS	n/a
* D03 SP B 12B, 12M, 12T	115	(2) ISO 6H M10-1.5 x 40mm SHCS	n/a
* D03 SP SB 6P	116	(2) UNC 0.25-20 x 1.50 long SHCS	(2) 0.38-18 NPTF LSPP
* D03 SP SB 6S	116		(2) -6 SAE hex socket plug
* D03 SP SB 6B, 6M, 6T	116	(2) ISO 6H M6-1.0 x 40mm SHCS	n/a
* D03 SP SB 8P	116	(2) UNC 0.25-20 x 2.00 long SHCS	(2) 0.50-14 NPTF LSPP
* D03 SP SB 8S	116		(2) -8 SAE hex socket plug
* D03 SP SB 8B, 8M, 8T	116	(2) ISO 6H M6-1.0 x 50mm SHCS	n/a
* D03 SP M 8*	116	(4) UNC 0.31-18 x 2.50 long SHCS	n/a
* D03 SP RV * 6P	117	(2) UNC 0.31-18 x 2.25 long SHCS	(2) 0.38-18 NPTF LSPP
* D03 SP RV * 6S	117		(2) -6 SAE hex socket plug
* D03 SP RV * 6B, 6M, 6T	117	(2) ISO 6H M8-1.25 x 60mm SHCS	n/a
* D03 SP RV * 8P	117	(2) UNC 0.38-16 x 3.00 long SHCS	(2) 0.50-14 NPTF LSPP
* D03 SP RV * 8S	117		(2) -8 SAE hex socket plug
* D03 SP RV * 8B, 8M, 8T	117	(2) ISO 6H M10-1.5 x 75mm SHCS	n/a
* D03 SP RV * 12P	117	(2) UNC 0.38-16 x 3.00 long SHCS	(2) 0.75-14 NPTF LSPP
* D03 SP RV * 12S	117		(2) -12 SAE hex socket plug
* D03 SP RV * 12B, 12M, 12T	117	(2) ISO 6H M10-1.5 x 75mm SHCS	n/a
* D03 SP CR * 6P, 6S	118	(2) UNC 0.31-18 x 2.50 long SHCS	n/a
* D03 SP CR * 6B, 6M, 6T	118	(2) ISO 6H M8-1.25 x 65mm SHCS	n/a
* D03 SP CR * 12P, 12S	118	(2) UNC 0.38-16 x 4.00 long SHCS	n/a
* D03 SP CR * 12B, 12M, 12T	118	(2) ISO 6H M10-1.5 x 100mm SHCS	n/a
* D05 SP S 6P, 8P, 8S	119	(2) UNC 0.38-16 x 1.25 long SHCS	n/a
* D05 SP S 8B, 8M, 8T	119	(2) ISO 6H M10-1.5 x 35mm SHCS	n/a
* D05 SP B 6P, 8P, 8S	119	(2) UNC 0.38-16 x 1.25 long SHCS	n/a
* D05 SP B 8B, 8M, 8T	119	(2) ISO 6H M10-1.5 x 35mm SHCS	n/a
* D05 SP SB 8P	120	(2) UNC 0.38-16 x 1.50 long SHCS	(2) 0.50-14 NPTF LSPP
* D05 SP SB 8S	120		(2) -8 SAE hex socket plug
* D05 SP SB 8B, 8M, 8T	120	(2) ISO 6H M10-1.5 x 40mm SHCS	n/a
* D05H(E) SP * 12P, 12S	121, 122	(2) UNC 0.38-16 x 1.75 long SHCS	n/a
* D05H(E) SP * 12B, 12M, 12T	121, 122	(2) ISO 6H M10-1.5 x 45mm SHCS	n/a
* D05J(E) SP S 16P, 16S	121, 122	(2) UNC 0.38-16 x 3.00 long SHCS	n/a
* D05J(E) SP S 16B, 16M, 16T	121, 122	(2) ISO 6H M10-1.5 x 75mm SHCS	n/a
* D05J(E) SP B 16P, 16S	121, 122	(2) UNC 0.38-16 x 3.25 long SHCS	n/a
* D05J(E) SP B 16B, 16M, 16T	121, 122	(2) ISO 6H M10-1.5 x 90mm SHCS	n/a
* D05 SP RV * 8P	123	(2) UNC 0.38-16 x 2.50 long SHCS	(2) 0.50-14 NPTF LSPP
* D05 SP RV * 8S	123		(2) -8 SAE hex socket plug
* D05 SP RV * 8B, 8M, 8T	123	(2) ISO 6H M10-1.5 x 65mm SHCS	n/a
* D05H SP RV * 12P	124		(2) 0.25-18 NPTF LSPP
* D05H SP RV * 12S	124	(2) UNC 0.38-16 x 3.00 long SHCS	(2) 0.75-14 NPTF LSPP
			(2) -4 SAE hex socket plug
* D05H SP RV * 12B, 12M, 12T	124	(2) ISO 6H M10-1.5 x 75mm SHCS	(2) -12 SAE hex socket plug
			n/a

Subplate Mounting Hardware

Part no.	Cat. pg.	Mounting Screws	Plugs
* D05J SP RV * 16P	124	(2) UNC 0.38-16 x 4.00 long SHCS	(2) 0.25-18 NPTF LSPP
* D05J SP RV * 16S	124		(2) 1.00-11.5 NPTF LSPP
* D05J SP RV * 16B, 16M, 16T	124	(2) ISO 6H M10-1.5 x 100mm SHCS	(2) -4 SAE hex socket plug (2) -16 SAE hex socket plug
* D05 SP CR * 8P, 8S	123	(2) UNC 0.38-16 x 2.00 long SHCS	n/a
* D05 SP CR * 8B, 8M, 8T	123	(2) ISO 6H M10-1.5 x 50mm SHCS	n/a
* D05H SP CR * 12P	125	(2) UNC 0.38-16 x 4.50 long SHCS	(2) 0.25-18 NPTF LSPP
* D05H SP CR * 12S	125		(2) -4 SAE hex socket plug
* D05H SP CR * 12B, 12M, 12T	125	(2) ISO 6H M10-1.5 x 120mm SHCS	n/a
* D05J SP CR * 16P	125	(2) UNC 0.38-16 x 4.50 long SHCS	(2) 0.25-18 NPTF LSPP
* D05J SP CR * 16S	125		(2) -4 SAE hex socket plug
* D05J SP CR * 16B, 16M, 16T	125	(2) ISO 6H M10-1.5 x 120mm SHCS	n/a
* D07 SP S* 12P, 12S	126	(2) UNC 0.38-16 x 1.25 long SHCS	n/a
* D07 SP S* 12B, 12M, 12T	126	(2) ISO 6H M10-1.5 x 35mm SHCS	n/a
* D07 SP SO 16P, 16S	126	(2) UNC 0.38-16 x 3.00 long SHCS	n/a
* D07 SP SO 16B, 16M, 16T	126	(2) ISO 6H M10-1.5 x 75mm SHCS	n/a
* D07 SP B 12P, 12S	126	(2) UNC 0.38-16 x 1.50 long SHCS	n/a
* D07 SP B 12B, 12M, 12T	126	(2) ISO 6H M10-1.5 x 35mm SHCS	n/a
* D07 SP B 16P, 16S	126	(2) UNC 0.38-16 x 2.75 long SHCS	n/a
* D07 SP B 16B, 16M, 16T	126	(2) ISO 6H M10-1.5 x 70mm SHCS	n/a
* D07 SP RV C 12P	127	(2) UNC 0.38-16 x 2.75 long SHCS	(2) 0.75-14 NPTF LSPP
* D07 SP RV C 12S	127		(2) -12 SAE hex socket plug
* D07 SP RV C 12B, 12M, 12T	127	(2) ISO 6H M10-1.5 x 70mm SHCS	n/a
* D07 SP RV S 12P	127	(2) UNC 0.38-16 x 2.50 long SHCS	(2) 0.75-14 NPTF LSPP
* D07 SP RV S 12S	127		(2) -12 SAE hex socket plug
* D07 SP RV S 12B, 12M, 12T	127	(2) ISO 6H M10-1.5 x 65mm SHCS	n/a
* D07 SP RV * 16P	127	(3) UNC 0.38-16 x 4.00 long SHCS	(2) 1.00-11.5 NPTF LSPP
* D07 SP RV * 16S	127		(2) -16 SAE hex socket plug
* D07 SP RV * 16B, 16M, 16T	127	(3) ISO 6H M10-1.5 x 100mm SHCS	n/a
* D08 SP S* 12P, 16P, 16S	128	(2) UNC 0.50-13 x 1.75 long SHCS	n/a
* D08 SP S* 16B, 16M, 16T	128	(2) ISO 6H M12-1.75 x 45mm SHCS	n/a
* D08 SP SO 20P, 20S	128	(2) UNC 0.50-13 x 3.00 long SHCS	n/a
* D08 SP SO 20B, 20M, 20T	128	(2) ISO 6H M12-1.75 x 100mm SHCS	n/a
* D08 SP B 12P, 16P, 16S	128	(2) UNC 0.50-13 x 1.50 long SHCS	n/a
* D08 SP B 16B, 16M, 16T	128	(2) ISO 6H M12-1.75 x 40mm SHCS	n/a
* D08 SP B 20P, 20S	128	(4) UNC 0.38-16 x 2.00 long SHCS	n/a
* D08 SP B 20B, 20M, 20T	128	(4) ISO 6H M10-1.5 x 50mm SHCS	n/a
* D08 SP RV * 16P	129	(2) UNC 0.38-16 x 3.00 long SHCS	(2) 1.00-11.5 NPTF LSPP
* D08 SP RV * 16S	129		(2) -16 SAE hex socket plug
* D08 SP RV * 16B, 16M, 16T	129	(2) ISO 6H M10-1.5 x 75mm SHCS	n/a
* D08 SP RV * 20P	129	n/a	(2) 1.25-11.5 NPTF LSPP
* D08 SP RV * 20S	129		(2) -20 SAE hex socket plug
* D08 SP RV * 20B, 20M, 20T	129	n/a	n/a

Chart continued on next page

Subplate Mounting Hardware

Part no.	Cat. pg.	Mounting Screws	Plugs
* D10 SP S O 20P	130	(4) UNC 0.50-13 x 3.50 long SHCS	n/a
* D10 SP S O 24P, 24S	130	(4) UNC 0.50-13 x 4.00 long SHCS	n/a
* D10 SP S O 32P, 32S	130	(4) UNC 0.50-13 x 4.50 long SHCS	n/a
* D10 SP B 20P	130	(4) UNC 0.50-13 x 2.00 long SHCS	n/a
* D10 SP B 24P, 24S	130	(4) UNC 0.50-13 x 2.00 long SHCS	n/a
* D10 SP B 32P, 32S	130	(4) UNC 0.50-13 x 2.50 long SHCS	n/a
* 2F06 SP S 6P, 8P, 8S	131	(2) UNC 0.38-16 x 1.25 long SHCS	n/a
* 2F07 SP S 8P, 8S	131	(2) UNC 0.38-16 x 1.25 long SHCS	n/a
* P06 SP S 08P, 08S, 12P, 12S	132	(4) UNC 0.38-16 x 2.00 long SHCS	n/a
* P08 SP S 12P, 12S, 16P, 16S	132	(4) UNC 0.38-16 x 2.00 long SHCS	n/a
* P10 SP S 20P, 20S, 24P, 24S	132	(4) UNC 0.38-16 x 3.00 long SHCS	n/a
* R06 SP S 08P, 08S, 12P, 12S	133	(4) UNC 0.38-16 x 2.00 long SHCS	n/a
* R08 SP S 12P, 12S, 16P, 16S	133	(4) UNC 0.38-16 x 2.50 long SHCS	n/a
* I08 SP S 12P, 12S, 16P, 16S	133	(4) UNC 0.38-16 x 2.50 long SHCS	n/a
* R10 SP S 20P, 20S, 24P, 24S	133	(4) UNC 0.38-16 x 4.00 long SHCS	n/a
* I10 SP S 20P, 20S, 24P, 24S	133	(4) UNC 0.38-16 x 4.00 long SHCS	n/a