

TAPPING PLATES

D03 Tapping Plates	Pages 158-160
D05 Tapping Plates	Pages 161-163
D05 Tapping Plates with Pilot Ports	Pages 164-168
D07 Tapping Plates	Pages 169-172
D08 Tapping Plates	Pages 173-177
D10 Tapping Plates	Page 178
Mounting Hardware	Page 179



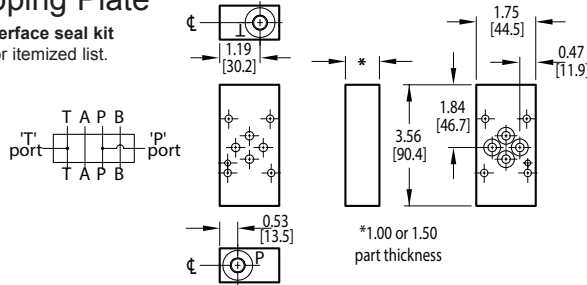
Tapping Plates

The pages in this section are our standard product offerings for tapping plates. If you need a custom tapping plate solution please visit www.daman.com for Request For Quote (RFQ) instructions.

D03 Tapping Plates

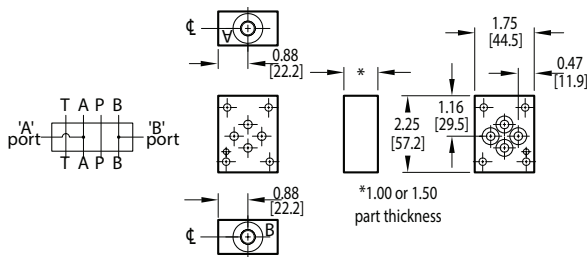
P and T Port Tapping Plate

Tapping Plate hardware / interface seal kit is supplied. See page 179 for itemized list.



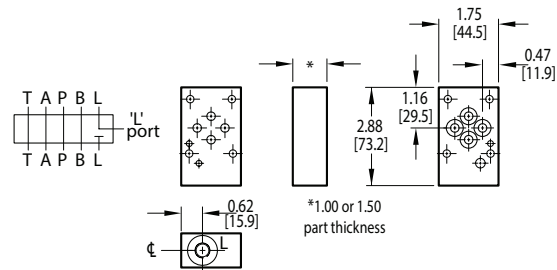
A and B Port Tapping Plate

Tapping Plate hardware / interface seal kit is supplied. See page 179 for itemized list.



L Port Tapping Plate

Tapping Plate hardware / interface seal kit is supplied. See page 179 for itemized list.



Specifications, descriptions, and dimensional data are subject to correction or change without notice or incurring obligation. Download latest catalog page revisions at www.daman.com.

Ordering Information

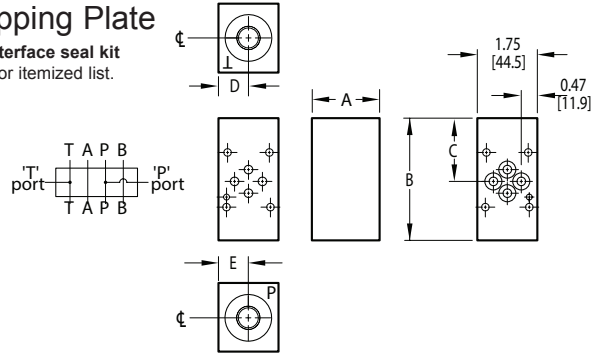
For **coating options** see pages 245-246.

Material	Valve Pattern	Product Type	Circuit	Port Threads	Thickness																																										
<table border="1"> <thead> <tr> <th colspan="2">Material</th> </tr> </thead> <tbody> <tr> <td>A</td> <td>Aluminum - 6061-T6 3000[†] psi • 20.7 MPa</td> </tr> <tr> <td>D</td> <td>Ductile Iron - D4512 5000[†] psi • 34.5 MPa</td> </tr> <tr> <td colspan="2"> [†] Working pressure should be considered in accordance with ISO 4413 to determine appropriate material type. </td> </tr> </tbody> </table>	Material		A	Aluminum - 6061-T6 3000 [†] psi • 20.7 MPa	D	Ductile Iron - D4512 5000 [†] psi • 34.5 MPa	[†] Working pressure should be considered in accordance with ISO 4413 to determine appropriate material type.		<table border="1"> <thead> <tr> <th colspan="2">Valve Pattern</th> </tr> </thead> <tbody> <tr> <td>D03</td> <td>ISO 4401-03-02 NFA T3.5.1-D03 See Tech Infomation</td> </tr> </tbody> </table>	Valve Pattern		D03	ISO 4401-03-02 NFA T3.5.1-D03 See Tech Infomation	<table border="1"> <thead> <tr> <th colspan="2">Product Type</th> </tr> </thead> <tbody> <tr> <td>TP</td> <td>Tapping Plate</td> </tr> </tbody> </table>	Product Type		TP	Tapping Plate	<table border="1"> <thead> <tr> <th colspan="2">Circuit</th> </tr> </thead> <tbody> <tr> <td>PT</td> <td>P and T ports provided</td> </tr> <tr> <td>AB</td> <td>A and B ports provided</td> </tr> <tr> <td>L</td> <td>L port provided</td> </tr> </tbody> </table>	Circuit		PT	P and T ports provided	AB	A and B ports provided	L	L port provided	<table border="1"> <thead> <tr> <th colspan="2">Port Threads</th> </tr> </thead> <tbody> <tr> <td>4P</td> <td>0.25-18 NPTF ANSI B1.20.3</td> </tr> <tr> <td>4S</td> <td>-4 SAE ISO 11926; SAE 1926</td> </tr> <tr> <td>4B</td> <td>0.25-19 BSPP ISO 1179; BS 2779</td> </tr> <tr> <td>4M</td> <td>M10 x 1.0 ISO 6149</td> </tr> <tr> <td>4T</td> <td>0.25-19 BSPT ISO 7; BS 21</td> </tr> </tbody> </table> <p>For larger ports, see next page (p. 158.1).</p>	Port Threads		4P	0.25-18 NPTF ANSI B1.20.3	4S	-4 SAE ISO 11926; SAE 1926	4B	0.25-19 BSPP ISO 1179; BS 2779	4M	M10 x 1.0 ISO 6149	4T	0.25-19 BSPT ISO 7; BS 21	<table border="1"> <thead> <tr> <th colspan="2">Thickness</th> </tr> </thead> <tbody> <tr> <td>150</td> <td>For 1.5" thickness</td> </tr> <tr> <td colspan="2">OMIT for standard 1" thickness</td> </tr> </tbody> </table>	Thickness		150	For 1.5" thickness	OMIT for standard 1" thickness	
Material																																															
A	Aluminum - 6061-T6 3000 [†] psi • 20.7 MPa																																														
D	Ductile Iron - D4512 5000 [†] psi • 34.5 MPa																																														
[†] Working pressure should be considered in accordance with ISO 4413 to determine appropriate material type.																																															
Valve Pattern																																															
D03	ISO 4401-03-02 NFA T3.5.1-D03 See Tech Infomation																																														
Product Type																																															
TP	Tapping Plate																																														
Circuit																																															
PT	P and T ports provided																																														
AB	A and B ports provided																																														
L	L port provided																																														
Port Threads																																															
4P	0.25-18 NPTF ANSI B1.20.3																																														
4S	-4 SAE ISO 11926; SAE 1926																																														
4B	0.25-19 BSPP ISO 1179; BS 2779																																														
4M	M10 x 1.0 ISO 6149																																														
4T	0.25-19 BSPT ISO 7; BS 21																																														
Thickness																																															
150	For 1.5" thickness																																														
OMIT for standard 1" thickness																																															

D03 Tapping Plates - Large Ports

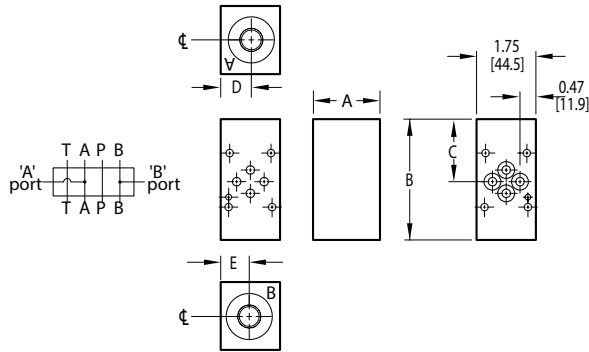
P and T Port Tapping Plate

Tapping Plate hardware / interface seal kit is supplied. See page 179 for itemized list.



A and B Port Tapping Plate

Tapping Plate hardware / interface seal kit is supplied. See page 179 for itemized list.



Dimension	A	B	C	D	E
D03TPPT6	2.00 [50.8]	4.25 [108.0]	1.81 [46.0]	0.88 [22.4]	0.88 [22.4]
D03TPAB6					
D03TPPT8	2.50 [63.5]	4.25 [108.0]	1.81 [46.0]	0.88 [22.4]	0.88 [22.4]
D03TPAB8					
D03TPPT12	3.00 [76.2]	4.75 [120.7]	2.06 [52.3]	0.88 [22.4]	0.88 [22.4]
D03TPAB12					

Ordering Information

For coating options see pages 245-246.



Material	
A	Aluminum - 6061-T6 3000† psi • 20.7 MPa
D	Ductile Iron - D4512 5000† psi • 34.5 MPa

† Working pressure should be considered in accordance with ISO 4413 to determine appropriate material type.

Product Type	
TP	Tapping Plate

Valve Pattern	
D03	ISO 4401-03-02 NFPA T3.5.1-D03 See Tech Information

Circuit	
PT	P and T ports provided
AB	A and B ports provided

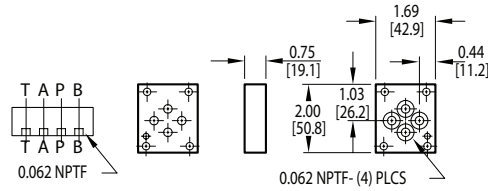
Port Threads			
6P	0.38-18 NPTF ANSI B1.20.3	8P	0.50-14 NPTF ANSI B1.20.3
6S	-6 SAE ISO 11926; SAE 1926	8S	-8 SAE ISO 11926; SAE 1926
6B	0.38-19 BSPP ISO 1179; BS 2779	8B	0.50-14 BSPP ISO 1179; BS 2779
6M	M14 x 1.5 ISO 6149	8M	M18 x 1.5 ISO 6149
6T	0.38-19 BSPT ISO 7; BS 21	8T	0.50-14 BSPT ISO 7; BS 21
12P	0.75-14 NPTF ANSI B1.20.3	12S	-12 SAE ISO 11926; SAE 1926
12B	0.75-14 BSPP ISO 1179; BS 2779	12M	M27 x 2.0 ISO 6149
12T	0.75-14 BSPT ISO 7; BS 21		

For smaller ports, see previous page (p. 158).

D03 Tapping Plates

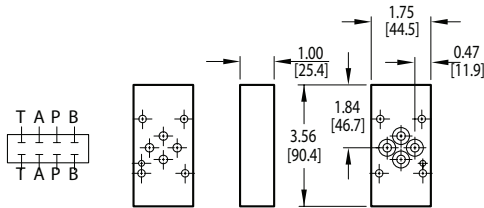
Orifice Tapping Plate

Tapping Plate hardware / interface seal kit is supplied. See page 179 for itemized list.



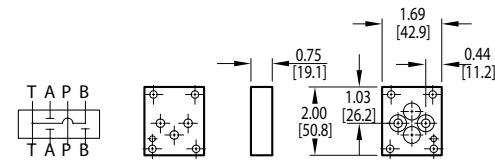
Spot Drilled Tapping Plate

Tapping Plate hardware / interface seal kit is supplied. See page 179 for itemized list.



B to T vent Tapping Plate

Tapping Plate hardware / interface seal kit is supplied. See page 179 for itemized list.



Specifications, descriptions, and dimensional data are subject to correction or change without notice or incurring obligation. Download latest catalog page revisions at www.daman.com.

Ordering Information

Material	Valve Pattern	Product Type	Circuit
----------	---------------	--------------	---------

For **coating options** see pages 245-246.

Material	
A	Aluminum - 6061-T6 3000 [†] psi • 20.7 MPa
D	Ductile Iron - D4512 5000 [†] psi • 34.5 MPa

[†] Working pressure should be considered in accordance with ISO 4413 to determine appropriate material type.

Product Type	
TP	Tapping Plate

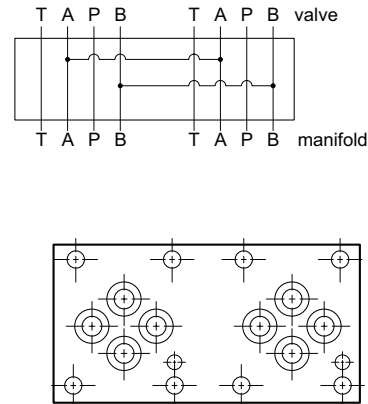
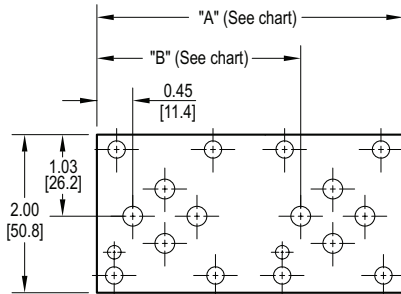
Valve Pattern	
D03	ISO 4401-03-02 NFPA T3.5.1-D03 See Tech Infomation

Circuit	
SD	Spot drilled ports
OP	Orifice plate
BTV	B to T vent plate

D03 Tapping Plates

D03 Two Station Tapping Plate A₁ common to A₂, B₁ common to B₂

Tapping Plate hardware / interface seal kit is supplied. See page 179 for itemized list.



Dimension	A	B
*D03TP022AB	3.88 [98.6]	2.58 [65.5]
*D03TP024AB	5.75 [146.1]	4.45 [113.1]
L*D03TP022AB	3.75 [95.3]	2.45 [62.3]

There are two different tapping plate models with spacing code 2 available. This is necessary to cover the variation of valve spacing between the standard design and the FlexMount design of D03 manifolds. The standard manifold design has 2.125" valve spacing while the FlexMount design has 2.000" valve spacing. An L is added to the front of the model number to denote the tapping plate designed to be used with the FlexMount manifold. Note that a single model is required with spacing code 4 as both the standard and FlexMount designs have 4.000 spacing.

Specifications, descriptions, and dimensional data are subject to correction or change without notice or incurring obligation. Download latest catalog page revisions at www.daman.com.

Ordering Information

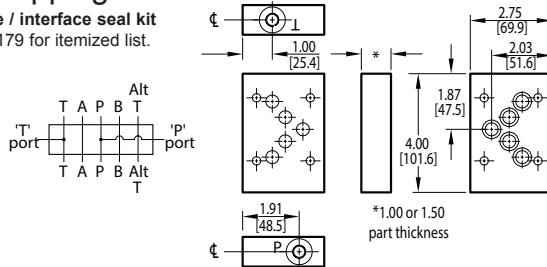
For **coating options** see pages 245-246.

Product Line	Material	Valve Pattern	Product Type	No. of Stations	Valve Spacing	Circuit																																				
<table border="1"> <tr> <th colspan="2">Product Line</th> </tr> <tr> <td>Omit</td> <td>For use with standard design D03 manifold.</td> </tr> <tr> <td>L</td> <td>For use with FlexMount D03 manifold. Spacing code 2 only.</td> </tr> </table>	Product Line		Omit	For use with standard design D03 manifold.	L	For use with FlexMount D03 manifold. Spacing code 2 only.	<table border="1"> <tr> <th colspan="2">Material</th> </tr> <tr> <td>A</td> <td>Aluminum - 6061-T6 3000† psi • 20.7 MPa</td> </tr> <tr> <td>D</td> <td>Ductile Iron - D4512 5000† psi • 34.5 MPa</td> </tr> <tr> <td colspan="2">† Working pressure should be considered in accordance with ISO 4413 to determine appropriate material type.</td> </tr> </table>	Material		A	Aluminum - 6061-T6 3000† psi • 20.7 MPa	D	Ductile Iron - D4512 5000† psi • 34.5 MPa	† Working pressure should be considered in accordance with ISO 4413 to determine appropriate material type.		<table border="1"> <tr> <th colspan="2">Valve Pattern</th> </tr> <tr> <td>D03</td> <td>ISO 4401-03-02 NFPA T3.5.1-D03 See Tech Information</td> </tr> </table>	Valve Pattern		D03	ISO 4401-03-02 NFPA T3.5.1-D03 See Tech Information	<table border="1"> <tr> <th colspan="2">Product Type</th> </tr> <tr> <td>TP</td> <td>Tapping Plate</td> </tr> </table>	Product Type		TP	Tapping Plate	<table border="1"> <tr> <th colspan="2">No. of Stations</th> </tr> <tr> <td>02</td> <td>02 Stations</td> </tr> </table>	No. of Stations		02	02 Stations	<table border="1"> <tr> <th colspan="2">Valve Spacing</th> </tr> <tr> <td>2</td> <td>L*D03TP022AB = 2.00 inch (50.8 mm) *D03TP022AB = 2.13 inch (54.0 mm)</td> </tr> <tr> <td>4</td> <td>4.00 inch (101.6 mm) Not available with L.</td> </tr> </table>	Valve Spacing		2	L*D03TP022AB = 2.00 inch (50.8 mm) *D03TP022AB = 2.13 inch (54.0 mm)	4	4.00 inch (101.6 mm) Not available with L.	<table border="1"> <tr> <th colspan="2">Circuit</th> </tr> <tr> <td>AB</td> <td>A1 common to A2 B1 common to B2</td> </tr> </table>	Circuit		AB	A1 common to A2 B1 common to B2
Product Line																																										
Omit	For use with standard design D03 manifold.																																									
L	For use with FlexMount D03 manifold. Spacing code 2 only.																																									
Material																																										
A	Aluminum - 6061-T6 3000† psi • 20.7 MPa																																									
D	Ductile Iron - D4512 5000† psi • 34.5 MPa																																									
† Working pressure should be considered in accordance with ISO 4413 to determine appropriate material type.																																										
Valve Pattern																																										
D03	ISO 4401-03-02 NFPA T3.5.1-D03 See Tech Information																																									
Product Type																																										
TP	Tapping Plate																																									
No. of Stations																																										
02	02 Stations																																									
Valve Spacing																																										
2	L*D03TP022AB = 2.00 inch (50.8 mm) *D03TP022AB = 2.13 inch (54.0 mm)																																									
4	4.00 inch (101.6 mm) Not available with L.																																									
Circuit																																										
AB	A1 common to A2 B1 common to B2																																									

D05 Tapping Plates

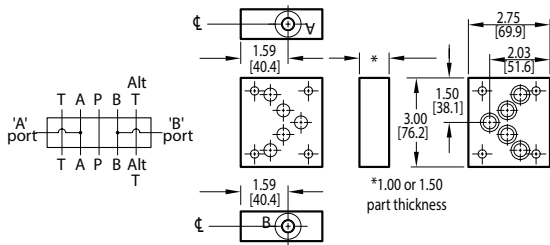
P and T Port Tapping Plate

Tapping Plate hardware / interface seal kit is supplied. See page 179 for itemized list.



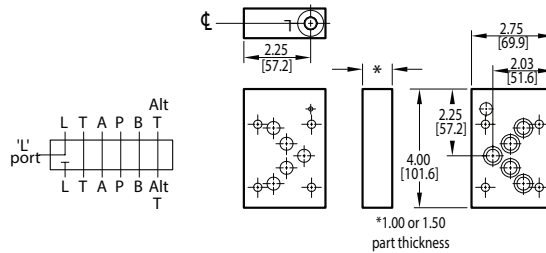
A and B Port Tapping Plate

Tapping Plate hardware / interface seal kit is supplied. See page 179 for itemized list.



L Port Tapping Plate

Tapping Plate interface seal kit is supplied. See page 179 for itemized list.



Specifications, descriptions, and dimensional data are subject to correction or change without notice or incurring obligation. Download latest catalog page revisions at www.daman.com.

Ordering Information

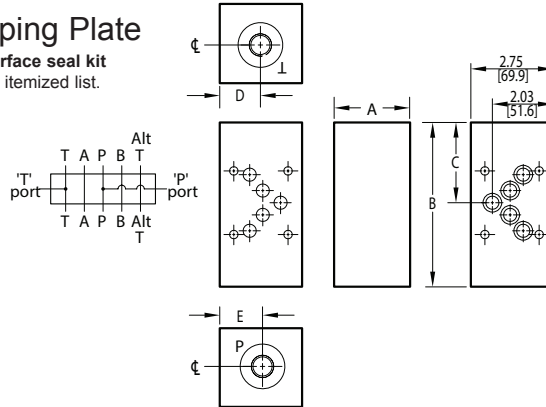
For **coating options** see pages 245-246.

Material	Valve Pattern	Product Type	Circuit	Port Threads	Thickness																																										
<table border="1"> <thead> <tr> <th colspan="2">Material</th> </tr> </thead> <tbody> <tr> <td>A</td> <td>Aluminum - 6061-T6 3000[†] psi • 20.7 MPa</td> </tr> <tr> <td>D</td> <td>Ductile Iron - D4512 5000[†] psi • 34.5 MPa</td> </tr> <tr> <td colspan="2"> [†] Working pressure should be considered in accordance with ISO 4413 to determine appropriate material type. </td> </tr> </tbody> </table>	Material		A	Aluminum - 6061-T6 3000 [†] psi • 20.7 MPa	D	Ductile Iron - D4512 5000 [†] psi • 34.5 MPa	[†] Working pressure should be considered in accordance with ISO 4413 to determine appropriate material type.		<table border="1"> <thead> <tr> <th colspan="2">Valve Pattern</th> </tr> </thead> <tbody> <tr> <td>D05</td> <td>ISO 4401-05-04 NFFA T3.5.1-D05 See Tech Infomation</td> </tr> </tbody> </table>	Valve Pattern		D05	ISO 4401-05-04 NFFA T3.5.1-D05 See Tech Infomation	<table border="1"> <thead> <tr> <th colspan="2">Product Type</th> </tr> </thead> <tbody> <tr> <td>TP</td> <td>Tapping Plate</td> </tr> </tbody> </table>	Product Type		TP	Tapping Plate	<table border="1"> <thead> <tr> <th colspan="2">Circuit</th> </tr> </thead> <tbody> <tr> <td>PT</td> <td>P and T ports provided</td> </tr> <tr> <td>AB</td> <td>A and B ports provided</td> </tr> <tr> <td>L</td> <td>L port provided</td> </tr> </tbody> </table>	Circuit		PT	P and T ports provided	AB	A and B ports provided	L	L port provided	<table border="1"> <thead> <tr> <th colspan="2">Port Threads</th> </tr> </thead> <tbody> <tr> <td>4P</td> <td>0.25-18 NPTF ANSI B1.20.3</td> </tr> <tr> <td>4S</td> <td>-4 SAE ISO 11926; SAE 1926</td> </tr> <tr> <td>4B</td> <td>0.25-19 BSPP ISO 1179; BS 2779</td> </tr> <tr> <td>4M</td> <td>M10 x 1.0 ISO 6149</td> </tr> <tr> <td>4T</td> <td>0.25-19 BSPT ISO 7; BS 21</td> </tr> </tbody> </table> <p>For larger ports, see next page (p. 161.1).</p>	Port Threads		4P	0.25-18 NPTF ANSI B1.20.3	4S	-4 SAE ISO 11926; SAE 1926	4B	0.25-19 BSPP ISO 1179; BS 2779	4M	M10 x 1.0 ISO 6149	4T	0.25-19 BSPT ISO 7; BS 21	<table border="1"> <thead> <tr> <th colspan="2">Thickness</th> </tr> </thead> <tbody> <tr> <td>150</td> <td>For 1.5" thickness</td> </tr> <tr> <td colspan="2">OMIT for standard 1" thickness</td> </tr> </tbody> </table>	Thickness		150	For 1.5" thickness	OMIT for standard 1" thickness	
Material																																															
A	Aluminum - 6061-T6 3000 [†] psi • 20.7 MPa																																														
D	Ductile Iron - D4512 5000 [†] psi • 34.5 MPa																																														
[†] Working pressure should be considered in accordance with ISO 4413 to determine appropriate material type.																																															
Valve Pattern																																															
D05	ISO 4401-05-04 NFFA T3.5.1-D05 See Tech Infomation																																														
Product Type																																															
TP	Tapping Plate																																														
Circuit																																															
PT	P and T ports provided																																														
AB	A and B ports provided																																														
L	L port provided																																														
Port Threads																																															
4P	0.25-18 NPTF ANSI B1.20.3																																														
4S	-4 SAE ISO 11926; SAE 1926																																														
4B	0.25-19 BSPP ISO 1179; BS 2779																																														
4M	M10 x 1.0 ISO 6149																																														
4T	0.25-19 BSPT ISO 7; BS 21																																														
Thickness																																															
150	For 1.5" thickness																																														
OMIT for standard 1" thickness																																															

D05 Tapping Plates - Large Ports

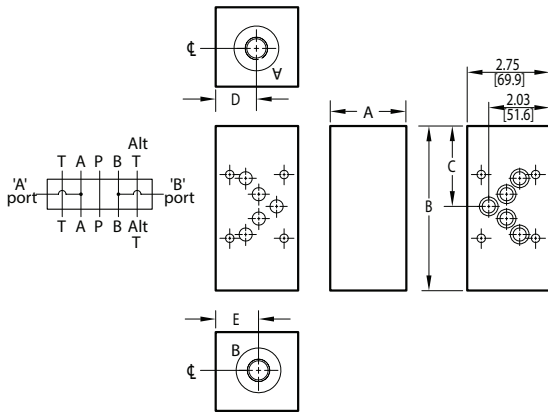
P and T Port Tapping Plate

Tapping Plate hardware / interface seal kit is supplied. See page 179 for itemized list.



A and B Port Tapping Plate

Tapping Plate hardware / interface seal kit is supplied. See page 179 for itemized list.



Dimension	A	B	C	D	E
D05TPPT6	2.00 [50.8]	5.63 [143.0]	2.75 [69.9]	1.06 [26.9]	1.56 [39.6]
D05TPAB6	2.00 [50.8]	5.63 [143.0]	2.75 [69.9]	1.63 [41.4]	1.63 [41.4]
D05TPPT8	2.50 [63.5]	5.63 [143.0]	2.75 [69.9]	1.06 [26.9]	1.56 [39.6]
D05TPAB8	2.50 [63.5]	5.63 [143.0]	2.75 [69.9]	1.63 [41.4]	1.63 [41.4]
D05TPPT12	3.00 [76.2]	5.63 [143.0]	2.75 [69.9]	1.06 [26.9]	1.56 [39.6]
D05TPAB12	3.00 [76.2]	5.63 [143.0]	2.75 [69.9]	1.63 [41.4]	1.63 [41.4]

Ordering Information

For coating options see pages 245-246.



Material	
A	Aluminum - 6061-T6 3000† psi • 20.7 MPa
D	Ductile Iron - D4512 5000† psi • 34.5 MPa

† Working pressure should be considered in accordance with ISO 4413 to determine appropriate material type.

Product Type	
TP	Tapping Plate

Valve Pattern	
D05	ISO 4401-05-04 NFPA T3.5.1-D05 See Tech Information

Circuit	
PT	P and T ports provided
AB	A and B ports provided

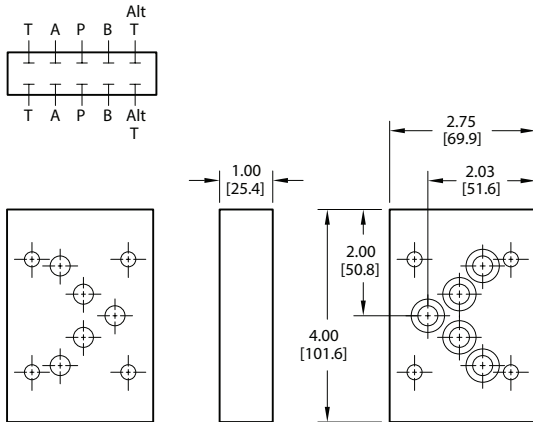
Port Threads			
6P	0.38-18 NPTF ANSI B1.20.3	8P	0.50-14 NPTF ANSI B1.20.3
6S	-6 SAE ISO 11926; SAE 1926	8S	-8 SAE ISO 11926; SAE 1926
6B	0.38-19 BSPP ISO 1179; BS 2779	8B	0.50-14 BSPP ISO 1179; BS 2779
6M	M14 x 1.5 ISO 6149	8M	M18 x 1.5 ISO 6149
6T	0.38-19 BSPT ISO 7; BS 21	8T	0.50-14 BSPT ISO 7; BS 21
12P	0.75-14 NPTF ANSI B1.20.3	12S	-12 SAE ISO 11926; SAE 1926
12B	0.75-14 BSPP ISO 1179; BS 2779	12M	M27 x 2.0 ISO 6149
12T	0.75-14 BSPT ISO 7; BS 21		

For smaller ports, see previous page (p. 161).

D05 Tapping Plates

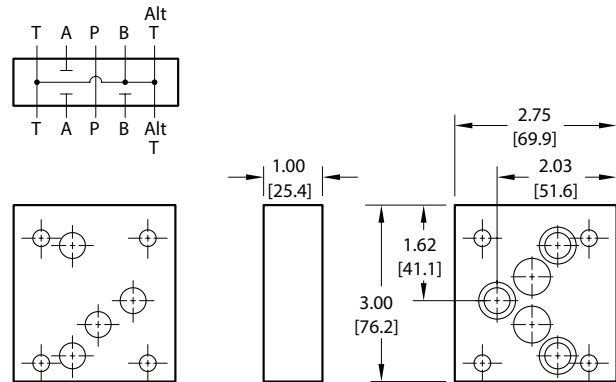
Spot Drilled Tapping Plate

Tapping Plate interface seal kit is supplied.
See page 179.1 for itemized list.



B to T vent Tapping Plate

Tapping Plate interface seal kit is supplied.
See page 179.1 for itemized list.



Specifications, descriptions, and dimensional data are subject to correction or change without notice or incurring obligation. Download latest catalog page revisions at www.daman.com.

Ordering Information

Material	Valve Pattern	Product Type	Circuit																						
<table border="1"> <thead> <tr> <th colspan="2">Material</th> </tr> </thead> <tbody> <tr> <td>A</td> <td>Aluminum - 6061-T6 3000[†] psi • 20.7 MPa</td> </tr> <tr> <td>D</td> <td>Ductile Iron - D4512 5000[†] psi • 34.5 MPa</td> </tr> <tr> <td colspan="2"> [†] Working pressure should be considered in accordance with ISO 4413 to determine appropriate material type. </td> </tr> </tbody> </table>	Material		A	Aluminum - 6061-T6 3000 [†] psi • 20.7 MPa	D	Ductile Iron - D4512 5000 [†] psi • 34.5 MPa	[†] Working pressure should be considered in accordance with ISO 4413 to determine appropriate material type.		<table border="1"> <thead> <tr> <th colspan="2">Valve Pattern</th> </tr> </thead> <tbody> <tr> <td>D05</td> <td>ISO 4401-05-04 NFPA T3.5.1-D05 See Tech Infomation</td> </tr> </tbody> </table>	Valve Pattern		D05	ISO 4401-05-04 NFPA T3.5.1-D05 See Tech Infomation	<table border="1"> <thead> <tr> <th colspan="2">Product Type</th> </tr> </thead> <tbody> <tr> <td>TP</td> <td>Tapping Plate</td> </tr> </tbody> </table>	Product Type		TP	Tapping Plate	<table border="1"> <thead> <tr> <th colspan="2">Circuit</th> </tr> </thead> <tbody> <tr> <td>SD</td> <td>Spot drilled ports</td> </tr> <tr> <td>BTV</td> <td>B to T vent plate</td> </tr> </tbody> </table>	Circuit		SD	Spot drilled ports	BTV	B to T vent plate
Material																									
A	Aluminum - 6061-T6 3000 [†] psi • 20.7 MPa																								
D	Ductile Iron - D4512 5000 [†] psi • 34.5 MPa																								
[†] Working pressure should be considered in accordance with ISO 4413 to determine appropriate material type.																									
Valve Pattern																									
D05	ISO 4401-05-04 NFPA T3.5.1-D05 See Tech Infomation																								
Product Type																									
TP	Tapping Plate																								
Circuit																									
SD	Spot drilled ports																								
BTV	B to T vent plate																								

For **coating options** see pages 245-246.

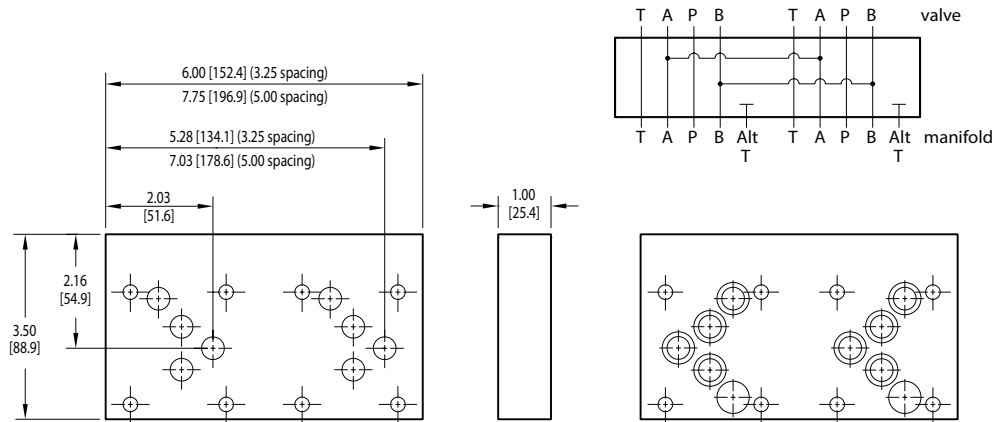
D05 Tapping Plates

D05 Two Station Tapping Plate

A₁ common to A₂, B₁ common to B₂

Tapping Plate interface seal kit is supplied.

See page 179.1 for itemized list.



Specifications, descriptions, and dimensional data are subject to correction or change without notice or incurring obligation. Download latest catalog page revisions at www.daman.com.

Ordering Information

For **coating options** see pages 245-246.

Material	Valve Pattern	Product Type	No. of Stations	Valve Spacing	Circuit																														
<table border="1"> <thead> <tr> <th colspan="2">Material</th> </tr> </thead> <tbody> <tr> <td>A</td> <td>Aluminum - 6061-T6 3000[†] psi • 20.7 MPa</td> </tr> <tr> <td>D</td> <td>Ductile Iron - D4512 5000[†] psi • 34.5 MPa</td> </tr> <tr> <td colspan="2">[†] Working pressure should be considered in accordance with ISO 4413 to determine appropriate material type.</td> </tr> </tbody> </table>	Material		A	Aluminum - 6061-T6 3000 [†] psi • 20.7 MPa	D	Ductile Iron - D4512 5000 [†] psi • 34.5 MPa	[†] Working pressure should be considered in accordance with ISO 4413 to determine appropriate material type.		<table border="1"> <thead> <tr> <th colspan="2">Valve Pattern</th> </tr> </thead> <tbody> <tr> <td>D05</td> <td>ISO 4401-05-04 NFPA T3.5.1-D05 See Tech Information</td> </tr> </tbody> </table>	Valve Pattern		D05	ISO 4401-05-04 NFPA T3.5.1-D05 See Tech Information	<table border="1"> <thead> <tr> <th colspan="2">Product Type</th> </tr> </thead> <tbody> <tr> <td>TP</td> <td>Tapping Plate</td> </tr> </tbody> </table>	Product Type		TP	Tapping Plate	<table border="1"> <thead> <tr> <th colspan="2">No. of Stations</th> </tr> </thead> <tbody> <tr> <td>02</td> <td>02 Stations</td> </tr> </tbody> </table>	No. of Stations		02	02 Stations	<table border="1"> <thead> <tr> <th colspan="2">Valve Spacing</th> </tr> </thead> <tbody> <tr> <td>3</td> <td>3.25 inch 82.6 mm</td> </tr> <tr> <td>5</td> <td>5.00 inch 127.0 mm</td> </tr> </tbody> </table>	Valve Spacing		3	3.25 inch 82.6 mm	5	5.00 inch 127.0 mm	<table border="1"> <thead> <tr> <th colspan="2">Circuit</th> </tr> </thead> <tbody> <tr> <td>AB</td> <td>A1 common to A2 B1 common to B2</td> </tr> </tbody> </table>	Circuit		AB	A1 common to A2 B1 common to B2
Material																																			
A	Aluminum - 6061-T6 3000 [†] psi • 20.7 MPa																																		
D	Ductile Iron - D4512 5000 [†] psi • 34.5 MPa																																		
[†] Working pressure should be considered in accordance with ISO 4413 to determine appropriate material type.																																			
Valve Pattern																																			
D05	ISO 4401-05-04 NFPA T3.5.1-D05 See Tech Information																																		
Product Type																																			
TP	Tapping Plate																																		
No. of Stations																																			
02	02 Stations																																		
Valve Spacing																																			
3	3.25 inch 82.6 mm																																		
5	5.00 inch 127.0 mm																																		
Circuit																																			
AB	A1 common to A2 B1 common to B2																																		

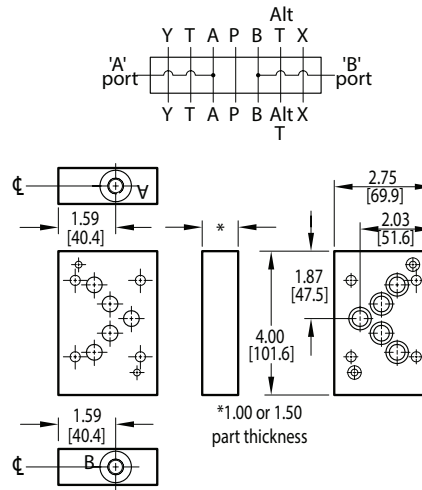
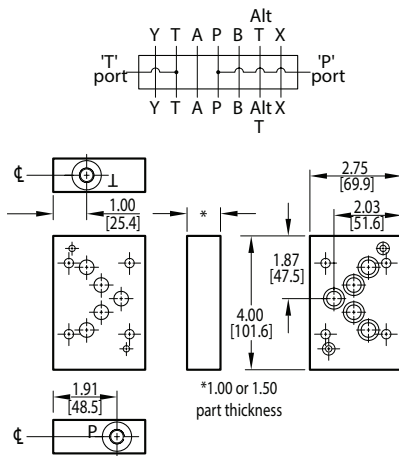
D05 Tapping Plates with USA Pilot Ports

P and T Port Tapping Plate

Tapping Plate hardware / interface seal kit is supplied. See page 179.1 for itemized list.

A and B Port Tapping Plate

Tapping Plate hardware / interface seal kit is supplied. See page 179.1 for itemized list.



Specifications, descriptions, and dimensional data are subject to correction or change without notice or incurring obligation. Download latest catalog page revisions at www.daman.com.

Ordering Information

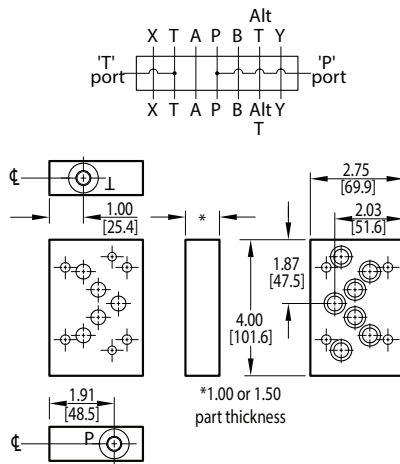
For [coating options](#) see pages 245-246.

Material	Valve Pattern	Product Type	Circuit	Port Threads	Thickness																																								
<table border="1"> <thead> <tr> <th colspan="2">Material</th> </tr> </thead> <tbody> <tr> <td>A</td> <td>Aluminum - 6061-T6 3000[†] psi • 20.7 MPa</td> </tr> <tr> <td>D</td> <td>Ductile Iron - D4512 5000[†] psi • 34.5 MPa</td> </tr> <tr> <td colspan="2">[†] Working pressure should be considered in accordance with ISO 4413 to determine appropriate material type.</td> </tr> </tbody> </table>	Material		A	Aluminum - 6061-T6 3000 [†] psi • 20.7 MPa	D	Ductile Iron - D4512 5000 [†] psi • 34.5 MPa	[†] Working pressure should be considered in accordance with ISO 4413 to determine appropriate material type.		<table border="1"> <thead> <tr> <th colspan="2">Valve Pattern</th> </tr> </thead> <tbody> <tr> <td>D05H</td> <td>(USA std) NFPA T3.5.1-D05 Alt B See Tech Information</td> </tr> </tbody> </table>	Valve Pattern		D05H	(USA std) NFPA T3.5.1-D05 Alt B See Tech Information	<table border="1"> <thead> <tr> <th colspan="2">Product Type</th> </tr> </thead> <tbody> <tr> <td>TP</td> <td>Tapping Plate</td> </tr> </tbody> </table>	Product Type		TP	Tapping Plate	<table border="1"> <thead> <tr> <th colspan="2">Circuit</th> </tr> </thead> <tbody> <tr> <td>PT</td> <td>P and T ports provided</td> </tr> <tr> <td>AB</td> <td>A and B ports provided</td> </tr> </tbody> </table>	Circuit		PT	P and T ports provided	AB	A and B ports provided	<table border="1"> <thead> <tr> <th colspan="2">Port Threads</th> </tr> </thead> <tbody> <tr> <td>4P</td> <td>0.25-18 NPTF ANSI B1.20.3</td> </tr> <tr> <td>4S</td> <td>-4 SAE ISO 11926; SAE 1926</td> </tr> <tr> <td>4B</td> <td>0.25-19 BSPP ISO 1179; BS 2779</td> </tr> <tr> <td>4M</td> <td>M10 x 1.0 ISO 6149</td> </tr> <tr> <td>4T</td> <td>0.25-19 BSPT ISO 7; BS 21</td> </tr> </tbody> </table>	Port Threads		4P	0.25-18 NPTF ANSI B1.20.3	4S	-4 SAE ISO 11926; SAE 1926	4B	0.25-19 BSPP ISO 1179; BS 2779	4M	M10 x 1.0 ISO 6149	4T	0.25-19 BSPT ISO 7; BS 21	<table border="1"> <thead> <tr> <th colspan="2">Thickness</th> </tr> </thead> <tbody> <tr> <td>150</td> <td>For 1.5" thickness</td> </tr> <tr> <td colspan="2">OMIT for standard 1" thickness</td> </tr> </tbody> </table>	Thickness		150	For 1.5" thickness	OMIT for standard 1" thickness	
Material																																													
A	Aluminum - 6061-T6 3000 [†] psi • 20.7 MPa																																												
D	Ductile Iron - D4512 5000 [†] psi • 34.5 MPa																																												
[†] Working pressure should be considered in accordance with ISO 4413 to determine appropriate material type.																																													
Valve Pattern																																													
D05H	(USA std) NFPA T3.5.1-D05 Alt B See Tech Information																																												
Product Type																																													
TP	Tapping Plate																																												
Circuit																																													
PT	P and T ports provided																																												
AB	A and B ports provided																																												
Port Threads																																													
4P	0.25-18 NPTF ANSI B1.20.3																																												
4S	-4 SAE ISO 11926; SAE 1926																																												
4B	0.25-19 BSPP ISO 1179; BS 2779																																												
4M	M10 x 1.0 ISO 6149																																												
4T	0.25-19 BSPT ISO 7; BS 21																																												
Thickness																																													
150	For 1.5" thickness																																												
OMIT for standard 1" thickness																																													

D05 Tapping Plates with ISO Pilot Ports

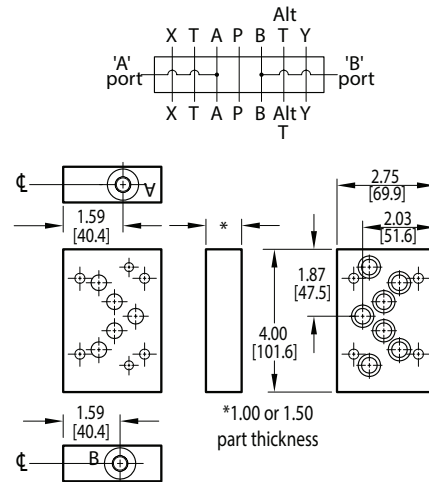
P and T Port Tapping Plate

Tapping Plate hardware / interface seal kit is supplied. See page 179.1 for itemized list.



A and B Port Tapping Plate

Tapping Plate hardware / interface seal kit is supplied. See page 179.1 for itemized list.



Specifications, descriptions, and dimensional data are subject to correction or change without notice or incurring obligation. Download latest catalog page revisions at www.daman.com.

Ordering Information

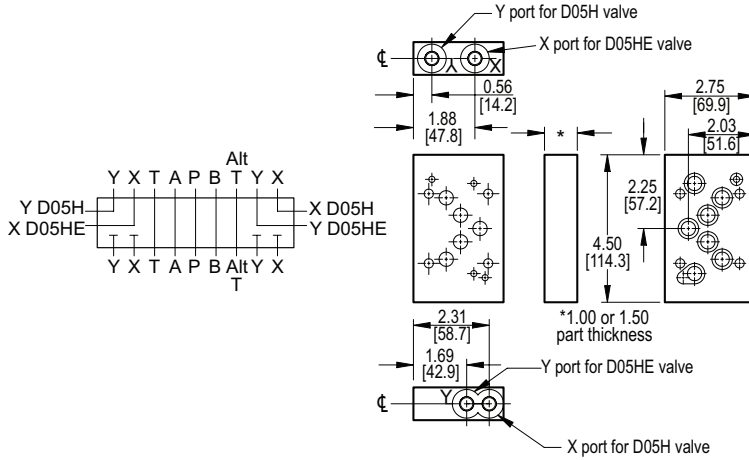
For **coating options** see pages 245-246.

Material	Valve Pattern	Product Type	Circuit	Port Threads	Thickness																																								
<table border="1"> <thead> <tr> <th colspan="2">Material</th> </tr> </thead> <tbody> <tr> <td>A</td> <td>Aluminum - 6061-T6 3000† psi • 20.7 MPa</td> </tr> <tr> <td>D</td> <td>Ductile Iron - D4512 5000† psi • 34.5 MPa</td> </tr> <tr> <td colspan="2">† Working pressure should be considered in accordance with ISO 4413 to determine appropriate material type.</td> </tr> </tbody> </table>	Material		A	Aluminum - 6061-T6 3000† psi • 20.7 MPa	D	Ductile Iron - D4512 5000† psi • 34.5 MPa	† Working pressure should be considered in accordance with ISO 4413 to determine appropriate material type.		<table border="1"> <thead> <tr> <th colspan="2">Valve Pattern</th> </tr> </thead> <tbody> <tr> <td>D05HE</td> <td>ISO 4401-05-05 NFPA T3.5.1-D05 Alt A See Tech Information</td> </tr> </tbody> </table>	Valve Pattern		D05HE	ISO 4401-05-05 NFPA T3.5.1-D05 Alt A See Tech Information	<table border="1"> <thead> <tr> <th colspan="2">Product Type</th> </tr> </thead> <tbody> <tr> <td>TP</td> <td>Tapping Plate</td> </tr> </tbody> </table>	Product Type		TP	Tapping Plate	<table border="1"> <thead> <tr> <th colspan="2">Circuit</th> </tr> </thead> <tbody> <tr> <td>PT</td> <td>P and T ports provided</td> </tr> <tr> <td>AB</td> <td>A and B ports provided</td> </tr> </tbody> </table>	Circuit		PT	P and T ports provided	AB	A and B ports provided	<table border="1"> <thead> <tr> <th colspan="2">Port Threads</th> </tr> </thead> <tbody> <tr> <td>4P</td> <td>0.25-18 NPTF ANSI B1.20.3</td> </tr> <tr> <td>4S</td> <td>-4 SAE ISO 11926; SAE 1926</td> </tr> <tr> <td>4B</td> <td>0.25-19 BSPP ISO 1179; BS 2779</td> </tr> <tr> <td>4M</td> <td>M10 x 1.0 ISO 6149</td> </tr> <tr> <td>4T</td> <td>0.25-19 BSPT ISO 7; BS 21</td> </tr> </tbody> </table>	Port Threads		4P	0.25-18 NPTF ANSI B1.20.3	4S	-4 SAE ISO 11926; SAE 1926	4B	0.25-19 BSPP ISO 1179; BS 2779	4M	M10 x 1.0 ISO 6149	4T	0.25-19 BSPT ISO 7; BS 21	<table border="1"> <thead> <tr> <th colspan="2">Thickness</th> </tr> </thead> <tbody> <tr> <td>150</td> <td>For 1.5" thickness</td> </tr> <tr> <td colspan="2">OMIT for standard 1" thickness</td> </tr> </tbody> </table>	Thickness		150	For 1.5" thickness	OMIT for standard 1" thickness	
Material																																													
A	Aluminum - 6061-T6 3000† psi • 20.7 MPa																																												
D	Ductile Iron - D4512 5000† psi • 34.5 MPa																																												
† Working pressure should be considered in accordance with ISO 4413 to determine appropriate material type.																																													
Valve Pattern																																													
D05HE	ISO 4401-05-05 NFPA T3.5.1-D05 Alt A See Tech Information																																												
Product Type																																													
TP	Tapping Plate																																												
Circuit																																													
PT	P and T ports provided																																												
AB	A and B ports provided																																												
Port Threads																																													
4P	0.25-18 NPTF ANSI B1.20.3																																												
4S	-4 SAE ISO 11926; SAE 1926																																												
4B	0.25-19 BSPP ISO 1179; BS 2779																																												
4M	M10 x 1.0 ISO 6149																																												
4T	0.25-19 BSPT ISO 7; BS 21																																												
Thickness																																													
150	For 1.5" thickness																																												
OMIT for standard 1" thickness																																													

D05 Tapping Plates with Pilot Ports

X and Y Port Tapping Plate

Tapping Plate hardware / interface seal kit is supplied. See page 179.1 for itemized list.



Specifications, descriptions, and dimensional data are subject to correction or change without notice or incurring obligation. Download latest catalog page revisions at www.daman.com.

Ordering Information

For [coating options](#) see pages 245-246.

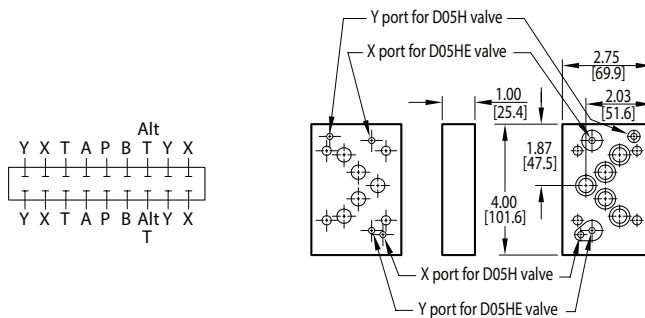
Material	Valve Pattern	Product Type	Circuit	Port Threads	Thickness																																						
<table border="1"> <thead> <tr> <th colspan="2">Material</th> </tr> </thead> <tbody> <tr> <td>A</td> <td>Aluminum - 6061-T6 3000[†] psi • 20.7 MPa</td> </tr> <tr> <td>D</td> <td>Ductile Iron - D4512 5000[†] psi • 34.5 MPa</td> </tr> <tr> <td colspan="2">[†] Working pressure should be considered in accordance with ISO 4413 to determine appropriate material type.</td> </tr> </tbody> </table>	Material		A	Aluminum - 6061-T6 3000 [†] psi • 20.7 MPa	D	Ductile Iron - D4512 5000 [†] psi • 34.5 MPa	[†] Working pressure should be considered in accordance with ISO 4413 to determine appropriate material type.		<table border="1"> <thead> <tr> <th colspan="2">Valve Pattern</th> </tr> </thead> <tbody> <tr> <td>D05H</td> <td>ISO 4401-05-05 NFPA T3.5.1-D05 Alt A & B See Technical Information</td> </tr> </tbody> </table>	Valve Pattern		D05H	ISO 4401-05-05 NFPA T3.5.1-D05 Alt A & B See Technical Information	<table border="1"> <thead> <tr> <th colspan="2">Product Type</th> </tr> </thead> <tbody> <tr> <td>TP</td> <td>Tapping Plate</td> </tr> </tbody> </table>	Product Type		TP	Tapping Plate	<table border="1"> <thead> <tr> <th colspan="2">Circuit</th> </tr> </thead> <tbody> <tr> <td>XY</td> <td>X and Y ports provided</td> </tr> </tbody> </table>	Circuit		XY	X and Y ports provided	<table border="1"> <thead> <tr> <th colspan="2">Port Threads</th> </tr> </thead> <tbody> <tr> <td>4P</td> <td>0.25-18 NPTF ANSI B1.20.3</td> </tr> <tr> <td>4S</td> <td>-4 SAE ISO 11926; SAE 1926</td> </tr> <tr> <td>4B</td> <td>0.25-19 BSPP ISO 1179; BS 2779</td> </tr> <tr> <td>4M</td> <td>M10 x 1.0 ISO 6149</td> </tr> <tr> <td>4T</td> <td>0.25-19 BSPT ISO 7; BS 21</td> </tr> </tbody> </table>	Port Threads		4P	0.25-18 NPTF ANSI B1.20.3	4S	-4 SAE ISO 11926; SAE 1926	4B	0.25-19 BSPP ISO 1179; BS 2779	4M	M10 x 1.0 ISO 6149	4T	0.25-19 BSPT ISO 7; BS 21	<table border="1"> <thead> <tr> <th colspan="2">Thickness</th> </tr> </thead> <tbody> <tr> <td>150</td> <td>For 1.5" thickness</td> </tr> <tr> <td colspan="2">OMIT for standard 1" thickness</td> </tr> </tbody> </table>	Thickness		150	For 1.5" thickness	OMIT for standard 1" thickness	
Material																																											
A	Aluminum - 6061-T6 3000 [†] psi • 20.7 MPa																																										
D	Ductile Iron - D4512 5000 [†] psi • 34.5 MPa																																										
[†] Working pressure should be considered in accordance with ISO 4413 to determine appropriate material type.																																											
Valve Pattern																																											
D05H	ISO 4401-05-05 NFPA T3.5.1-D05 Alt A & B See Technical Information																																										
Product Type																																											
TP	Tapping Plate																																										
Circuit																																											
XY	X and Y ports provided																																										
Port Threads																																											
4P	0.25-18 NPTF ANSI B1.20.3																																										
4S	-4 SAE ISO 11926; SAE 1926																																										
4B	0.25-19 BSPP ISO 1179; BS 2779																																										
4M	M10 x 1.0 ISO 6149																																										
4T	0.25-19 BSPT ISO 7; BS 21																																										
Thickness																																											
150	For 1.5" thickness																																										
OMIT for standard 1" thickness																																											

D05 Tapping Plates with Pilot Ports

Spot Drilled Tapping Plate

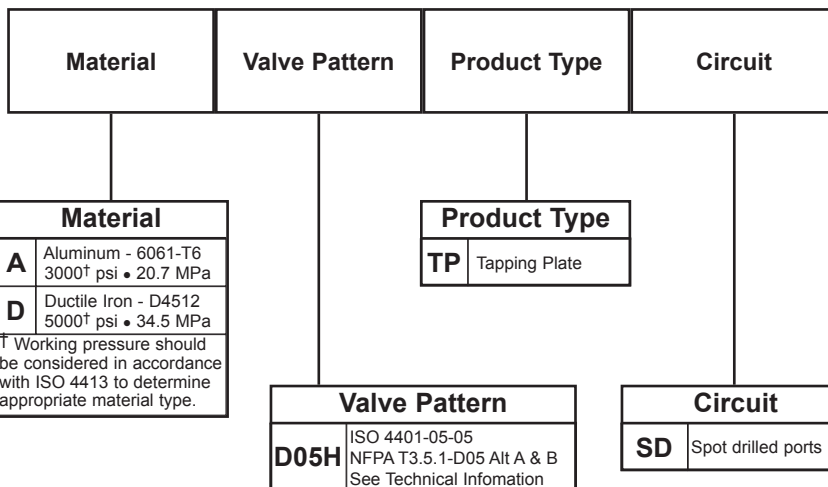
Tapping Plate interface seal kit is supplied.

See page 179.1 for itemized list.



Specifications, descriptions, and dimensional data are subject to correction or change without notice or incurring obligation. Download latest catalog page revisions at www.daman.com.

Ordering Information

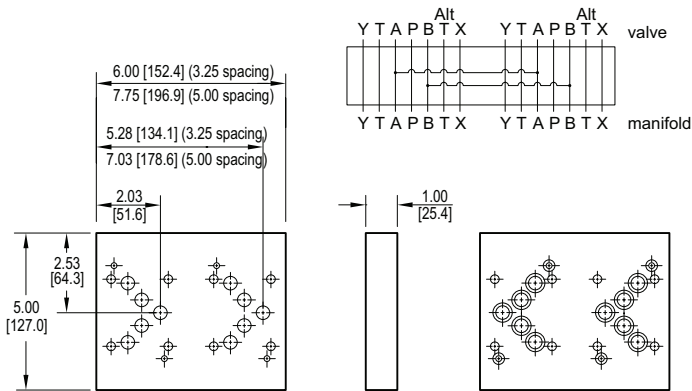


For coating options see pages 245-246.

D05 Tapping Plates with Pilot Ports

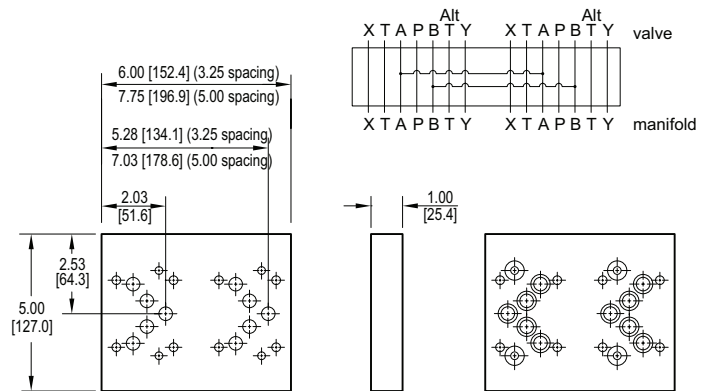
D05(H) Two Station Tapping Plate (USA Pilot Ports) A₁ common to A₂, B₁ common to B₂

Tapping Plate interface seal kit is supplied.
See page 179.1 for itemized list.



D05(HE) Two Station Tapping Plate (ISO Pilot Ports) A₁ common to A₂, B₁ common to B₂

Tapping Plate interface seal kit is supplied.
See page 179.1 for itemized list.



Specifications, descriptions, and dimensional data are subject to correction or change without notice or incurring obligation. Download latest catalog page revisions at www.daman.com.

Ordering Information

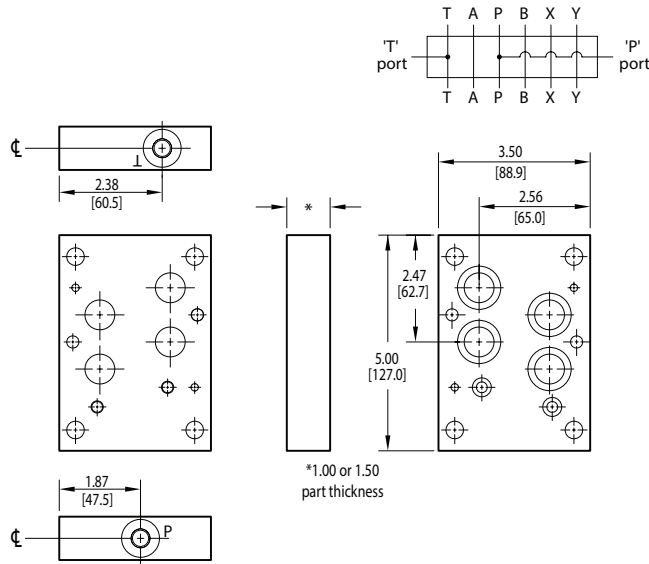
For coating options see pages 245-246.

Material	Valve Pattern	Product Type	No. of Stations	Valve Spacing	Circuit																																
<table border="1"> <thead> <tr> <th colspan="2">Material</th> </tr> </thead> <tbody> <tr> <td>A</td> <td>Aluminum - 6061-T6 3000[†] psi • 20.7 MPa</td> </tr> <tr> <td>D</td> <td>Ductile Iron - D4512 5000[†] psi • 34.5 MPa</td> </tr> <tr> <td colspan="2"> [†] Working pressure should be considered in accordance with ISO 4413 to determine appropriate material type. </td> </tr> </tbody> </table>	Material		A	Aluminum - 6061-T6 3000 [†] psi • 20.7 MPa	D	Ductile Iron - D4512 5000 [†] psi • 34.5 MPa	[†] Working pressure should be considered in accordance with ISO 4413 to determine appropriate material type.		<table border="1"> <thead> <tr> <th colspan="2">Valve Pattern</th> </tr> </thead> <tbody> <tr> <td>D05H</td> <td>(USA std) NFPA T3.5.1-D05 Alt B See Tech Information</td> </tr> <tr> <td>D05HE</td> <td>ISO 4401-05-05 NFPA T3.5.1-D05 Alt A See Tech Information</td> </tr> </tbody> </table>	Valve Pattern		D05H	(USA std) NFPA T3.5.1-D05 Alt B See Tech Information	D05HE	ISO 4401-05-05 NFPA T3.5.1-D05 Alt A See Tech Information	<table border="1"> <thead> <tr> <th colspan="2">Product Type</th> </tr> </thead> <tbody> <tr> <td>TP</td> <td>Tapping Plate</td> </tr> </tbody> </table>	Product Type		TP	Tapping Plate	<table border="1"> <thead> <tr> <th colspan="2">No. of Stations</th> </tr> </thead> <tbody> <tr> <td>02</td> <td>02 Stations</td> </tr> </tbody> </table>	No. of Stations		02	02 Stations	<table border="1"> <thead> <tr> <th colspan="2">Valve Spacing</th> </tr> </thead> <tbody> <tr> <td>3</td> <td>3.25 inch 82.6 mm</td> </tr> <tr> <td>5</td> <td>5.00 inch 127.0 mm</td> </tr> </tbody> </table>	Valve Spacing		3	3.25 inch 82.6 mm	5	5.00 inch 127.0 mm	<table border="1"> <thead> <tr> <th colspan="2">Circuit</th> </tr> </thead> <tbody> <tr> <td>AB</td> <td>A₁ common to A₂ B₁ common to B₂</td> </tr> </tbody> </table>	Circuit		AB	A ₁ common to A ₂ B ₁ common to B ₂
Material																																					
A	Aluminum - 6061-T6 3000 [†] psi • 20.7 MPa																																				
D	Ductile Iron - D4512 5000 [†] psi • 34.5 MPa																																				
[†] Working pressure should be considered in accordance with ISO 4413 to determine appropriate material type.																																					
Valve Pattern																																					
D05H	(USA std) NFPA T3.5.1-D05 Alt B See Tech Information																																				
D05HE	ISO 4401-05-05 NFPA T3.5.1-D05 Alt A See Tech Information																																				
Product Type																																					
TP	Tapping Plate																																				
No. of Stations																																					
02	02 Stations																																				
Valve Spacing																																					
3	3.25 inch 82.6 mm																																				
5	5.00 inch 127.0 mm																																				
Circuit																																					
AB	A ₁ common to A ₂ B ₁ common to B ₂																																				

D07 Tapping Plates

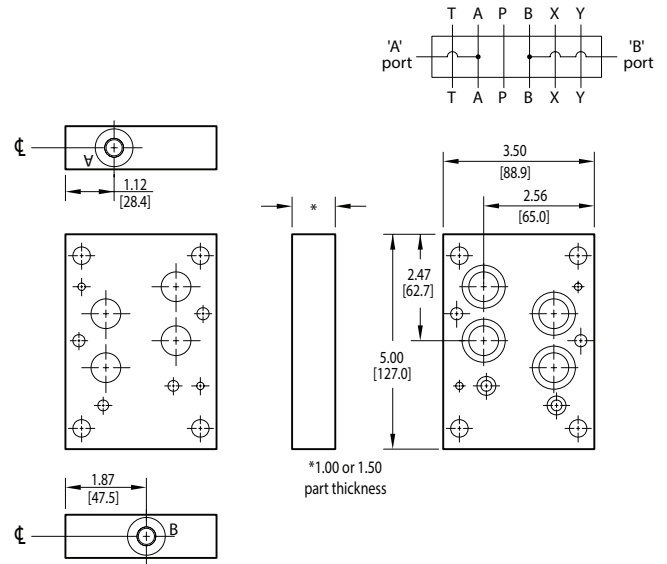
P and T Port Tapping Plate

Tapping Plate hardware / interface seal kit is supplied. See page 179.1 for itemized list.



A and B Port Tapping Plate

Tapping Plate hardware / interface seal kit is supplied. See page 179.1 for itemized list.



Specifications, descriptions, and dimensional data are subject to correction or change without notice or incurring obligation. Download latest catalog page revisions at www.daman.com.

Ordering Information

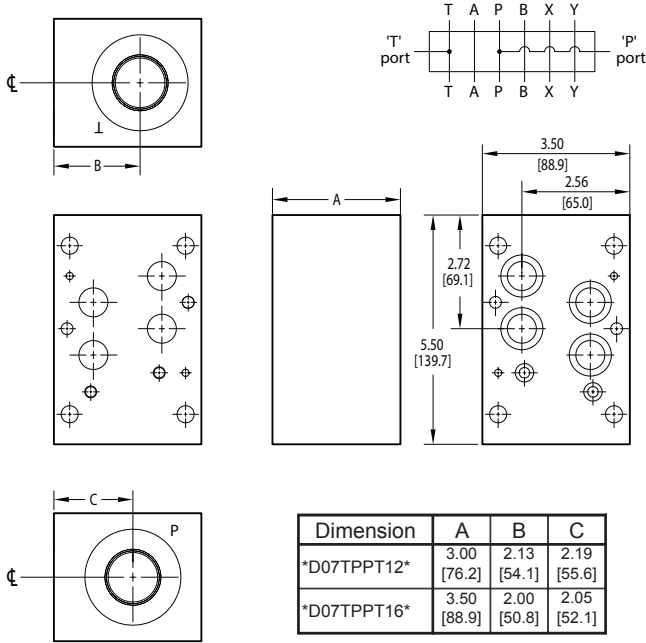
For coating options see pages 245-246.

Material	Valve Pattern	Product Type	Circuit	Port Threads	Thickness																																								
<table border="1"> <thead> <tr> <th colspan="2">Material</th> </tr> </thead> <tbody> <tr> <td>A</td> <td>Aluminum - 6061-T6 3000† psi • 20.7 MPa</td> </tr> <tr> <td>D</td> <td>Ductile Iron - D4512 5000† psi • 34.5 MPa</td> </tr> <tr> <td colspan="2">† Working pressure should be considered in accordance with ISO 4413 to determine appropriate material type.</td> </tr> </tbody> </table>	Material		A	Aluminum - 6061-T6 3000† psi • 20.7 MPa	D	Ductile Iron - D4512 5000† psi • 34.5 MPa	† Working pressure should be considered in accordance with ISO 4413 to determine appropriate material type.		<table border="1"> <thead> <tr> <th colspan="2">Valve Pattern</th> </tr> </thead> <tbody> <tr> <td>D07</td> <td>ISO 4401-07-06 NFPA T3.5.1-D07 See Tech Information</td> </tr> </tbody> </table>	Valve Pattern		D07	ISO 4401-07-06 NFPA T3.5.1-D07 See Tech Information	<table border="1"> <thead> <tr> <th colspan="2">Product Type</th> </tr> </thead> <tbody> <tr> <td>TP</td> <td>Tapping Plate</td> </tr> </tbody> </table>	Product Type		TP	Tapping Plate	<table border="1"> <thead> <tr> <th colspan="2">Circuit</th> </tr> </thead> <tbody> <tr> <td>PT</td> <td>P and T ports provided</td> </tr> <tr> <td>AB</td> <td>A and B ports provided</td> </tr> </tbody> </table>	Circuit		PT	P and T ports provided	AB	A and B ports provided	<table border="1"> <thead> <tr> <th colspan="2">Port Threads</th> </tr> </thead> <tbody> <tr> <td>4P</td> <td>0.25-18 NPTF ANSI B1.20.3</td> </tr> <tr> <td>4S</td> <td>-4 SAE ISO 11926; SAE 1926</td> </tr> <tr> <td>4B</td> <td>0.25-19 BSPP ISO 1179; BS 2779</td> </tr> <tr> <td>4M</td> <td>M10 x 1.0 ISO 6149</td> </tr> <tr> <td>4T</td> <td>0.25-19 BSPT ISO 7; BS 21</td> </tr> </tbody> </table> <p>For larger ports, see next page (p. 169.1).</p>	Port Threads		4P	0.25-18 NPTF ANSI B1.20.3	4S	-4 SAE ISO 11926; SAE 1926	4B	0.25-19 BSPP ISO 1179; BS 2779	4M	M10 x 1.0 ISO 6149	4T	0.25-19 BSPT ISO 7; BS 21	<table border="1"> <thead> <tr> <th colspan="2">Thickness</th> </tr> </thead> <tbody> <tr> <td>150</td> <td>For 1.5" thickness</td> </tr> <tr> <td colspan="2">OMIT for standard 1" thickness</td> </tr> </tbody> </table>	Thickness		150	For 1.5" thickness	OMIT for standard 1" thickness	
Material																																													
A	Aluminum - 6061-T6 3000† psi • 20.7 MPa																																												
D	Ductile Iron - D4512 5000† psi • 34.5 MPa																																												
† Working pressure should be considered in accordance with ISO 4413 to determine appropriate material type.																																													
Valve Pattern																																													
D07	ISO 4401-07-06 NFPA T3.5.1-D07 See Tech Information																																												
Product Type																																													
TP	Tapping Plate																																												
Circuit																																													
PT	P and T ports provided																																												
AB	A and B ports provided																																												
Port Threads																																													
4P	0.25-18 NPTF ANSI B1.20.3																																												
4S	-4 SAE ISO 11926; SAE 1926																																												
4B	0.25-19 BSPP ISO 1179; BS 2779																																												
4M	M10 x 1.0 ISO 6149																																												
4T	0.25-19 BSPT ISO 7; BS 21																																												
Thickness																																													
150	For 1.5" thickness																																												
OMIT for standard 1" thickness																																													

D07 Tapping Plates - Large Ports

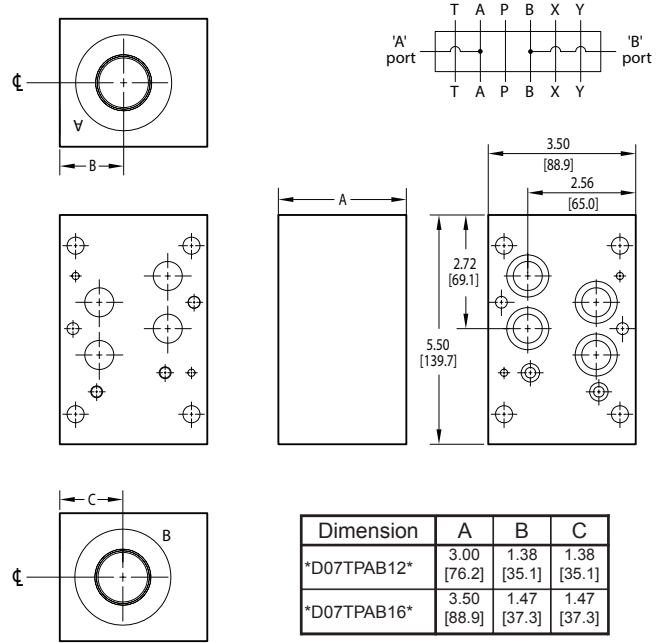
P and T Port Tapping Plate

Tapping Plate hardware / interface seal kit is supplied. See page 179.1 for itemized list.



A and B Port Tapping Plate

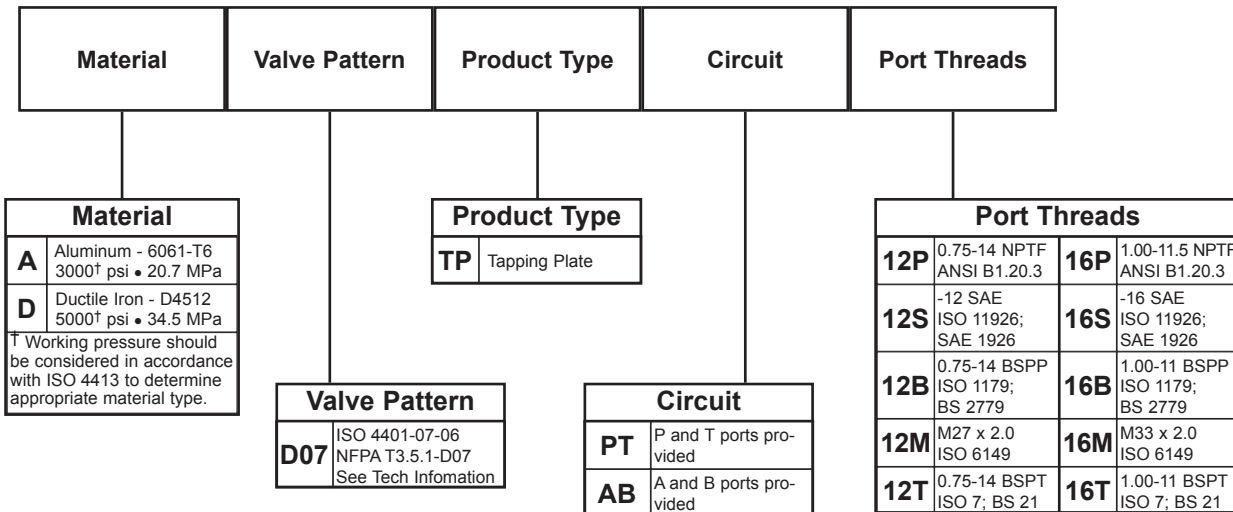
Tapping Plate hardware / interface seal kit is supplied. See page 179.1 for itemized list.



Specifications, descriptions, and dimensional data are subject to correction or change without notice or incurring obligation. Download latest catalog page revisions at www.daman.com.

Ordering Information

For **coating options** see pages 245-246.

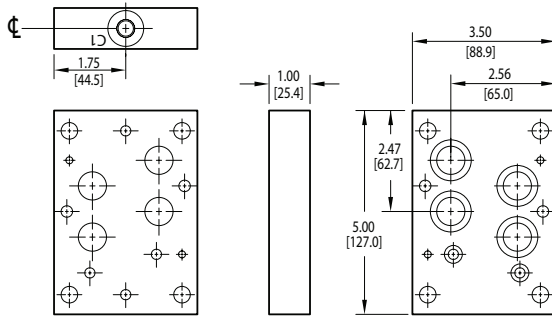
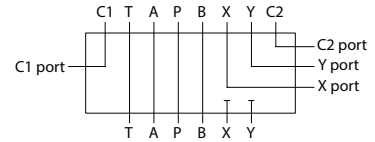


For smaller ports, see previous page (p. 169).

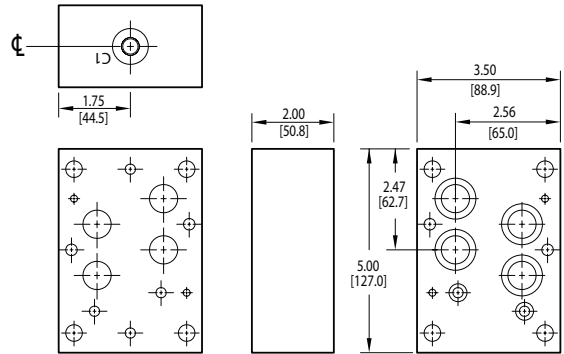
D07 Tapping Plates

X and Y Port Tapping Plate

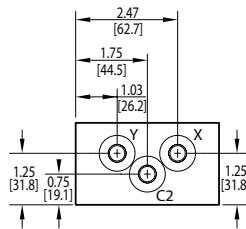
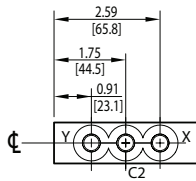
Tapping Plate hardware / interface seal kit is supplied. See page 179.1 for itemized list.



1" thick tapping plate



2" thick tapping plate



Specifications, descriptions, and dimensional data are subject to correction or change without notice or incurring obligation. Download latest catalog page revisions at www.daman.com.

Ordering Information

For coating options see pages 245-246.

Material	Valve Pattern	Product Type	Circuit	Port Threads	Thickness
----------	---------------	--------------	---------	--------------	-----------

Material	
A	Aluminum - 6061-T6 3000† psi • 20.7 MPa
D	Ductile Iron - D4512 5000† psi • 34.5 MPa

† Working pressure should be considered in accordance with ISO 4413 to determine appropriate material type.

Product Type	
TP	Tapping Plate

Valve Pattern	
D07	ISO 4401-07-06 NFPA T3.5.1-D07 See Tech Information

Circuit	
XY	X and Y ports provided

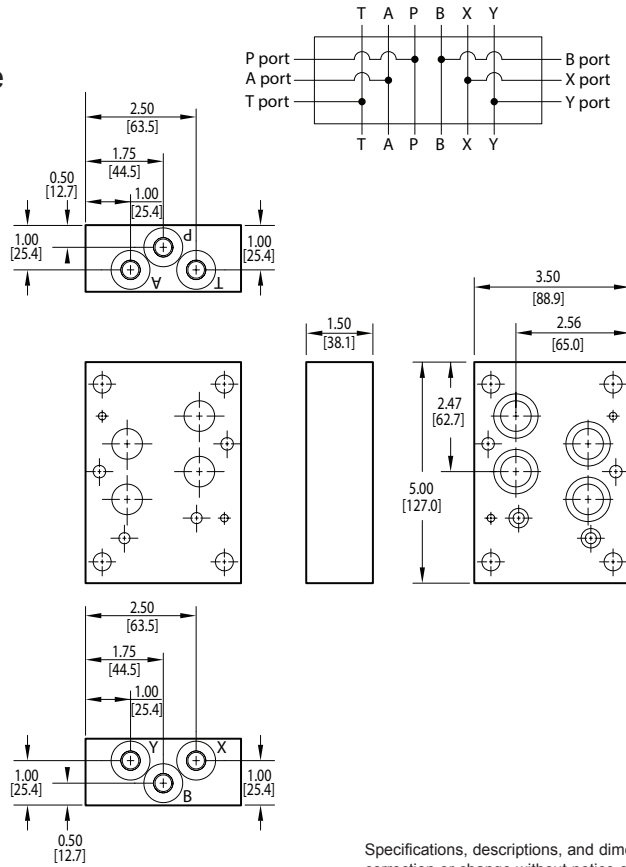
Port Threads	
4P	0.25-18 NPTF ANSI B1.20.3
4S	-4 SAE ISO 11926; SAE 1926
4B	0.25-19 BSPP ISO 1179; BS 2779
4M	M10 x 1.0 ISO 6149
4T	0.25-19 BSPT ISO 7; BS 21

Thickness	
200	For 2" thickness
	OMIT for standard 1" thickness

D07 Tapping Plates

P, T, A, B, X, and Y Port Tapping Plate

Tapping Plate hardware / interface seal kit is supplied. See page 179.1 for itemized list.



Specifications, descriptions, and dimensional data are subject to correction or change without notice or incurring obligation. Download latest catalog page revisions at www.daman.com.

Ordering Information

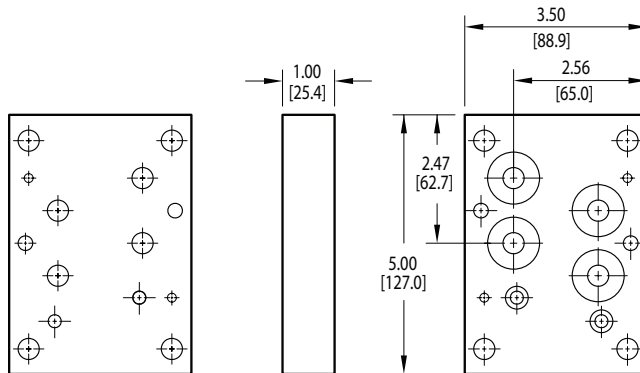
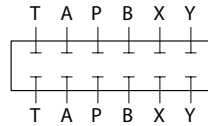
For **coating options** see pages 245-246.

Material	Valve Pattern	Product Type	Circuit	Port Threads																																
<table border="1"> <thead> <tr> <th colspan="2">Material</th> </tr> </thead> <tbody> <tr> <td>A</td> <td>Aluminum - 6061-T6 3000[†] psi • 20.7 MPa</td> </tr> <tr> <td>D</td> <td>Ductile Iron - D4512 5000[†] psi • 34.5 MPa</td> </tr> <tr> <td colspan="2">[†] Working pressure should be considered in accordance with ISO 4413 to determine appropriate material type.</td> </tr> </tbody> </table>	Material		A	Aluminum - 6061-T6 3000 [†] psi • 20.7 MPa	D	Ductile Iron - D4512 5000 [†] psi • 34.5 MPa	[†] Working pressure should be considered in accordance with ISO 4413 to determine appropriate material type.		<table border="1"> <thead> <tr> <th colspan="2">Valve Pattern</th> </tr> </thead> <tbody> <tr> <td>D07</td> <td>ISO 4401-07-06 NFPA T3.5.1-D07 See Tech Information</td> </tr> </tbody> </table>	Valve Pattern		D07	ISO 4401-07-06 NFPA T3.5.1-D07 See Tech Information	<table border="1"> <thead> <tr> <th colspan="2">Product Type</th> </tr> </thead> <tbody> <tr> <td>TP</td> <td>Tapping Plate</td> </tr> </tbody> </table>	Product Type		TP	Tapping Plate	<table border="1"> <thead> <tr> <th colspan="2">Circuit</th> </tr> </thead> <tbody> <tr> <td>PTABXY</td> <td>P, T, A, B, X and Y ports provided</td> </tr> </tbody> </table>	Circuit		PTABXY	P, T, A, B, X and Y ports provided	<table border="1"> <thead> <tr> <th colspan="2">Port Threads</th> </tr> </thead> <tbody> <tr> <td>4P</td> <td>0.25-18 NPTF ANSI B1.20.3</td> </tr> <tr> <td>4S</td> <td>-4 SAE ISO 11926; SAE 1926</td> </tr> <tr> <td>4B</td> <td>0.25-19 BSPP ISO 1179; BS 2779</td> </tr> <tr> <td>4M</td> <td>M10 x 1.0 ISO 6149</td> </tr> <tr> <td>4T</td> <td>0.25-19 BSPT ISO 7; BS 21</td> </tr> </tbody> </table>	Port Threads		4P	0.25-18 NPTF ANSI B1.20.3	4S	-4 SAE ISO 11926; SAE 1926	4B	0.25-19 BSPP ISO 1179; BS 2779	4M	M10 x 1.0 ISO 6149	4T	0.25-19 BSPT ISO 7; BS 21
Material																																				
A	Aluminum - 6061-T6 3000 [†] psi • 20.7 MPa																																			
D	Ductile Iron - D4512 5000 [†] psi • 34.5 MPa																																			
[†] Working pressure should be considered in accordance with ISO 4413 to determine appropriate material type.																																				
Valve Pattern																																				
D07	ISO 4401-07-06 NFPA T3.5.1-D07 See Tech Information																																			
Product Type																																				
TP	Tapping Plate																																			
Circuit																																				
PTABXY	P, T, A, B, X and Y ports provided																																			
Port Threads																																				
4P	0.25-18 NPTF ANSI B1.20.3																																			
4S	-4 SAE ISO 11926; SAE 1926																																			
4B	0.25-19 BSPP ISO 1179; BS 2779																																			
4M	M10 x 1.0 ISO 6149																																			
4T	0.25-19 BSPT ISO 7; BS 21																																			

D07 Tapping Plates

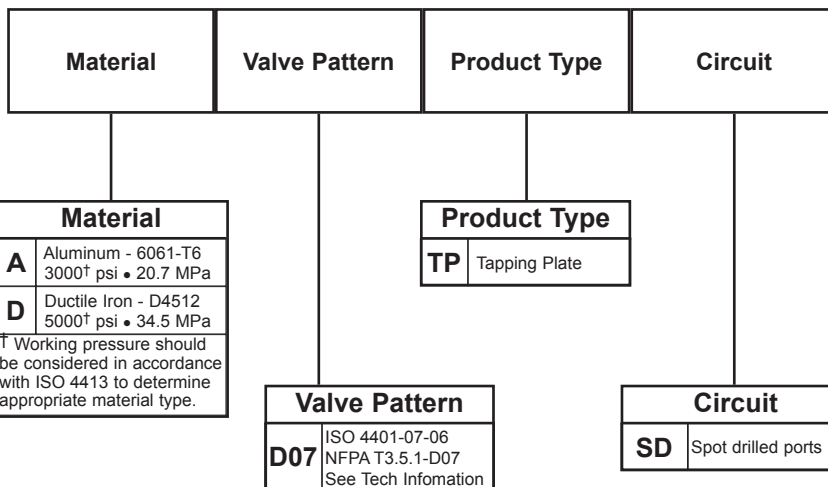
Spot Drilled Tapping Plate

Tapping Plate hardware / interface seal kit is supplied. See page 179.1 for itemized list.



Specifications, descriptions, and dimensional data are subject to correction or change without notice or incurring obligation. Download latest catalog page revisions at www.daman.com.

Ordering Information

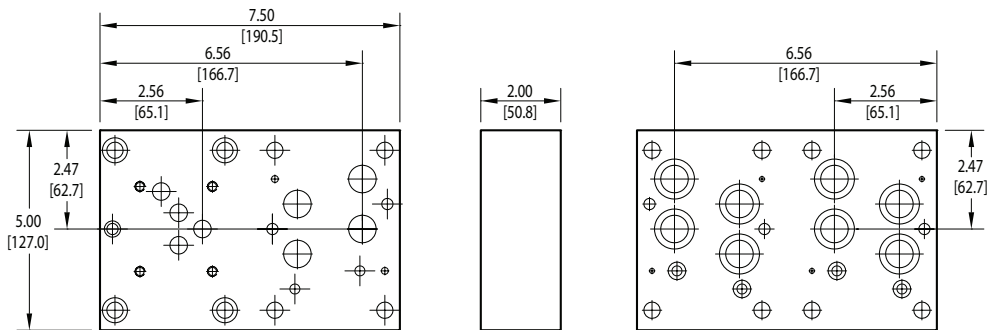
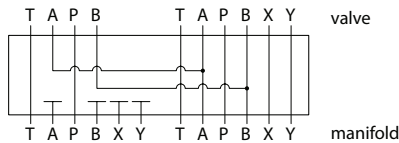


For coating options see pages 245-246.

D07 Tapping Plates

D05-D07 Two Station Tapping Plate A₁ common to A₂, B₁ common to B₂

D05 Valve mtg: UNC 0.25-20 x 0.75 [19] DP
Tapping Plate hardware / interface seal kit is supplied. * See page 179.1 for itemized list.
 * (6) bolts are user supplied and must pass through valve and tapping plate to thread into manifold.



Specifications, descriptions, and dimensional data are subject to correction or change without notice or incurring obligation. Download latest catalog page revisions at www.daman.com.

Ordering Information

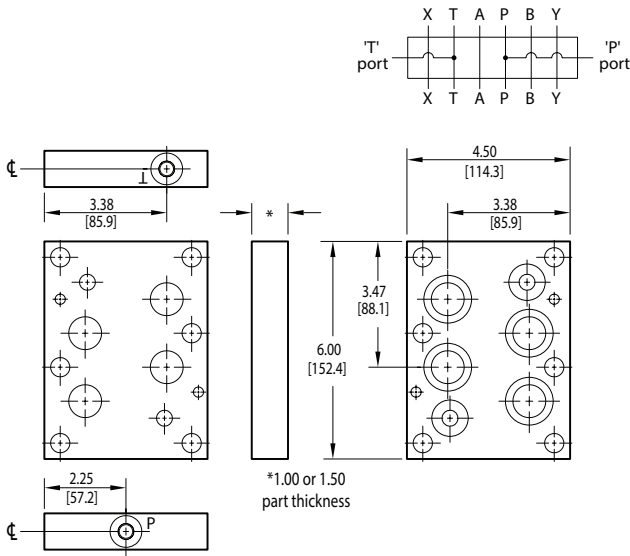
For **coating options** see pages 245-246.

Material	Valve Pattern Station 1	Valve Pattern Station 2	Product Type	No. of Stations	Valve Spacing	Circuit																																
<table border="1"> <tr><th colspan="2">Material</th></tr> <tr> <td>A</td> <td>Aluminum - 6061-T6 3000† psi • 20.7 MPa</td> </tr> <tr> <td>D</td> <td>Ductile Iron - D4512 5000† psi • 34.5 MPa</td> </tr> <tr> <td colspan="2">† Working pressure should be considered in accordance with ISO 4413 to determine appropriate material type.</td> </tr> </table>	Material		A	Aluminum - 6061-T6 3000† psi • 20.7 MPa	D	Ductile Iron - D4512 5000† psi • 34.5 MPa	† Working pressure should be considered in accordance with ISO 4413 to determine appropriate material type.		<table border="1"> <tr><th colspan="2">Valve Station 1</th></tr> <tr> <td>D05</td> <td>ISO 4401-05-04 NFPA T3.5.1-D05 See Tech Information</td> </tr> </table>	Valve Station 1		D05	ISO 4401-05-04 NFPA T3.5.1-D05 See Tech Information	<table border="1"> <tr><th colspan="2">Valve Station 2</th></tr> <tr> <td>D07</td> <td>ISO 4401-07-06 NFPA T3.5.1-D07 See Tech Information</td> </tr> </table>	Valve Station 2		D07	ISO 4401-07-06 NFPA T3.5.1-D07 See Tech Information	<table border="1"> <tr><th colspan="2">Product Type</th></tr> <tr> <td>TP</td> <td>Tapping Plate</td> </tr> </table>	Product Type		TP	Tapping Plate	<table border="1"> <tr><th colspan="2">No. of Stations</th></tr> <tr> <td>02</td> <td>02 Stations</td> </tr> </table>	No. of Stations		02	02 Stations	<table border="1"> <tr><th colspan="2">Valve Spacing</th></tr> <tr> <td>4</td> <td>4.00 inch 101.6 mm</td> </tr> </table>	Valve Spacing		4	4.00 inch 101.6 mm	<table border="1"> <tr><th colspan="2">Circuit</th></tr> <tr> <td>AB</td> <td>A1 common to A2 B1 common to B2</td> </tr> </table>	Circuit		AB	A1 common to A2 B1 common to B2
Material																																						
A	Aluminum - 6061-T6 3000† psi • 20.7 MPa																																					
D	Ductile Iron - D4512 5000† psi • 34.5 MPa																																					
† Working pressure should be considered in accordance with ISO 4413 to determine appropriate material type.																																						
Valve Station 1																																						
D05	ISO 4401-05-04 NFPA T3.5.1-D05 See Tech Information																																					
Valve Station 2																																						
D07	ISO 4401-07-06 NFPA T3.5.1-D07 See Tech Information																																					
Product Type																																						
TP	Tapping Plate																																					
No. of Stations																																						
02	02 Stations																																					
Valve Spacing																																						
4	4.00 inch 101.6 mm																																					
Circuit																																						
AB	A1 common to A2 B1 common to B2																																					

D08 Tapping Plates

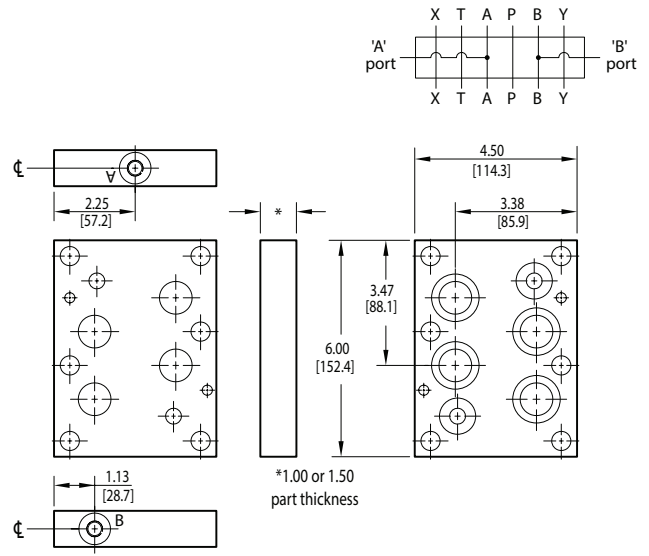
P and T Port Tapping Plate

Tapping Plate hardware / interface seal kit is supplied. See page 179.1 for itemized list.



A and B Port Tapping Plate

Tapping Plate hardware / interface seal kit is supplied. See page 179.1 for itemized list.



Specifications, descriptions, and dimensional data are subject to correction or change without notice or incurring obligation. Download latest catalog page revisions at www.daman.com.

Ordering Information

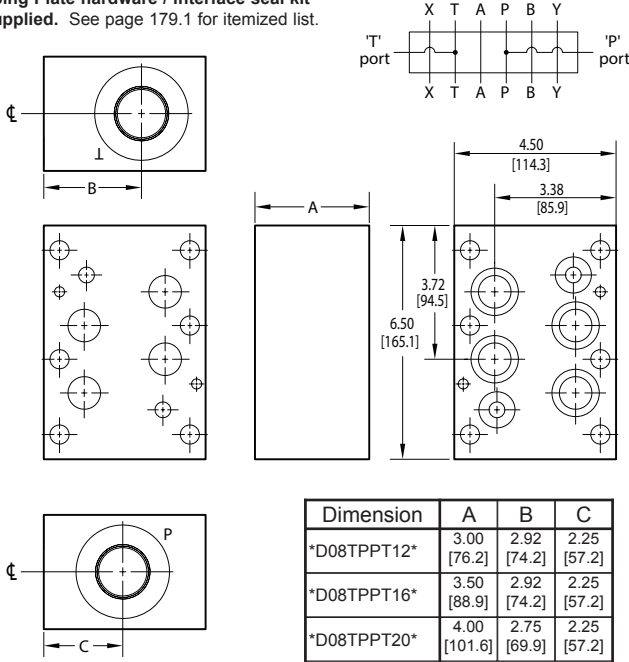
For coating options see pages 245-246.

Material	Valve Pattern	Product Type	Circuit	Port Threads	Thickness																																								
<table border="1"> <thead> <tr> <th colspan="2">Material</th> </tr> </thead> <tbody> <tr> <td>A</td> <td>Aluminum - 6061-T6 3000[†] psi • 20.7 MPa</td> </tr> <tr> <td>D</td> <td>Ductile Iron - D4512 5000[†] psi • 34.5 MPa</td> </tr> <tr> <td colspan="2">[†] Working pressure should be considered in accordance with ISO 4413 to determine appropriate material type.</td> </tr> </tbody> </table>	Material		A	Aluminum - 6061-T6 3000 [†] psi • 20.7 MPa	D	Ductile Iron - D4512 5000 [†] psi • 34.5 MPa	[†] Working pressure should be considered in accordance with ISO 4413 to determine appropriate material type.		<table border="1"> <thead> <tr> <th colspan="2">Valve Pattern</th> </tr> </thead> <tbody> <tr> <td>D08</td> <td>ISO 4401-08-07 NFPA T3.5.1-D08 See Tech Information</td> </tr> </tbody> </table>	Valve Pattern		D08	ISO 4401-08-07 NFPA T3.5.1-D08 See Tech Information	<table border="1"> <thead> <tr> <th colspan="2">Product Type</th> </tr> </thead> <tbody> <tr> <td>TP</td> <td>Tapping Plate</td> </tr> </tbody> </table>	Product Type		TP	Tapping Plate	<table border="1"> <thead> <tr> <th colspan="2">Circuit</th> </tr> </thead> <tbody> <tr> <td>PT</td> <td>P and T ports provided</td> </tr> <tr> <td>AB</td> <td>A and B ports provided</td> </tr> </tbody> </table>	Circuit		PT	P and T ports provided	AB	A and B ports provided	<table border="1"> <thead> <tr> <th colspan="2">Port Threads</th> </tr> </thead> <tbody> <tr> <td>4P</td> <td>0.25-18 NPTF ANSI B1.20.3</td> </tr> <tr> <td>4S</td> <td>-4 SAE ISO 11926; SAE 1926</td> </tr> <tr> <td>4B</td> <td>0.25-19 BSPP ISO 1179; BS 2779</td> </tr> <tr> <td>4M</td> <td>M10 x 1.0 ISO 6149</td> </tr> <tr> <td>4T</td> <td>0.25-19 BSPT ISO 7; BS 21</td> </tr> </tbody> </table> <p>For larger ports, see next page (p. 173.1).</p>	Port Threads		4P	0.25-18 NPTF ANSI B1.20.3	4S	-4 SAE ISO 11926; SAE 1926	4B	0.25-19 BSPP ISO 1179; BS 2779	4M	M10 x 1.0 ISO 6149	4T	0.25-19 BSPT ISO 7; BS 21	<table border="1"> <thead> <tr> <th colspan="2">Thickness</th> </tr> </thead> <tbody> <tr> <td>150</td> <td>For 1.5" thickness</td> </tr> <tr> <td colspan="2">OMIT for standard 1" thickness</td> </tr> </tbody> </table>	Thickness		150	For 1.5" thickness	OMIT for standard 1" thickness	
Material																																													
A	Aluminum - 6061-T6 3000 [†] psi • 20.7 MPa																																												
D	Ductile Iron - D4512 5000 [†] psi • 34.5 MPa																																												
[†] Working pressure should be considered in accordance with ISO 4413 to determine appropriate material type.																																													
Valve Pattern																																													
D08	ISO 4401-08-07 NFPA T3.5.1-D08 See Tech Information																																												
Product Type																																													
TP	Tapping Plate																																												
Circuit																																													
PT	P and T ports provided																																												
AB	A and B ports provided																																												
Port Threads																																													
4P	0.25-18 NPTF ANSI B1.20.3																																												
4S	-4 SAE ISO 11926; SAE 1926																																												
4B	0.25-19 BSPP ISO 1179; BS 2779																																												
4M	M10 x 1.0 ISO 6149																																												
4T	0.25-19 BSPT ISO 7; BS 21																																												
Thickness																																													
150	For 1.5" thickness																																												
OMIT for standard 1" thickness																																													

D08 Tapping Plates - Large Ports

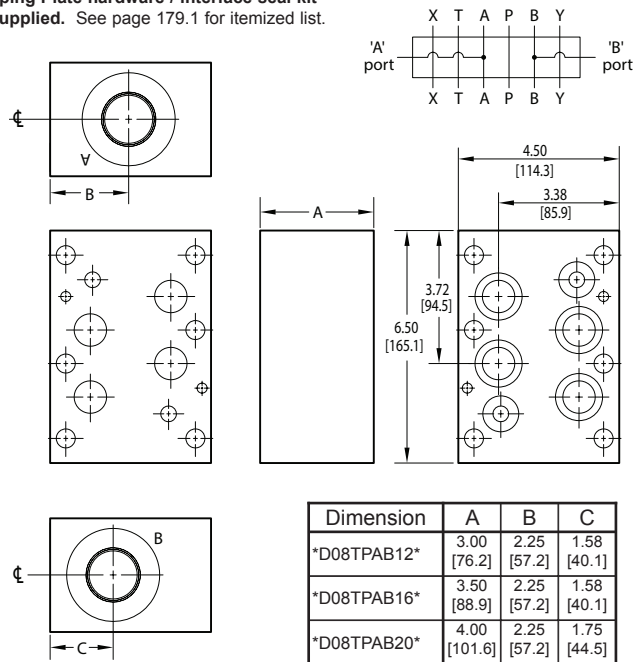
P and T Port Tapping Plate

Tapping Plate hardware / interface seal kit is supplied. See page 179.1 for itemized list.



A and B Port Tapping Plate

Tapping Plate hardware / interface seal kit is supplied. See page 179.1 for itemized list.



Specifications, descriptions, and dimensional data are subject to correction or change without notice or incurring obligation. Download latest catalog page revisions at www.daman.com.

Ordering Information

For **coating options** see pages 245-246.

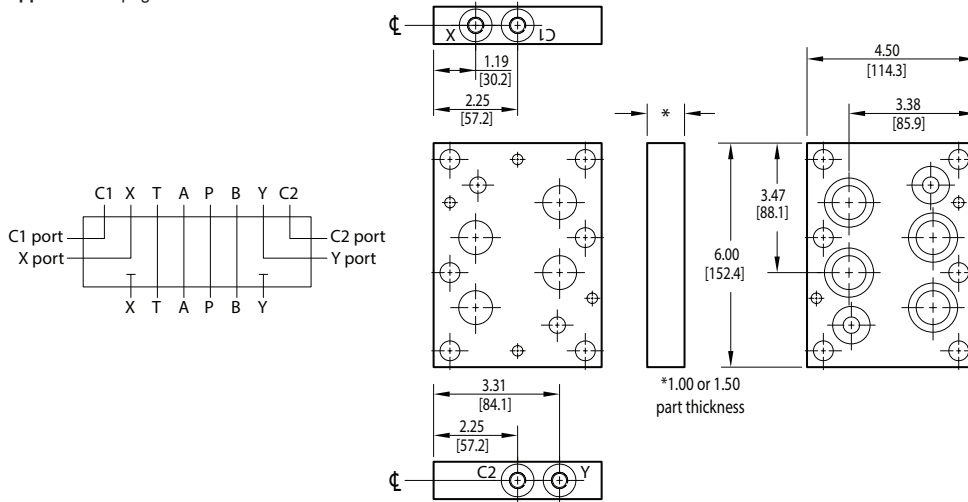
Material	Valve Pattern	Product Type	Circuit	Port Threads																																																																
<table border="1"> <thead> <tr> <th colspan="2">Material</th> </tr> </thead> <tbody> <tr> <td>A</td> <td>Aluminum - 6061-T6 3000[†] psi • 20.7 MPa</td> </tr> <tr> <td>D</td> <td>Ductile Iron - D4512 5000[†] psi • 34.5 MPa</td> </tr> </tbody> </table> <p>[†] Working pressure should be considered in accordance with ISO 4413 to determine appropriate material type.</p>	Material		A	Aluminum - 6061-T6 3000 [†] psi • 20.7 MPa	D	Ductile Iron - D4512 5000 [†] psi • 34.5 MPa	<table border="1"> <thead> <tr> <th colspan="2">Valve Pattern</th> </tr> </thead> <tbody> <tr> <td>D08</td> <td>ISO 4401-08-07 NFFPA T3.5.1-D08 See Tech Infomation</td> </tr> </tbody> </table>	Valve Pattern		D08	ISO 4401-08-07 NFFPA T3.5.1-D08 See Tech Infomation	<table border="1"> <thead> <tr> <th colspan="2">Product Type</th> </tr> </thead> <tbody> <tr> <td>TP</td> <td>Tapping Plate</td> </tr> </tbody> </table>	Product Type		TP	Tapping Plate	<table border="1"> <thead> <tr> <th colspan="2">Circuit</th> </tr> </thead> <tbody> <tr> <td>PT</td> <td>P and T ports provided</td> </tr> <tr> <td>AB</td> <td>A and B ports provided</td> </tr> </tbody> </table>	Circuit		PT	P and T ports provided	AB	A and B ports provided	<table border="1"> <thead> <tr> <th colspan="4">Port Threads</th> </tr> </thead> <tbody> <tr> <td>12P</td> <td>0.75-14 NPTF ANSI B1.20.3</td> <td>16P</td> <td>1.00-11.5 NPTF ANSI B1.20.3</td> </tr> <tr> <td>12S</td> <td>-12 SAE ISO 11926; SAE 1926</td> <td>16S</td> <td>-16 SAE ISO 11926; SAE 1926</td> </tr> <tr> <td>12B</td> <td>0.75-14 BSPP ISO 1179; BS 2779</td> <td>16B</td> <td>1.00-11 BSPP ISO 1179; BS 2779</td> </tr> <tr> <td>12M</td> <td>M27 x 2.0 ISO 6149</td> <td>16M</td> <td>M33 x 2.0 ISO 6149</td> </tr> <tr> <td>12T</td> <td>0.75-14 BSPT ISO 7; BS 21</td> <td>16T</td> <td>1.00-11 BSPT ISO 7; BS 21</td> </tr> <tr> <td></td> <td></td> <td>20P</td> <td>1.25-11.5 NPTF ANSI B1.20.3</td> </tr> <tr> <td></td> <td></td> <td>20S</td> <td>-20 SAE ISO 11926; SAE 1926</td> </tr> <tr> <td></td> <td></td> <td>20B</td> <td>1.25-11 BSPP ISO 1179; BS 2779</td> </tr> <tr> <td></td> <td></td> <td>20M</td> <td>M42 x 2.0 ISO 6149</td> </tr> <tr> <td></td> <td></td> <td>20T</td> <td>1.25-11 BSPT ISO 7; BS 21</td> </tr> </tbody> </table>	Port Threads				12P	0.75-14 NPTF ANSI B1.20.3	16P	1.00-11.5 NPTF ANSI B1.20.3	12S	-12 SAE ISO 11926; SAE 1926	16S	-16 SAE ISO 11926; SAE 1926	12B	0.75-14 BSPP ISO 1179; BS 2779	16B	1.00-11 BSPP ISO 1179; BS 2779	12M	M27 x 2.0 ISO 6149	16M	M33 x 2.0 ISO 6149	12T	0.75-14 BSPT ISO 7; BS 21	16T	1.00-11 BSPT ISO 7; BS 21			20P	1.25-11.5 NPTF ANSI B1.20.3			20S	-20 SAE ISO 11926; SAE 1926			20B	1.25-11 BSPP ISO 1179; BS 2779			20M	M42 x 2.0 ISO 6149			20T	1.25-11 BSPT ISO 7; BS 21
Material																																																																				
A	Aluminum - 6061-T6 3000 [†] psi • 20.7 MPa																																																																			
D	Ductile Iron - D4512 5000 [†] psi • 34.5 MPa																																																																			
Valve Pattern																																																																				
D08	ISO 4401-08-07 NFFPA T3.5.1-D08 See Tech Infomation																																																																			
Product Type																																																																				
TP	Tapping Plate																																																																			
Circuit																																																																				
PT	P and T ports provided																																																																			
AB	A and B ports provided																																																																			
Port Threads																																																																				
12P	0.75-14 NPTF ANSI B1.20.3	16P	1.00-11.5 NPTF ANSI B1.20.3																																																																	
12S	-12 SAE ISO 11926; SAE 1926	16S	-16 SAE ISO 11926; SAE 1926																																																																	
12B	0.75-14 BSPP ISO 1179; BS 2779	16B	1.00-11 BSPP ISO 1179; BS 2779																																																																	
12M	M27 x 2.0 ISO 6149	16M	M33 x 2.0 ISO 6149																																																																	
12T	0.75-14 BSPT ISO 7; BS 21	16T	1.00-11 BSPT ISO 7; BS 21																																																																	
		20P	1.25-11.5 NPTF ANSI B1.20.3																																																																	
		20S	-20 SAE ISO 11926; SAE 1926																																																																	
		20B	1.25-11 BSPP ISO 1179; BS 2779																																																																	
		20M	M42 x 2.0 ISO 6149																																																																	
		20T	1.25-11 BSPT ISO 7; BS 21																																																																	

For smaller ports, see previous page (p. 173).

D08 Tapping Plates

X and Y Port Tapping Plate

Tapping Plate hardware / interface seal kit is supplied. See page 179.1 for itemized list.



Specifications, descriptions, and dimensional data are subject to correction or change without notice or incurring obligation. Download latest catalog page revisions at www.daman.com.

Ordering Information

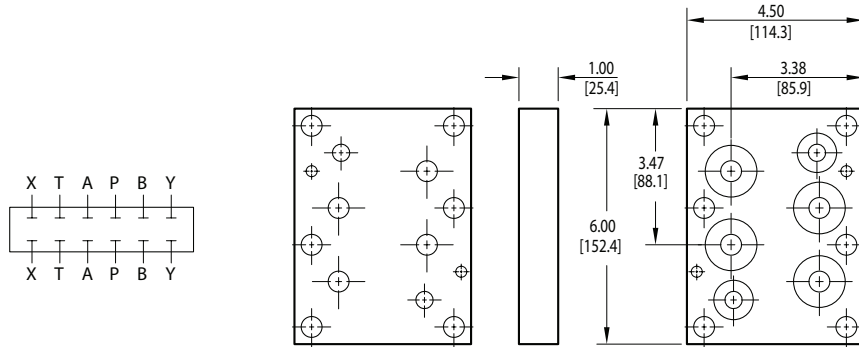
For [coating options](#) see pages 245-246.

Material	Valve Pattern	Product Type	Circuit	Port Threads	Thickness																																						
<table border="1"> <thead> <tr> <th colspan="2">Material</th> </tr> </thead> <tbody> <tr> <td>A</td> <td>Aluminum - 6061-T6 3000† psi • 20.7 MPa</td> </tr> <tr> <td>D</td> <td>Ductile Iron - D4512 5000† psi • 34.5 MPa</td> </tr> <tr> <td colspan="2">† Working pressure should be considered in accordance with ISO 4413 to determine appropriate material type.</td> </tr> </tbody> </table>	Material		A	Aluminum - 6061-T6 3000† psi • 20.7 MPa	D	Ductile Iron - D4512 5000† psi • 34.5 MPa	† Working pressure should be considered in accordance with ISO 4413 to determine appropriate material type.		<table border="1"> <thead> <tr> <th colspan="2">Valve Pattern</th> </tr> </thead> <tbody> <tr> <td>D08</td> <td>ISO 4401-08-07 NFPA T3.5.1-D08 See Tech Information</td> </tr> </tbody> </table>	Valve Pattern		D08	ISO 4401-08-07 NFPA T3.5.1-D08 See Tech Information	<table border="1"> <thead> <tr> <th colspan="2">Product Type</th> </tr> </thead> <tbody> <tr> <td>TP</td> <td>Tapping Plate</td> </tr> </tbody> </table>	Product Type		TP	Tapping Plate	<table border="1"> <thead> <tr> <th colspan="2">Circuit</th> </tr> </thead> <tbody> <tr> <td>XY</td> <td>X and Y ports provided</td> </tr> </tbody> </table>	Circuit		XY	X and Y ports provided	<table border="1"> <thead> <tr> <th colspan="2">Port Threads</th> </tr> </thead> <tbody> <tr> <td>4P</td> <td>0.25-18 NPTF ANSI B1.20.3</td> </tr> <tr> <td>4S</td> <td>-4 SAE ISO 11926; SAE 1926</td> </tr> <tr> <td>4B</td> <td>0.25-19 BSPP ISO 1179; BS 2779</td> </tr> <tr> <td>4M</td> <td>M10 x 1.0 ISO 6149</td> </tr> <tr> <td>4T</td> <td>0.25-19 BSPT ISO 7; BS 21</td> </tr> </tbody> </table>	Port Threads		4P	0.25-18 NPTF ANSI B1.20.3	4S	-4 SAE ISO 11926; SAE 1926	4B	0.25-19 BSPP ISO 1179; BS 2779	4M	M10 x 1.0 ISO 6149	4T	0.25-19 BSPT ISO 7; BS 21	<table border="1"> <thead> <tr> <th colspan="2">Thickness</th> </tr> </thead> <tbody> <tr> <td>150</td> <td>For 1.5" thickness</td> </tr> <tr> <td colspan="2">OMIT for standard 1" thickness</td> </tr> </tbody> </table>	Thickness		150	For 1.5" thickness	OMIT for standard 1" thickness	
Material																																											
A	Aluminum - 6061-T6 3000† psi • 20.7 MPa																																										
D	Ductile Iron - D4512 5000† psi • 34.5 MPa																																										
† Working pressure should be considered in accordance with ISO 4413 to determine appropriate material type.																																											
Valve Pattern																																											
D08	ISO 4401-08-07 NFPA T3.5.1-D08 See Tech Information																																										
Product Type																																											
TP	Tapping Plate																																										
Circuit																																											
XY	X and Y ports provided																																										
Port Threads																																											
4P	0.25-18 NPTF ANSI B1.20.3																																										
4S	-4 SAE ISO 11926; SAE 1926																																										
4B	0.25-19 BSPP ISO 1179; BS 2779																																										
4M	M10 x 1.0 ISO 6149																																										
4T	0.25-19 BSPT ISO 7; BS 21																																										
Thickness																																											
150	For 1.5" thickness																																										
OMIT for standard 1" thickness																																											

D08 Tapping Plates

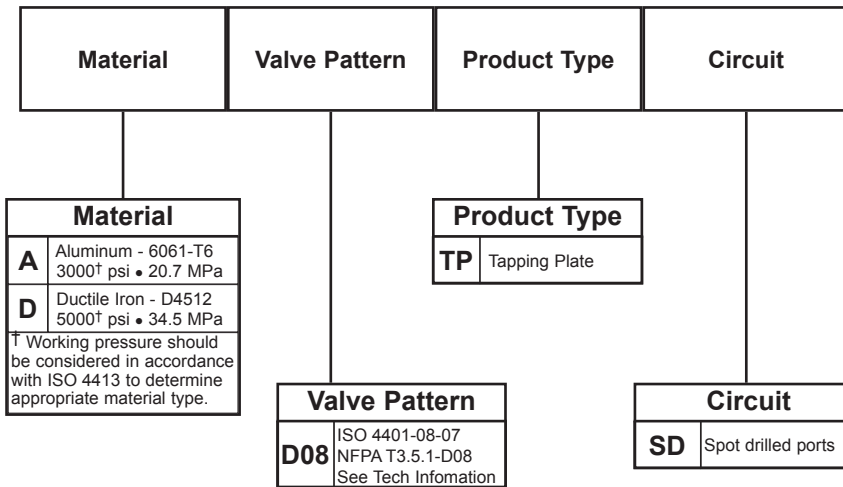
Spot Drilled Tapping Plate

Tapping Plate hardware / interface seal kit is supplied. See page 179.1 for itemized list.



Specifications, descriptions, and dimensional data are subject to correction or change without notice or incurring obligation. Download latest catalog page revisions at www.daman.com.

Ordering Information

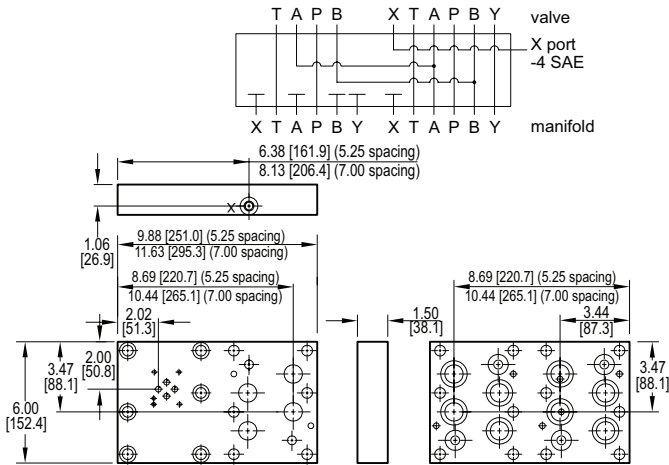


For **coating options** see pages 245-246.

D08 Tapping Plates

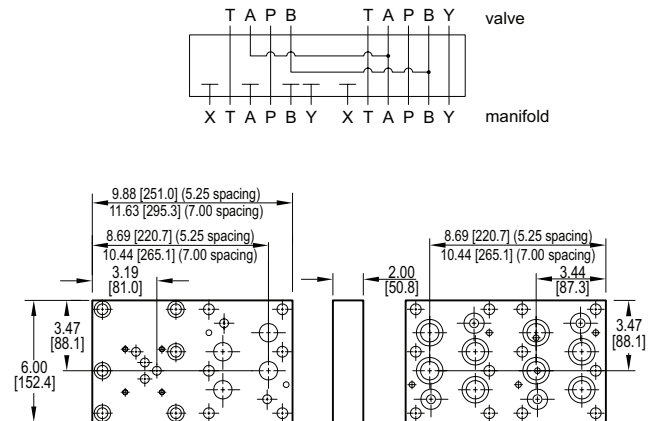
D03-D08 Two Station Tapping Plate A₁ common to A₂, B₁ common to B₂

D03 Valve mtg: UNC #10-24 x 0.62 [16] DP
Tapping Plate hardware / interface seal kit is supplied. * See page 179.1 for itemized list.
 * (6) bolts are user supplied and must pass through valve and tapping plate to thread into manifold.



D05-D08 Two Station Tapping Plate A₁ common to A₂, B₁ common to B₂

D05 Valve mtg: UNC 0.25-20 x 0.75 [19] DP
Tapping Plate hardware / interface seal kit is supplied. * See page 179.1 for itemized list.
 * (6) bolts are user supplied and must pass through valve and tapping plate to thread into manifold.



Specifications, descriptions, and dimensional data are subject to correction or change without notice or incurring obligation. Download latest catalog page revisions at www.daman.com.

Ordering Information

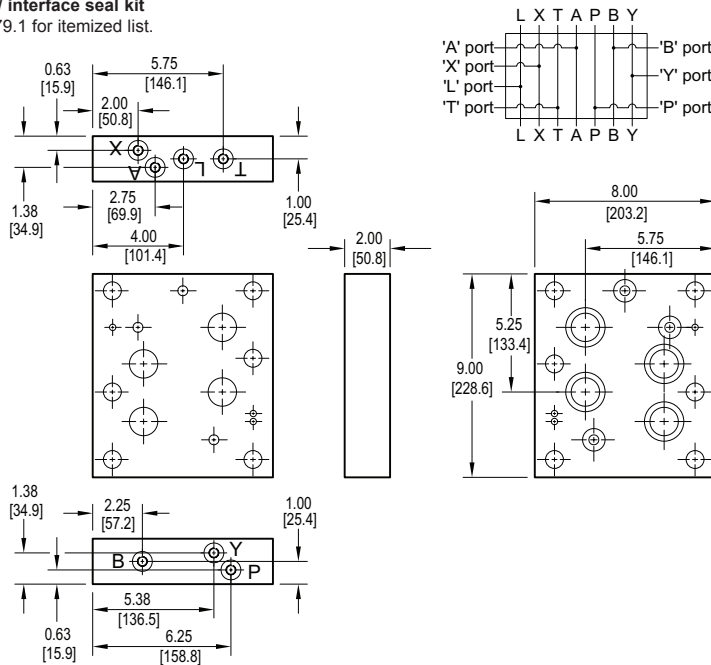
For **coating options** see pages 245-246.

Material	Valve Pattern Station 1	Valve Pattern Station 2	Product Type	No. of Stations	Valve Spacing	Circuit																														
<table border="1"> <thead> <tr> <th colspan="2">Material</th> </tr> </thead> <tbody> <tr> <td>A</td> <td>Aluminum - 6061-T6 3000† psi • 20.7 MPa</td> </tr> <tr> <td>D</td> <td>Ductile Iron - D4512 5000† psi • 34.5 MPa</td> </tr> <tr> <td colspan="2">† Working pressure should be considered in accordance with ISO 4413 to determine appropriate material type.</td> </tr> </tbody> </table>	Material		A	Aluminum - 6061-T6 3000† psi • 20.7 MPa	D	Ductile Iron - D4512 5000† psi • 34.5 MPa	† Working pressure should be considered in accordance with ISO 4413 to determine appropriate material type.			<table border="1"> <thead> <tr> <th colspan="2">Valve Station 2</th> </tr> </thead> <tbody> <tr> <td>D08</td> <td>ISO 4401-08-07 NFPA T3.5.1-D08 See Tech Information</td> </tr> </tbody> </table>	Valve Station 2		D08	ISO 4401-08-07 NFPA T3.5.1-D08 See Tech Information	<table border="1"> <thead> <tr> <th colspan="2">Product Type</th> </tr> </thead> <tbody> <tr> <td>TP</td> <td>Tapping Plate</td> </tr> </tbody> </table>	Product Type		TP	Tapping Plate	<table border="1"> <thead> <tr> <th colspan="2">No. of Stations</th> </tr> </thead> <tbody> <tr> <td>02</td> <td>02 Stations</td> </tr> </tbody> </table>	No. of Stations		02	02 Stations	<table border="1"> <thead> <tr> <th colspan="2">Valve Spacing</th> </tr> </thead> <tbody> <tr> <td>5</td> <td>5.25 inch 133.4 mm</td> </tr> <tr> <td>7</td> <td>7.00 inch 177.8 mm</td> </tr> </tbody> </table>	Valve Spacing		5	5.25 inch 133.4 mm	7	7.00 inch 177.8 mm	<table border="1"> <thead> <tr> <th colspan="2">Circuit</th> </tr> </thead> <tbody> <tr> <td>AB</td> <td>A1 common to A2 B1 common to B2</td> </tr> </tbody> </table>	Circuit		AB	A1 common to A2 B1 common to B2
Material																																				
A	Aluminum - 6061-T6 3000† psi • 20.7 MPa																																			
D	Ductile Iron - D4512 5000† psi • 34.5 MPa																																			
† Working pressure should be considered in accordance with ISO 4413 to determine appropriate material type.																																				
Valve Station 2																																				
D08	ISO 4401-08-07 NFPA T3.5.1-D08 See Tech Information																																			
Product Type																																				
TP	Tapping Plate																																			
No. of Stations																																				
02	02 Stations																																			
Valve Spacing																																				
5	5.25 inch 133.4 mm																																			
7	7.00 inch 177.8 mm																																			
Circuit																																				
AB	A1 common to A2 B1 common to B2																																			
	<table border="1"> <thead> <tr> <th colspan="2">Valve Station 1</th> </tr> </thead> <tbody> <tr> <td>D03</td> <td>ISO 4401-03-02 NFPA T3.5.1-D03 See Tech Information</td> </tr> <tr> <td>D05</td> <td>ISO 4401-05-04 NFPA T3.5.1-D05 See Tech Information</td> </tr> </tbody> </table>	Valve Station 1		D03	ISO 4401-03-02 NFPA T3.5.1-D03 See Tech Information	D05	ISO 4401-05-04 NFPA T3.5.1-D05 See Tech Information																													
Valve Station 1																																				
D03	ISO 4401-03-02 NFPA T3.5.1-D03 See Tech Information																																			
D05	ISO 4401-05-04 NFPA T3.5.1-D05 See Tech Information																																			

D10 Tapping Plates

P, T, A, B, X, Y, and L Port Tapping Plate

Tapping Plate hardware / interface seal kit is supplied. See page 179.1 for itemized list.



Specifications, descriptions, and dimensional data are subject to correction or change without notice or incurring obligation. Download latest catalog page revisions at www.daman.com.

Ordering Information

Material	Valve Pattern	Product Type	Circuit	Port Threads																										
<table border="1"> <thead> <tr> <th colspan="2">Material</th> </tr> </thead> <tbody> <tr> <td>A</td> <td>Aluminum - 6061-T6 3000[†] psi • 20.7 MPa</td> </tr> <tr> <td>D</td> <td>Ductile Iron - D4512 5000[†] psi • 34.5 MPa</td> </tr> <tr> <td colspan="2"> [†] Working pressure should be considered in accordance with ISO 4413 to determine appropriate material type. </td> </tr> </tbody> </table>	Material		A	Aluminum - 6061-T6 3000 [†] psi • 20.7 MPa	D	Ductile Iron - D4512 5000 [†] psi • 34.5 MPa	[†] Working pressure should be considered in accordance with ISO 4413 to determine appropriate material type.		<table border="1"> <thead> <tr> <th colspan="2">Valve Pattern</th> </tr> </thead> <tbody> <tr> <td>D10</td> <td>ISO 4401-10-08 NFPA T3.5.1-D10 See Tech Infomation</td> </tr> </tbody> </table>	Valve Pattern		D10	ISO 4401-10-08 NFPA T3.5.1-D10 See Tech Infomation	<table border="1"> <thead> <tr> <th colspan="2">Product Type</th> </tr> </thead> <tbody> <tr> <td>TP</td> <td>Tapping Plate</td> </tr> </tbody> </table>	Product Type		TP	Tapping Plate	<table border="1"> <thead> <tr> <th colspan="2">Circuit</th> </tr> </thead> <tbody> <tr> <td>PTAB</td> <td>P, T, A, B, X, Y, and L ports provided</td> </tr> </tbody> </table>	Circuit		PTAB	P, T, A, B, X, Y, and L ports provided	<table border="1"> <thead> <tr> <th colspan="2">Port Threads</th> </tr> </thead> <tbody> <tr> <td>4P</td> <td>0.25-18 NPTF ANSI B1.20.3</td> </tr> <tr> <td>4S</td> <td>-4 SAE ISO 11926; SAE 1926</td> </tr> </tbody> </table>	Port Threads		4P	0.25-18 NPTF ANSI B1.20.3	4S	-4 SAE ISO 11926; SAE 1926
Material																														
A	Aluminum - 6061-T6 3000 [†] psi • 20.7 MPa																													
D	Ductile Iron - D4512 5000 [†] psi • 34.5 MPa																													
[†] Working pressure should be considered in accordance with ISO 4413 to determine appropriate material type.																														
Valve Pattern																														
D10	ISO 4401-10-08 NFPA T3.5.1-D10 See Tech Infomation																													
Product Type																														
TP	Tapping Plate																													
Circuit																														
PTAB	P, T, A, B, X, Y, and L ports provided																													
Port Threads																														
4P	0.25-18 NPTF ANSI B1.20.3																													
4S	-4 SAE ISO 11926; SAE 1926																													

For **coating options** see pages 245-246.

NOTE: Page 178-179 "Flange Mount Bodies" moved to pp. 197.15-197.16.

Tapping Plate Mounting Hardware

AVAILABLE FOR PURCHASE. ORDERING INFORMATION: REMOVE ASTERISK AND ADD "185-" TO BEGINNING OF PART NUMBER LISTED. CONSULT PRICE LIST FOR PRICING.

Part no.	Catalog pg.	Viton O-rings 90 durometer	Locating Pins	Plugs	Mounting Screws
* D03 TP PT 4P * D03 TP PT 4S * D03 TP PT 4B, M, T * D03 TP AB 4P * D03 TP AB 4S * D03 TP AB 4B, M, T * D03 TP L 4*	158	(4) -012 +(1) -008 (L port only)	(1) 0.12 dia x 0.25 long	(1) 0.25-18 NPTF LSPP (1) -4 SAE hex socket plug n/a (1) 0.325-18 NPTF LSPP (1) -4 SAE hex socket plug n/a n/a	n/a
* D03 TP PT 6P * D03 TP PT 6S * D03 TP PT 6B, M, T * D03 TP AB 6P * D03 TP AB 6S * D03 TP AB 6B, M, T	158.1	(4) -012	(1) 0.12 dia x 0.25 long	(1) 0.38-18 NPTF LSPP (1) -6 SAE hex socket plug n/a (1) 0.38-18 NPTF LSPP (1) -6 SAE hex socket plug n/a	n/a
* D03 TP PT 8P * D03 TP PT 8S * D03 TP PT 8B, M, T * D03 TP AB 8P * D03 TP AB 8S * D03 TP AB 8B, M, T	158.1	(4) -012	(1) 0.12 dia x 0.25 long	(1) 0.50-14 NPTF LSPP (1) -8 SAE hex socket plug n/a (1) 0.50-14 NPTF LSPP (1) -8 SAE hex socket plug n/a	n/a
* D03 TP PT 12P * D03 TP PT 12S * D03 TP PT 12B, M, T * D03 TP AB 12P * D03 TP AB 12S * D03 TP AB 12B, M, T	158.1	(4) -012	(1) 0.12 dia x 0.25 long	(1) 0.75-14 NPTF LSPP (1) -12 SAE hex socket plug n/a (1) 0.75-14 NPTF LSPP (1) -12 SAE hex socket plug n/a	n/a
* D03 TP SD * D03 TP OP * D03 TP BTV	159	(4) -012	(1) 0.12 dia x 0.25 long	n/a (2) 0.06-27 NPTF LSPP n/a	n/a
* D03 TP 02 * AB	160	(8) -012	(2) 0.12 dia x 0.25 long	n/a	n/a
* D05 TP PT 4P * D05 TP PT 4S * D05 TP PT 4B, M, T * D05 TP AB 4P * D05 TP AB 4S * D05 TP AB 4B, M, T * D05 TP L 4*	161	(5) -014 +(1) -011 (L port only)	n/a	(1) 0.25-18 NPTF LSPP (1) -4 SAE hex socket plug n/a (1) 0.25-18 NPTF LSPP (1) -4 SAE hex socket plug n/a n/a	n/a
* D05 TP PT 6P * D05 TP PT 6S * D05 TP PT 6B, M, T * D05 TP AB 6P * D05 TP AB 6S * D05 TP AB 6B, M, T	161.1	(5) -014	n/a	(1) 0.38-18 NPTF LSPP (1) -6 SAE hex socket plug n/a (1) 0.38-18 NPTF LSPP (1) -6 SAE hex socket plug n/a	n/a
* D05 TP PT 8P * D05 TP PT 8S * D05 TP PT 8B, M, T * D05 TP AB 8P * D05 TP AB 8S * D05 TP AB 8B, M, T	161.1	(5) -014	n/a	(1) 0.50-14 NPTF LSPP (1) -8 SAE hex socket plug n/a (1) 0.50-14 NPTF LSPP (1) -8 SAE hex socket plug n/a	n/a
* D05 TP PT 12P * D05 TP PT 12S * D05 TP PT 12B, M, T * D05 TP AB 12P * D05 TP AB 12S * D05 TP AB 12B, M, T	161.1	(5) -014	n/a	(1) 0.75-14 NPTF LSPP (1) -12 SAE hex socket plug n/a (1) 0.75-14 NPTF LSPP (1) -12 SAE hex socket plug n/a	n/a

Tapping Plate Mounting Hardware (cont.)

AVAILABLE FOR PURCHASE. ORDERING INFORMATION: REMOVE ASTERISK AND ADD "185-" TO BEGINNING OF PART NUMBER LISTED. CONSULT PRICE LIST FOR PRICING.

Part no.	Catalog pg.	Viton O-rings 90 durometer	Locating Pins	Plugs	Mounting Screws
* D05 TP SD * D05 TP BTV	162	(5) -014	n/a	n/a	n/a
* D05 TP 02 * AB	163	(10) -014	n/a	n/a	n/a
* D05H TP ** 4P * D05H TP ** 4S * D05H TP ** 4B, M, T	164	(2) -011, (5) -014	n/a	(1) 0.25-18 NPTF LSPP (1) -4 SAE hex socket plug n/a	n/a
* D05HE TP ** 4P * D05HE TP ** 4S * D05HE TP ** 4B, M, T	165	(7) -014	n/a	(1) 0.25-18 NPTF LSPP (1) -4 SAE hex socket plug n/a	n/a
* D05H TP XY 4P * D05H TP XY 4S * D05H TP XY 4B, M, T * D05H TP SD	166 166 166 167	(1) -011, (6) -014, and (1) -016	n/a	(3) 0.25-18 NPTF LSPP (3) -4 SAE hex socket plug n/a n/a	n/a
* D05H TP 02 * AB * D05HE TP 02 * AB	168	(4) -011, (10) -014 (14) -014	n/a	n/a	n/a
* D07 TP ** 4P * D07 TP ** 4S * D07 TP ** 4B, M, T	169	(2) -011, (4) -210	(2) 0.12 dia x 0.25 long	(1) 0.25-18 NPTF LSPP (1) -4 SAE hex socket plug n/a	n/a
* D07 TP ** 12P * D07 TP ** 12S * D07 TP ** 12B, M, T	169.1	(2) -011, (4) -210	(2) 0.12 dia x 0.25 long	(1) 0.75-14 NPTF LSPP (1) -12 SAE hex socket plug n/a	n/a
* D07 TP ** 16P * D07 TP ** 16S * D07 TP ** 16B, M, T	169.1	(2) -011, (4) -210	(2) 0.12 dia x 0.25 long	(1) 01.00-11.5 NPTF LSPP (1) -16 SAE hex socket plug n/a	n/a
* D07 TP XY 4P * D07 TP XY 4S * D07 TP XY 4B, M, T * D07 TP PTABXY4P * D07 TP PTABXY4S * D07 TP PTABXY4B,M,T * D07 TP SD	170 170 170 170.1 170.1 170.1 171	(2) -011, (4) -210	(2) 0.12 dia x 0.25 long	(3) 0.25-18 NPTF LSPP (3) -4 SAE hex socket plug n/a (5) 0.25-18 NPTF LSPP (5) -4 SAE hex socket plug n/a n/a	n/a
* D05 D07 TP 02 4 AB	172	(4) -011, (8) -210	(4) 0.12 dia x 0.25 long	n/a	(1) UNC 0.25-20 x 2.00 SHCS & (4) 0.38-16 x 2.00 long SHCS
* D08 TP ** 4P * D08 TP ** 4S * D08 TP ** 4B, M, T	173	(2) -210, (4) -215	(2) 0.25 dia x 0.50 long	(1) 0.25-18 NPTF LSPP (1) -4 SAE hex socket plug n/a	n/a
* D08 TP ** 12P * D08 TP ** 12S * D08 TP ** 12B, M, T	173.1	(2) -210, (4) -215	(2) 0.25 dia x 0.50 long	(1) 0.75-14 NPTF LSPP (1) -12 SAE hex socket plug n/a	n/a
* D08 TP ** 16P * D08 TP ** 16S * D08 TP ** 16B, M, T	173.1	(2) -210, (4) -215	(2) 0.25 dia x 0.50 long	(1) 1.00-11.5 NPTF LSPP (1) -4 SAE hex socket plug n/a	n/a
* D08 TP ** 20P * D08 TP ** 20S * D08 TP ** 20B, M, T	173.1	(2) -210, (4) -215	(2) 0.25 dia x 0.50 long	(1) 1.25-11.5 NPTF LSPP (1) -4 SAE hex socket plug n/a	n/a
* D08 TP XY 4P * D08 TP XY 4S * D08 TP XY 4B, M, T * D08 TP SD	174 174 174 175	(2) -210, (4) -215	(2) 0.25 dia x 0.50 long	(3) 0.25-18 NPTF LSPP (3) -4 SAE hex socket plug n/a n/a	n/a
* D03 D08 TP 02 * AB * D05 D08 TP 02 * AB	176	(4) -210, (8) -215	(4) 0.25 dia x 0.50 long	n/a	(6) UNC 0.50-13 x 1.50 SHCS (6) UNC 0.50-13 x 2.00 SHCS
* D10 TP PTAB 4*	177	(3) -210, (4) -222	(2) 0.25 dia x 0.50 long	n/a	n/a