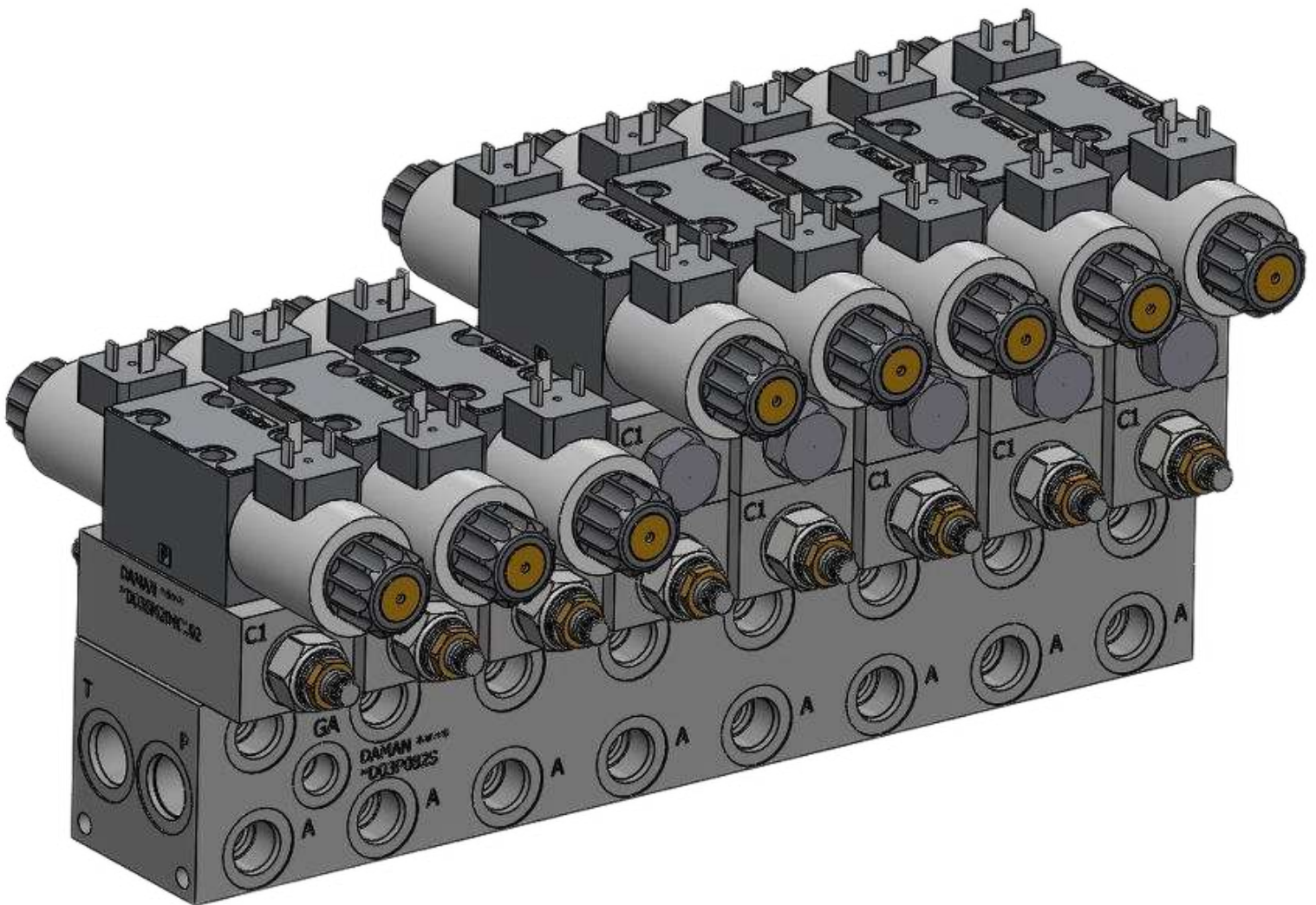


Hydraulic Valve Manifold Build Program



The MFCP Build Program

The modular hydraulic manifold system is the ideal solution for anyone who needs a flexible, expandable system that utilizes standardized valves yet is customized for each machine's needs.

Save Time

- One part number orders the entire manifold assembly
- MFCP stocks most common valves and manifolds for fast delivery

Design Assistance

- With years of experience, MFCP engineers are industry certified with a deep understanding and knowledge about hydraulic systems
- Entire assembly schematics available upon request

Quality Assurance

- MFCP technicians are factory trained experts with years of hydraulic experience
- You can be sure that you're getting a quality product with all assembled manifolds because they are inspected and tested by our team before being shipped to you.

The MFCP Advantage

Motion & Flow Control Products is a team of engineers, technicians, and salespeople that work together to support the production and implementation of your hydraulic and machine controls.

MFCP specializes in bringing innovative solutions into the controls that operate your manufacturing processes. We do this by establishing a collaborative relationship, sharing expert advice, and to deliver solutions based on the customer's requirements.

We offer OEM scale or one-of-a-kind hydraulic solutions to improve efficiency and maximize profitability for your business from start-up companies with limited resources or established manufacturers seeking new technology or competitive edge.

Standard Valves

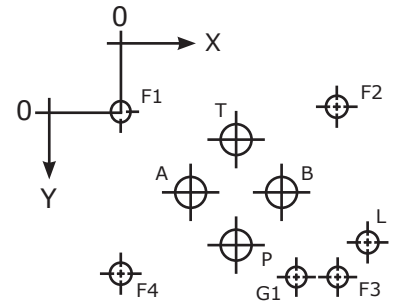


D03 Valves

- Direct Operated
- Nominal Flow – 10 GPM
- Spool / Manufacture Specific
- NFPA D03
- CETOP 3
- NG6

D03

ISO 4401-03-02-0-05
NFPA T3.5.1 R2-2002 D03

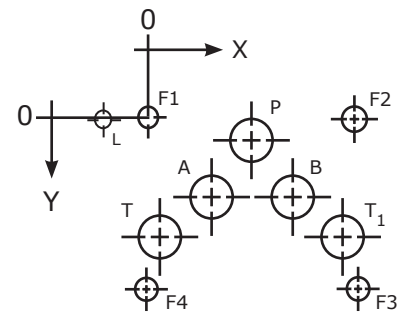


D05 Valves

- Direct Operated
- Nominal Flow – 20 GPM
- Spool / Manufacture Specific
- NFPA D05
- CETOP 5
- NG10

D05

ISO 4401-05-04-0-05
NFPA T3.5.1 R2-2002 D05

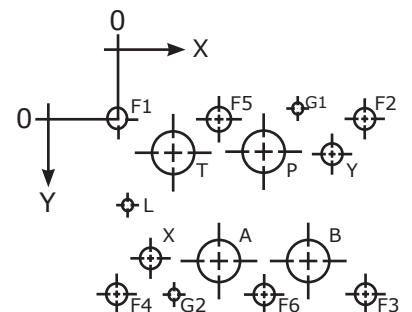


D08 Valves

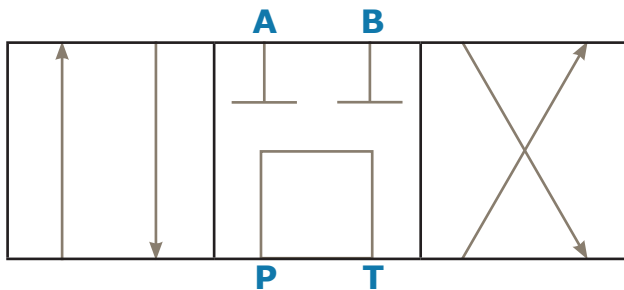
- Pilot Operated
- Nominal Flow – 60 GPM
- Spool / Manufacture Specific
- NFPA D08
- CETOP 8
- NG25

D08

ISO 4401-08-08-0-05
NFPA T3.5.1 R2-2002 D08



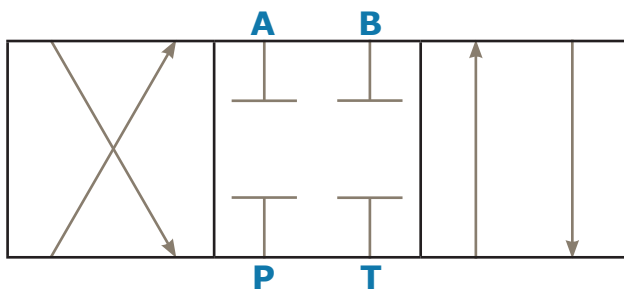
Common Valve Functions



4/3 Tandem Center

Typical Applications:

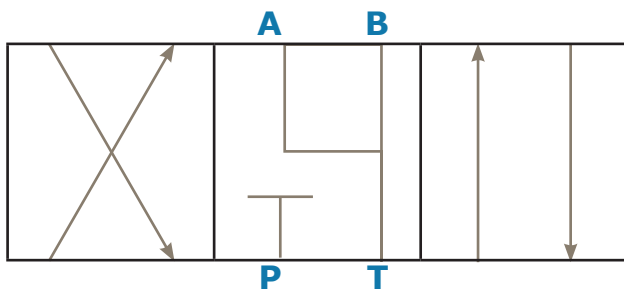
- Fixed Displacement Pump
- Cylinder Application No load holding



4/3 Closed Center

Typical Applications:

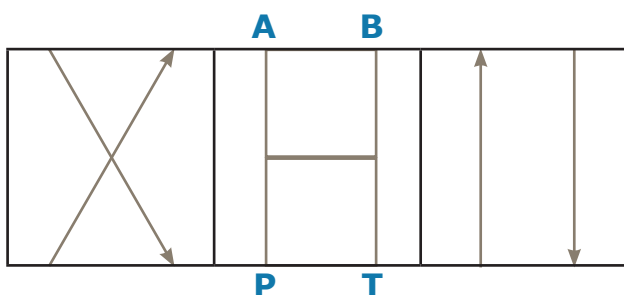
- Pressure Compensated Pump
- Cylinder Application No load holding



4/3 Float Center

Typical Applications:

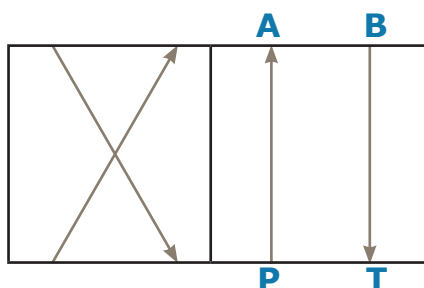
- Pressure Compensated Pump
- Motor Application
- Cylinder Application With Load Holding



4/3 Open Center

Typical Applications:

- Fixed Displacement Pump
- Motor Application
- Cylinder Application With Load Holding



4/2 Spring Offset

Typical Applications:

- Full Extend / Full Retract of Cylinder
- Motor Rotation control

Sandwich Modules

The modular hydraulic manifold system is the ideal solution for anyone who needs a flexible, expandable system that utilizes standardized valves yet is customized for each machine's needs.



Sandwich Modules provide

- Flexible Design
- Reduced Leakage
- Increase Response Times
- Less Pressure Loss
- Reduced Space
- Easier Maintenance

Common Modules

- Flow Control - Port A, B, A & B – Speed Control
- Counterbalance for load holding applications
- PO Check Valves
- Pressure Reducing
- Pressure Relief



Wiring/Operator Options



Deutsch Style



DIN Style



Conduit Style



Manual Style

Wiring Connections

- Conduit
- Din
- Deutsch
- *Additional connections available per request*

Voltage Options

- 12VDC
- 24VDC
- 120VAC
- *Additional voltages available per request*



Wiring Accessories

How to Order

Identify each valve station function or application, and control needed.

Example:

Valve Size	D03
Stations	4
Pressure Rating	3000 PSI
Relief Valve	Yes (Set a 2500 PSI)
Electrical	DIN

Valve Stations Available

- D03 - Standard options up to 13
- D05 - Standard options up to 13
- D08 - Standard options up to 7

Pressure Rating

- 3000 PSI - Aluminum
- 5000 PSI - Ductile Steel

Pressure Relief Valve

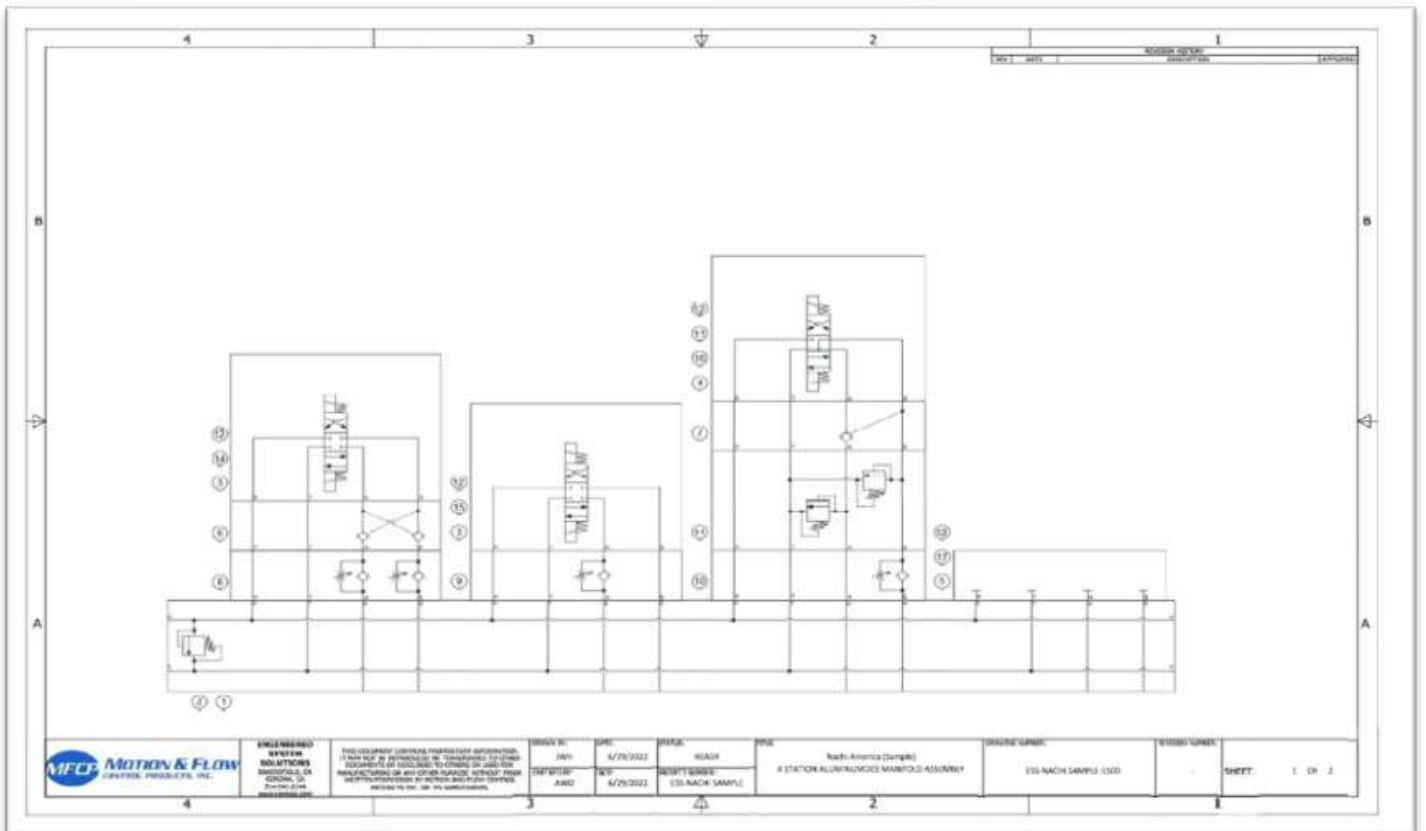
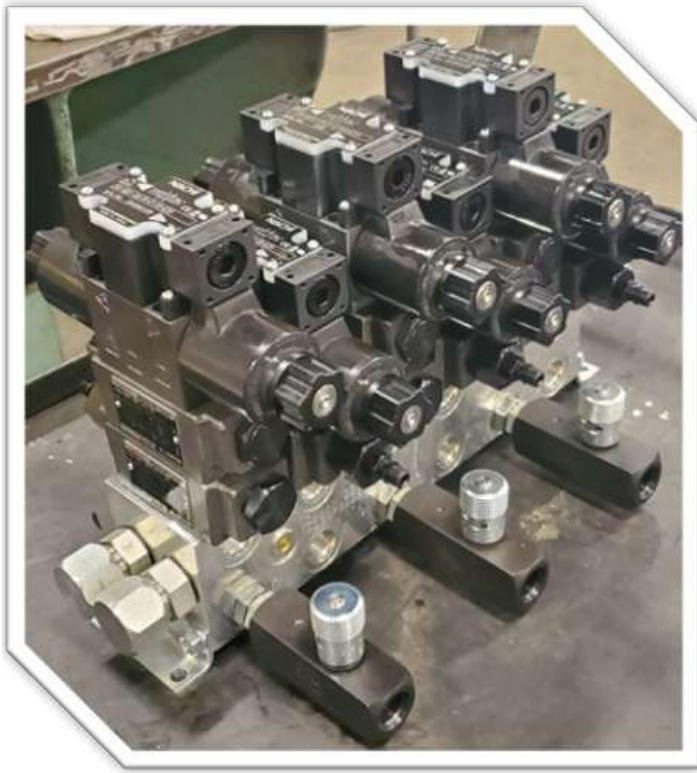
- Yes - Preset, Adjustable
- No - Already in System

Electrical Connection

- Conduit
- DIN Connector
- Deutsch
- Other – Upon Request

Station	Application/Function	Flow Control	PO Check	Counter Balance	Pressure Relief	Pressure Reducing
1	Double Acting Cylinder No Load Holding	Yes	No	No	No	No
2	Double Acting Cylinder With Load Holding	Yes	Yes	No	No	Yes, P Port
3	Double Acting Cylinder No Load Holding	Yes	No	No	No	No
4	Bidirectional Motor No Load Holding	No	No	No	No	No
5						
6						
7						
8						

Examples



Hydraulic Components



Hydraulic Cylinders



Most Popular
NFPA
Compact
Large Bore
Heavy Duty

Round Body
ISO
Electrohydraulic
Custom
Sensors

Gauges & Measurement



Flow Meters
Gauges Isolators
Level Indicators

Thermometers
Pressure

Hydraulic Motors



Gear
LSHT
Fixed
Variable
Radial Piston

High Speed
Bent Axis
Brakes
Clutches
Winches

Heat Exchanges & Chillers



Air Oil Coolers
Water Cooled
Water Oil

Chillers
Mobile
Accessories

Hydraulic Rotary Actuators



Vane
Helical

Rack & Pinion
Custom

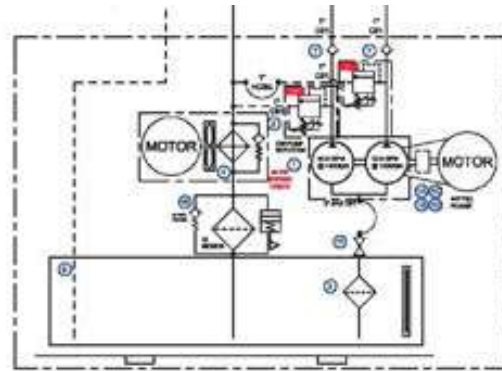
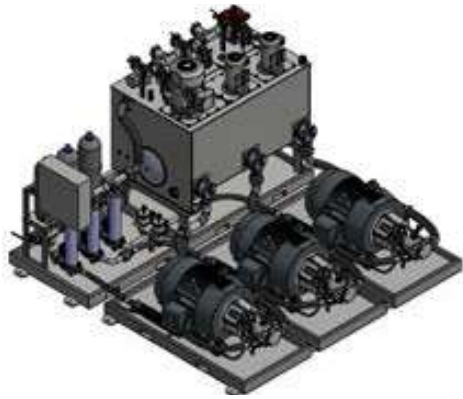
Accumulators



Piston
Bladder
Diaphragm
Dampers
Gas Bottles

Isolators
Charge Kits
Safety Equip
Metal Bellows

Hydraulic Systems



Fixed Displacement Pumps



Most Popular	Bent Axis
Gear	Screw
Multiple Gear	Radial
Vane	Hybrid
Piston	Hydrostatic

Directional Control Valves



Most Popular	Cam
Solenoid	Air Pilot
Proportional	Hydraulic Pilot
Servo	Sandwich
Lever	Manifolds

Variable Displacement Pumps



Piston
Vane
Bent Axis

Cartridge Valves



Solenoid	Flow Control
Proportional	Load Controls
Directional Control	Manual Valves
Pressure Control	Check
Shuttle	

Reservoirs



Steel	Filler Breathers
Aluminum	Diffusers
Stainless Steel	Strainers
Endcovers	Isolations
Trays/Stand	

Hydraulic System



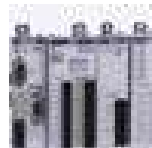
Relief	Proportional
Flow Control	Sandwich
Pressure Control	Bali
Directional Control	Check
Shuttle	

Hydraulic Filters



Low Pressure	Suction
Medium Pressure	Spin-On
High Pressure	Inline
Water Removal	Duplex
Return Line	Elements

Electronics



Motion Controllers	Pump Controls
Display Units	Signal Converters
PID Controls	Sensors
Safety	Transducers & Switches

Hydraulic Repairs



REMANUFACTURING

ALL MAJOR BRANDS
100% TESTED
ONE YEAR WARRANTY
Most Quotes
in 48 hours or less

- Cylinders
- Pumps & Motors
- Valves
- Accumulators
- High-Pressure Hydraulics
- Field Service

Repair or Remanufacture?

TRADITIONAL REPAIR

Fix, mend or restore to working condition.
Normally includes little or no warranty.

MFCP REMANUFACTURE

Remanufacture products to a condition which meets or exceeds specification of the original manufactured product.

**Includes a 1 Year Warranty.
100% Tested.**



Products



Actuators, Stages & Cylinders	Filtration	Pneumatics
Automation Components	Gauges & Measurement	O-Rings & Seals
Compressed Air Equipment	Hose, Tubing & Fittings	Sensors & Switches
Controls	Hydraulics	Tools & Assembly
Drives & Motors	Machine Safety	Vacuum
Electrical	Mobile & Truck	Valves

Services



Seal Kitting Services	Rental Units/Equipment
Hose Kitting Services	Vendor Managed Inventory
Cylinder Interchanges	
Hydraulic Component Repair	
Tube Bending and Fabrication	

Engineered Solutions



Control Systems & Enclosures	Custom Hydraulic Manifolds	System Design
Standard Hydraulic Power Units	Pneumatic Systems & Assemblies	Schematics
Custom Hydraulic Power Units	Seal Engineering	Custom Machine Guarding
	System Installation	Workstations & Workcells

Technologies



Automation	Hose, Tubing & Fittings	Seals & Engineered Materials
Compressed Air & Pneumatics	Hydraulics	Industrial Hose
Controls/Control Panel	Mobile Controls & Hydraulics	
Electromechanical	Machine Safety	
Filtration		

Locations



We support our customers in the Western United States with a growing number of locations. When you visit one of our ParkerStores, you can count on quick, friendly service from one of our store professionals.

All of our ParkerStores stock products provide hose assemblies while you wait, adapters, and many Parker fluid connector products. Individual stores offer additional products and services to support the industries in their specific locations.